

4

3

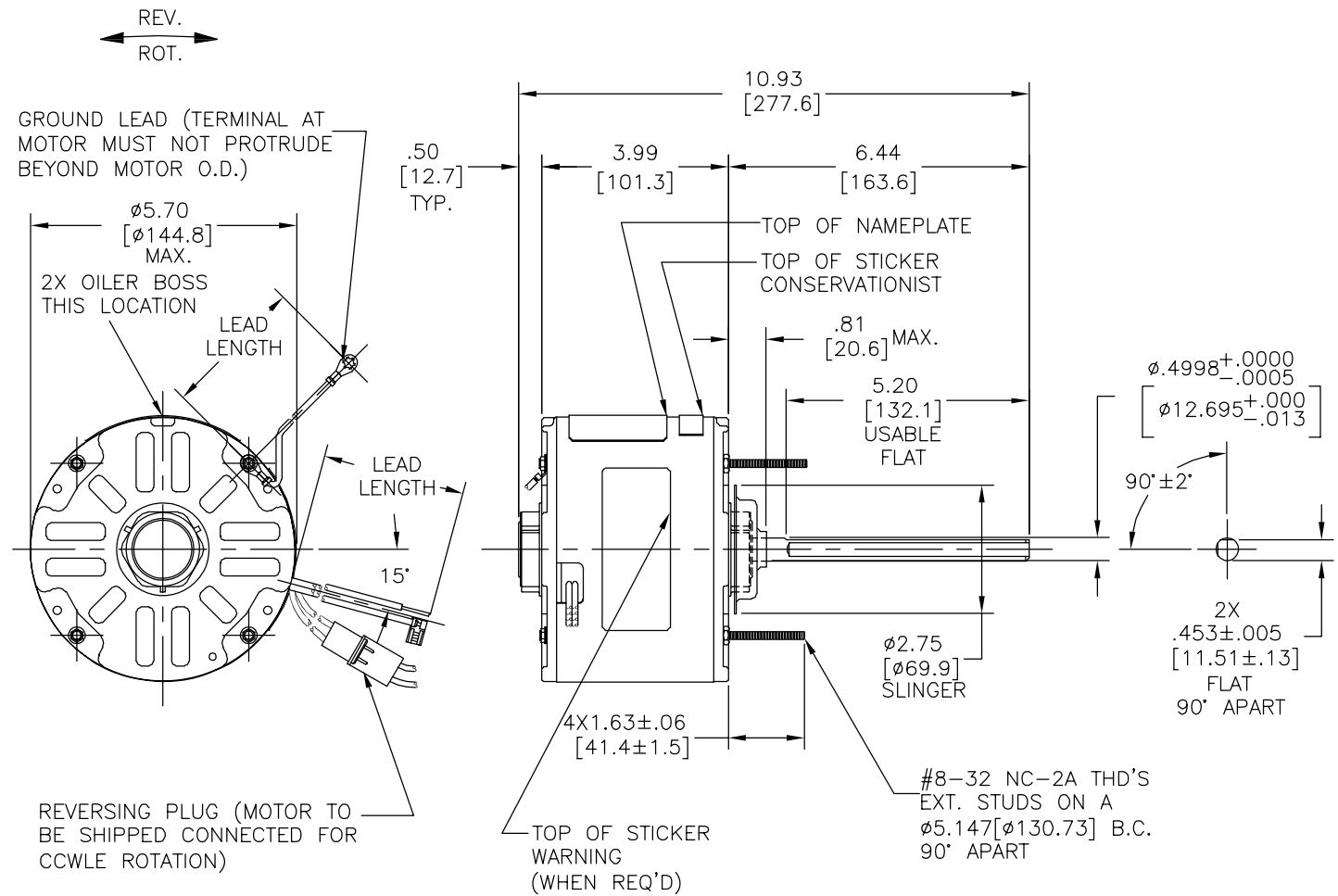
2

1

GENERAL INFORMATION:

SHAFT RUNOUT: .001 [.03] T.I.R. PER INCH LENGTH OF EXTENSION
 END PLAY: .010 TO .063 [.25 TO 1.60]
 BEARINGS: SLEEVE
 MOUNTING POSITION: HORIZONTAL OR VERTICAL SHAFT-UP
 ELECTRICAL DATA:
 OVERLOAD PROTECTOR: AUTOMATIC RESET (T.I. 7AM 036)
 LINE LEADS: NO. 18 GA., .03 [.8] THK. 125°C INSUL.
 REVERSING LEADS: NO. 18 GA., .03 [.8] THK. CROSS-LINKED. POLYETHELENE, 125°C INSUL.
 GROUND LEAD: NO. 18 GA., .03 [.8] THK. (GREEN) INSUL.

NOTES:
 1. 2X MOUNTING RING 680491-003 TO BE PACKED WITH MOTOR



REVERSING PLUG (MOTOR TO BE SHIPPED CONNECTED FOR CCWLE ROTATION)

LEAD DATA		
COLOR	LENGTH	TERMINAL OR STRIP LENGTH
BLACK/WHITE	3.0/5.0 [76/127]	REVERSING PLUG
BLACK	26.0/28.0 [660/711]	.50 [12.7] SKIN
YELLOW	26.0/28.0 [660/711]	.50 [12.7] SKIN
BROWN/WHITE	26.0/28.0 [660/711]	.25 [6.4] FLAG
BROWN	26.0/28.0 [660/711]	.25 [6.4] FLAG
GREEN (GROUND)	12.0/13.0 [305/330]	#10 EYELET

REGAL-BELOIT CORPORATION (RBC) PROVIDES TECHNICAL ASSISTANCE TO OUR CUSTOMERS IN SEVERAL AREAS. SINCE RBC DOES NOT RECEIVE ALL DATA CONCERNING THE USE AND APPLICATION OF THE MOTOR, THE SUITABILITY OF THE MOTOR FOR THE APPLICATION MUST BE DETERMINED BY THE CUSTOMER.
 DIMENSIONS WITHOUT TOLERANCES ARE FOR REFERENCE ONLY.

ENCLOSURE	
END FRAME - LE	OPEN
MAIN FRAME - LE	ENCLOSED
END FRAME - OLE	ENCLOSED
MAIN FRAME - OLE	ENCLOSED

CUSTOMER	DISTRIBUTION SERVICE

NAMEPLATE DATA:	EXTERNAL CONNECTION DIAGRAM
MODEL NO.: F48SF6L5 CUST. P/N: FS1026S HP: 1/4 ROT.: REVERSIBLE RPM: 1075 TYPE: UF FRAME: 48Y VOLTS: 208-230 PH: 1 AMPS: 1.8 HZ: 60 INS.: B AMB.: 60°C DUTY: AIR OVER CODE: - CAP.: 5 MFD/370 V ENCL: SEMI-ENCL. UL LOGO CSA LOGO THERMALLY PROTECTED	

PERFORMANCE CURVE NO.	TORQUE @1075 RPM (25°C)	APPROVED SAMPLE	UL COMPONENT FILE #	CCN #	CSA FILE #	CLASS #
C22785	27 6 OZ. FT.	EX11133	E46412	PRGY2	LR43341	4211-01

DRAWING REVISION	REVISION BY	DATE
A	J. COX	11-20-2013
ECC	APPROVED BY	DATE
ECC-0041020	C. McREYNOLDS	11-20-2013

COPYRIGHT REGAL-BELOIT CORPORATION. ALL RIGHTS RESERVED. PROPRIETARY AND CONFIDENTIAL INFORMATION - THIS DOCUMENT IS THE PROPERTY OF REGAL-BELOIT CORPORATION AND CONTAINS PROPRIETARY INFORMATION. ANY PERSON, CORPORATION OR OTHER FIRM RECEIVING IT IS DEEMED TO HAVE AGREED THAT IT, AND/OR ANY PART OF IT, SHALL NOT BE DISCLOSED TO ANY PERSON, CORPORATION OR OTHER ENTITY, DUPLICATED, AND/OR USED, EXCEPT AS EXPRESSLY APPROVED IN WRITING IN ADVANCE BY OWNER. THIS DOCUMENT SHALL BE RETURNED TO OWNER UPON REQUEST. IT MAY BE SUBJECT TO CERTAIN RESTRICTIONS UNDER APPLICABLE EXPORT CONTROL LAWS AND REGULATIONS.

DRAWN BY:	DATE:	DESCRIPTION
D H C	11-03-1995	MODEL-RFHP-48FR OUTLINE
APPROVED BY:	DATE:	MATERIAL:
D H C	11-03-1995	
PROCESS/FINISH:	SIZE DWG NO	SHEET
THIRD ANGLE PROJECTION	C	FS1026S 1

4

3

2

1