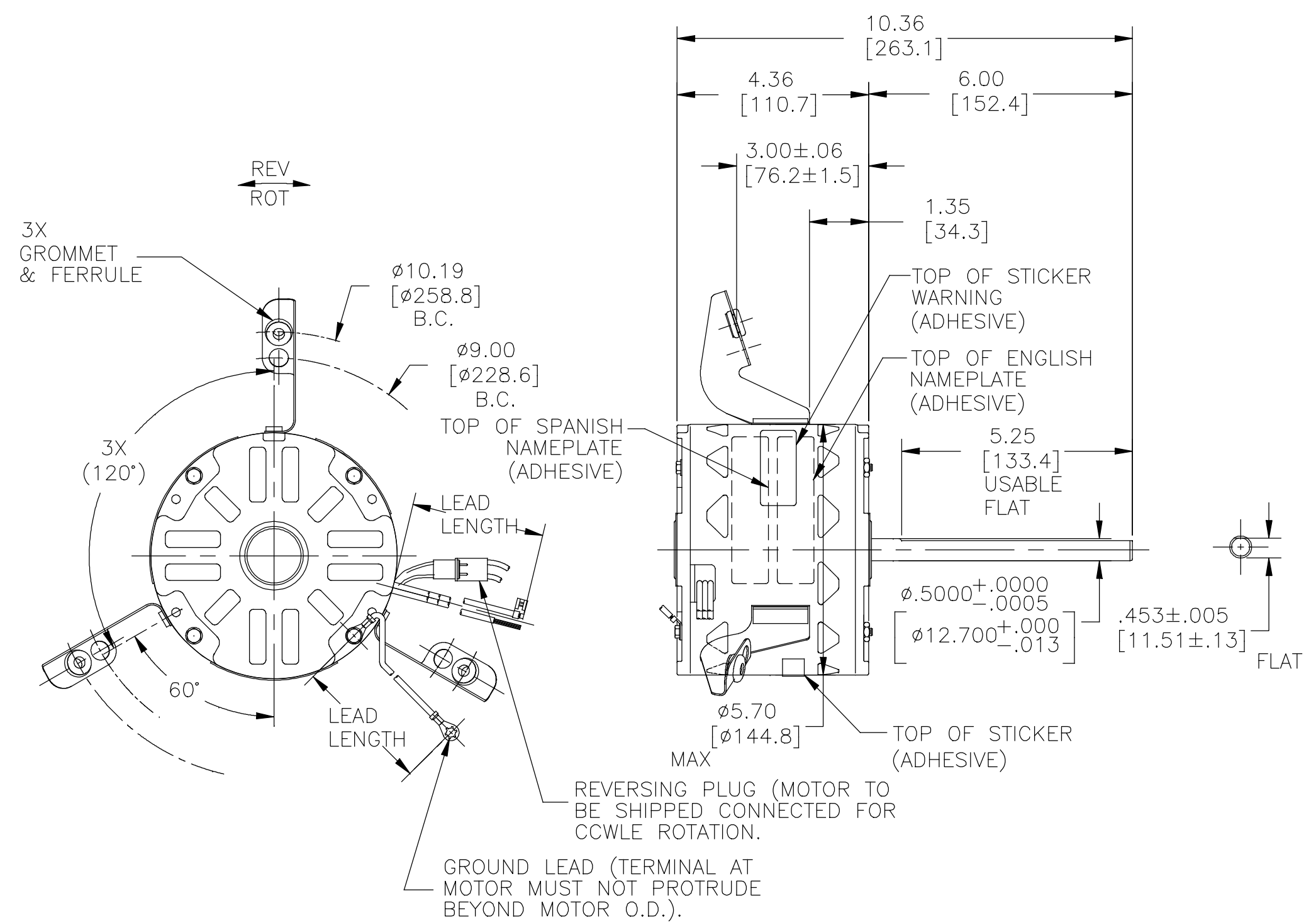


GENERAL INFORMATION:

SHAFT RUNOUT: .001[.03] T.I.R. PER INCH LENGTH OF EXTENSION.  
 END PLAY: .010[.25] TO .063[1.60]  
 BEARINGS: SLEEVE  
 MOUNTING POSITION: HORIZONTAL

ELECTRICAL DATA:

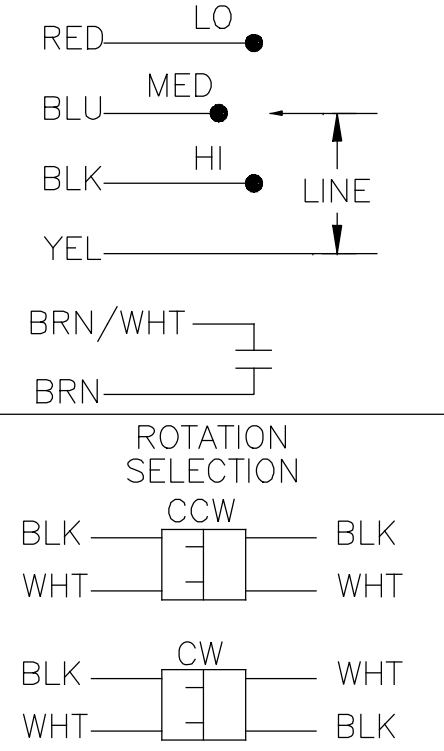
OVERLOAD PROTECTOR: AUTOMATIC RESET (T.I. 7AM 036)  
 LEADS: NO. 18 GA., .03 THK., 125°C INSUL.  
 GROUND LEAD: NO. 18 GA., .03 THK., (GREEN) INSUL.



NAMEPLATE DATA:

MODEL NO.: F48N87A01  
 CUST. P/N: FM1036  
 HP: 1/3  
 ROT: REVERSIBLE  
 RPM: 1075/3 SPD.  
 TYPE: UF  
 FRAME: 48Y  
 VOLTS: 208-230  
 PH: 1  
 AMPS: 2.4  
 HZ: 60/50  
 INS: B  
 AMB: 50°C  
 DUTY: AIR OVER  
 CAP.: 7.5 MFD/370V  
 ENCL: OPEN  
 CSA LOGO  
 UL LOGO  
 THERMALLY PROTECTED

EXTERNAL CONNECTION DIAGRAM



LEAD DATA		
COLOR	LENGTH	TERMINAL OR STRIP LENGTH
RED	26.0/28.0 [660/711]	.50 [12.7] SKIN
BLUE	26.0/28.0 [660/711]	.50 [12.7] SKIN
BLACK	26.0/28.0 [660/711]	.50 [12.7] SKIN
YELLOW	26.0/28.0 [660/711]	.50 [12.7] SKIN
BROWN	26.0/28.0 [660/711]	.25 [6.4] FLAG
BROWN/WHITE	26.0/28.0 [660/711]	.25 [6.4] FLAG
BLACK/WHITE	3.0/5.0 [76/127]	REVERSING PLUG
GREEN (GRD)	12.0/13.0 [304/330]	#10 EYELET

REGAL-BELOIT CORPORATION (RBC) PROVIDES TECHNICAL ASSISTANCE TO OUR CUSTOMERS IN SEVERAL AREAS. SINCE RBC DOES NOT RECEIVE ALL DATA CONCERNING THE USE AND APPLICATION OF THE MOTOR, THE SUITABILITY OF THE MOTOR FOR THE APPLICATION MUST BE DETERMINED BY THE CUSTOMER.  
 DIMENSIONS WITHOUT TOLERANCES ARE FOR REFERENCE ONLY.

ENCLOSURE	
END FRAME - LE	OPEN
MAIN FRAME - LE	OPEN
END FRAME - OLE	OPEN
MAIN FRAME - OLE	OPEN

CUSTOMER	DISTRIBUTION SERVICE
----------	----------------------

PERFORMANCE CURVE NO.	TORQUE @1075 RPM (25°C)	APPROVED SAMPLE	UL COMPONENT FILE #	CCN #	CSA FILE #	CLASS #
C31884	38.9 OZ. FT.	99AC397A	E46412	PRGY2	LR43341	4211-01

DRAWING REVISION	REVISION BY	DATE
D	HANNA.ZOU	04-30-2019
ECO	APPROVED BY	DATE
ECO-0165194	KEYUN.GONG	04-30-2019
ECO DESCRIPTION		
SEE ECO		

COPYRIGHT REGAL-BELOIT AMERICA, INC. ALL RIGHTS RESERVED. PROPRIETARY AND CONFIDENTIAL INFORMATION - THIS DOCUMENT IS THE PROPERTY OF REGAL-BELOIT AMERICA, INC. (OWNER) AND CONTAINS OWNER'S PROPRIETARY INFORMATION. ANY PERSON, CORPORATION OR OTHER FIRM RECEIVING IT IS DEEMED, BY RECEIVING IT, TO AGREE THAT IT, AND/OR ANY PART OF IT, SHALL NOT BE DISCLOSED TO ANY PERSON, CORPORATION OR OTHER ENTITY, DUPLICATED, AND/OR USED, EXCEPT AS EXPRESSLY APPROVED IN WRITING IN ADVANCE BY OWNER. THIS DOCUMENT SHALL BE RETURNED TO OWNER UPON REQUEST. IT MAY BE SUBJECT TO CERTAIN RESTRICTIONS UNDER APPLICABLE EXPORT CONTROL LAWS AND REGULATIONS.

DRAWN BY:	TZ
DATE:	04-20-2011
APPROVED BY:	TW
DATE:	04-20-2011
PROCESS/FINISH	
THIRD ANGLE PROJECTION	

	Regal Beloit America, Inc.
DESCRIPTION	MODEL-RFHP-48FR OUTLINE
MATERIAL	
SIZE	DWG NO
C	FM1036
SHEET	1