

GENERAL INFORMATION:

SHAFT RUNOUT: .001[.025] T.I.R. PER INCH LENGHT OF EXTENSION

BEARINGS: BALL

MOUNTING POSITION: HORIZONTAL

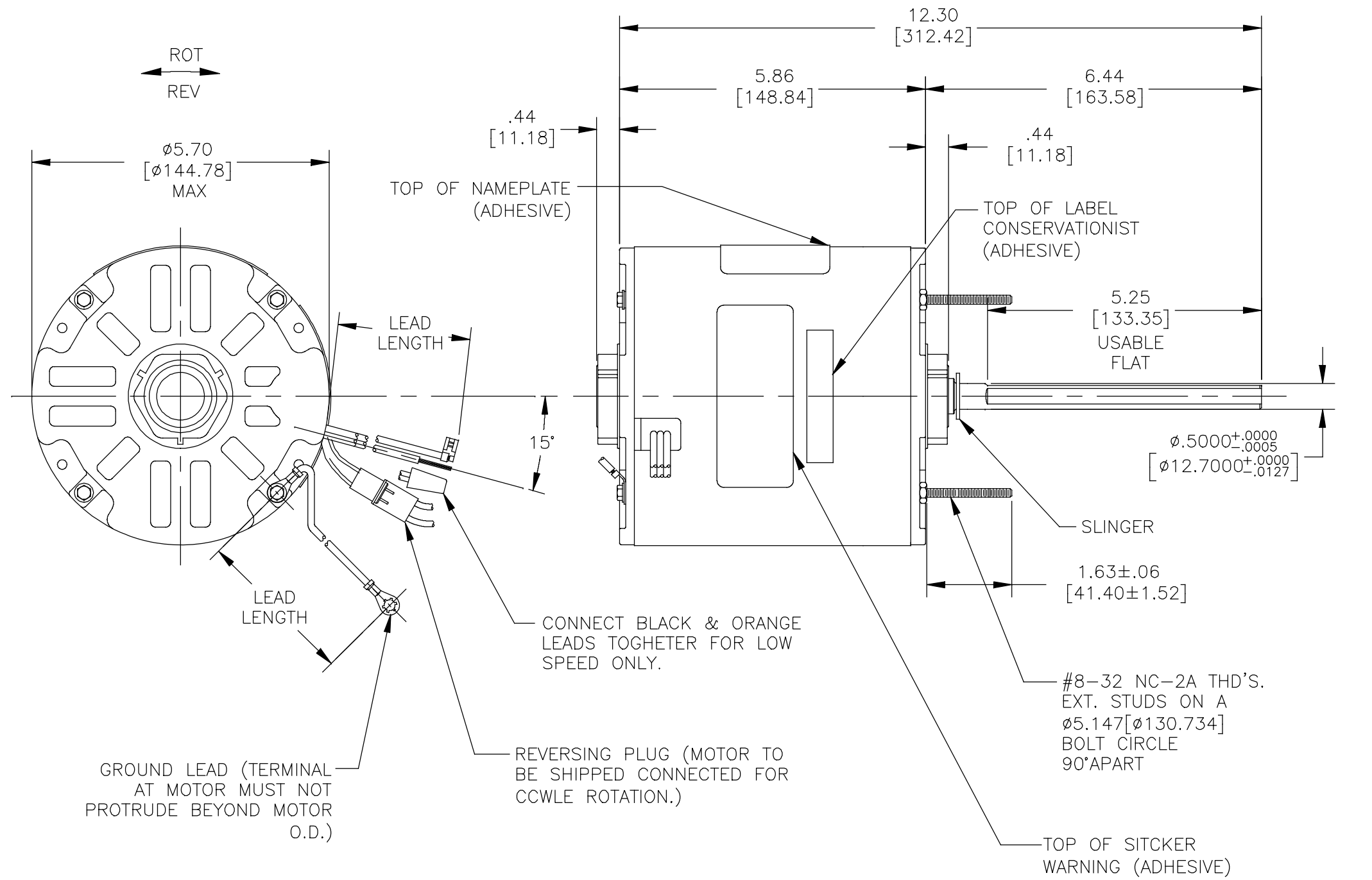
ELECTRICAL DATA:

OVERLOAD PROTECTOR: AUTOMATIC RESET (T.I. 7 AM 036)

LEADS: NO. 18 GA., .06[1.52] THK. PVC 105°C INSUL.

REVERSING LEADS: NO. 18 GA., .03[.76] THK. XLP 125°C INSUL.

GROUND LEAD: NO. 18 GA., .03[.76] THK. (GREEN) INSUL.



NAMEPLATE DATA:	EXTERNAL CONNECTION DIAGRAM
MODEL NO.: F48N56A01	BROWN SEP.CAP.
CUST. P/N: FH1056	YELLOW
HP: 1/2	BLACK LINE
ROT.: REVERSIBLE	ORANGE HIGH SPEED
RPM: 1075/2 SPD.	RED HIGH SPEED
TYPE: UF	BROWN SEP.CAP.
FRAME: 48Y	YELLOW
VOLTS: 460	BLACK LINE
PH: 1	ORANGE LO SPEED
AMPS: 1.9	RED LO SPEED
HZ: 60	BLACK ROTATION
INS.: B	WHITE
AMB.: 60° C	BLACK CCWLE
DUTY: AIR OVER	WHITE
CAP.: 10 MFD/370 V	BLACK
ENCL: SEMI-ENCL.	WHITE
UL LOGO	BLACK
CSA LOGO	WHITE
THERMALLY PROTECTED	WHITE

PERFORMANCE CURVE NO.	TORQUE @ 1075 RPM (25°C)	APPROVED SAMPLE	UL COMPONENT	CSA
			FILE #	CCN #
C31489	58.4 OZ. FT.	99AC219A	E46412	PRGY2
			FILE #	CLASS #
			LR43341	4211-01

COLOR	LENGTH	TERMINAL OR STRIP LENGTH
GREEN (GROUND)	12/13 [305/330]	#10 EYELET
BLACK/WHITE	4/6 [102/152]	REVERSING PLUG
BROWN	26/28 [660/711]	.25[6.35] FLAG
YELLOW	26/28 [660/711]	.60[15.24] SKIN
BLACK	26/28 [660/711]	.60[15.24] SKIN
ORANGE	26/28 [660/711]	.60[15.24] SKIN
RED	26/28 [660/711]	.60[15.24] SKIN

REGAL-BELOIT CORPORATION (RBC) PROVIDES TECHNICAL ASSISTANCE TO OUR CUSTOMERS IN SEVERAL AREAS. SINCE RBC DOES NOT RECEIVE ALL DATA CONCERNING THE USE AND APPLICATION OF THE MOTOR, THE SUITABILITY OF THE MOTOR FOR THE APPLICATION MUST BE DETERMINED BY THE CUSTOMER.

DIMENSIONS WITHOUT TOLERANCES ARE FOR REFERENCE ONLY.

ENCLOSURE	CUSTOMER	DISTRIBUTION SERVICE
MAIN FRAME - OLE	ENCLOSED	
END FRAME - OLE	ENCLOSED	
MAIN FRAME - LE	ENCLOSED	
END FRAME - LE	OPEN	

DRAWING REVISION C	REVISION BY HANNA.ZOU	DATE 08-10-2017	DRAWN BY: A NAJERA	REGAL™ Regal Beloit America, Inc.
	ECO-0129041	DATE 08-10-2017		
ECO DESCRIPTION ONLY UPDATE THE DRAWING			APPROVED BY: J RUPERT	DESCRIPTION MODEL-RFHP-48FR OUTLINE
COPYRIGHT REGAL BELOIT AMERICA, INC. ALL RIGHTS RESERVED. PROPRIETARY AND CONFIDENTIAL INFORMATION - THIS DOCUMENT IS THE PROPERTY OF REGAL BELOIT AMERICA, INC. (OWNER) AND CONTAINS OWNER'S PROPRIETARY INFORMATION. ANY PERSON, CORPORATION OR OTHER FIRM RECEIVING IT IS DEEMED, BY RECEIVING IT, TO AGREE THAT IT, AND/OR ANY PART OF IT, SHALL NOT BE DISCLOSED TO ANY PERSON, CORPORATION OR OTHER ENTITY, DUPLICATED, AND/OR USED, EXCEPT AS EXPRESSLY APPROVED IN WRITING IN ADVANCE BY OWNER. THIS DOCUMENT SHALL BE RETURNED TO OWNER UPON REQUEST. IT MAY BE SUBJECT TO CERTAIN RESTRICTIONS UNDER APPLICABLE EXPORT CONTROL LAWS AND REGULATIONS.			DATE: 05-05-2011	MATERIAL
			THIRD ANGLE PROJECTION	SIZE DWG NO C
				SHEET 1