

4

3

2

1

REV	ECO	REV BY	DATE	APPD	DATE
C	ECO-0024331	M.GU	02-22-2012	B.SHEN	02-22-2012

GENERAL INFORMATION:

SHAFT RUNOUT: .001[.03] T.I.R. PER INCH LENGTH OF EXTENSION.

BEARINGS: BALL

MOUNTING POSITION: ALL ANGLE

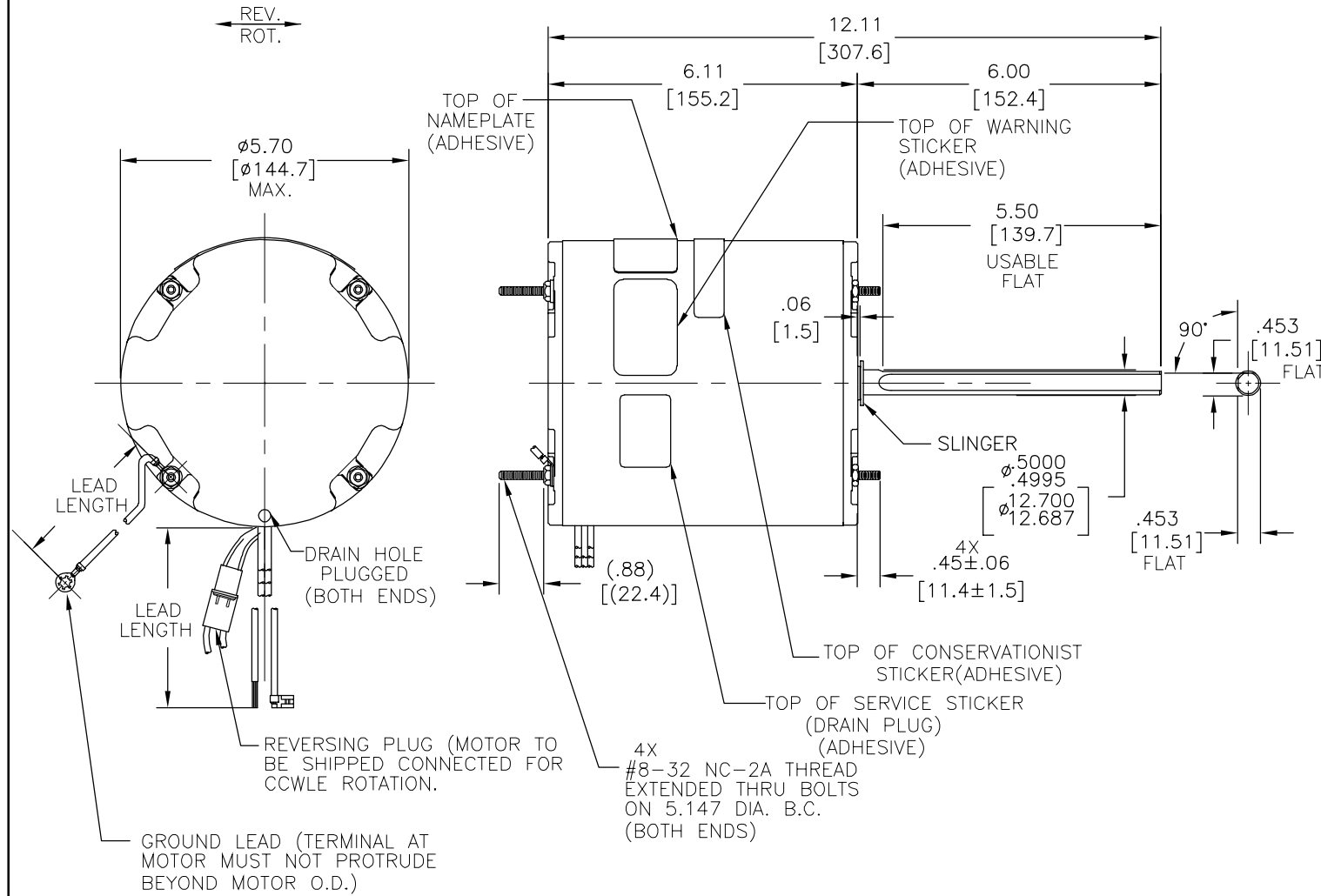
ELECTRICAL DATA:

OVERLOAD PROTECTOR: AUTOMATIC RESET (T.I. 7AM 036)

LEADS: NO. 18 GA .06[1.5] THK. PVC 105" INSUL.

REVERSING LEADS: NO. 18 GA .03[.8] THK. 125" INSUL.

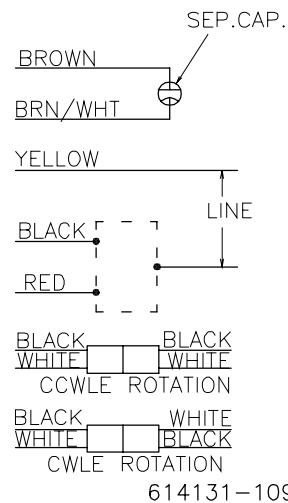
GROUND LEAD: NO. 18 GA .03[.8] THK. (GREEN) INSULATION.



NAMEPLATE DATA:

EXTERNAL CONNECTION DIAGRAM

MODEL NO.: F48SS6V21X2  
 CUST. P/N: FEH1076  
 HP: 3/4  
 ROT.: REVERSIBLE  
 RPM: 1075/2 SPD.  
 TYPE: UF  
 FRAME: 48Y  
 VOLTS: 460  
 PH: 1  
 AMPS: 1.7 (1.9 MAX.)  
 HZ: 60  
 INS.: B  
 AMB.: 60° C  
 DUTY: AIR OVER  
 CAP.: 10 MFD/370 VAC  
 UL LOGO  
 CSA LOGO  
 THERMALLY PROTECTED  
 ENCL.: ENCLOSED



GREEN (GRD)	12.0/13.0 [305/330]	#10 EYELET
BLACK/WHITE	3.5/5.5 [89/140]	REVERSING PLUG
BROWN	26.0/28.0 [660/711]	.25[6.4] FLAG
BROWN/WHITE	26.0/28.0 [660/711]	.25[6.4] FLAG
YELLOW	26.0/28.0 [660/711]	.50[12.7] SKIN
BLACK	26.0/28.0 [660/711]	.50[12.7] SKIN
RED	26.0/28.0 [660/711]	.50[12.7] SKIN
COLOR	LENGTH	TERMINAL OR STRIP LENGTH

MAIN FRAME - OLE	ENCLOSED
END FRAME - OLE	ENCLOSED
MAIN FRAME - LE	ENCLOSED
END FRAME - LE	ENCLOSED

CUSTOMER DIST. SERVICES

PERFORMANCE CURVE NO.	TORQUE @ 1075 RPM (25°C)	APPROVED SAMPLE	UL COMPONENT FILE #	CCN #	CSA FILE #	CLASS #
C24127	62.3 OZ.FT.	EX11913-3	E46412	PRGY2	LR43341	4211-01

GEOMETRIC CHARACTERISTICS & SYMBOLS

- FLATNESS
- STRAIGHTNESS
- ∠ ANGULARITY
- ⊥ PERPENDICULARITY (SQUARENESS)
- // PARALLELISM
- ROUNDNESS (CIRCULARITY)
- ∅ CYLINDRICITY
- △ PROFILE OF ANY SURFACE
- ∩ PROFILE OF ANY LINE
- ↗ RUNOUT
- ⊕ TRUE POSITION
- ◎ CONCENTRICITY
- ≡ SYMMETRY

ASME Y14.5M 1994

REGAL-BELOIT CORPORATION (RBC) PROVIDES TECHNICAL ASSISTANCE TO OUR CUSTOMERS IN SEVERAL AREAS. SINCE RBC DOES NOT RECEIVE ALL DATA CONCERNING THE USE AND APPLICATION OF THE MOTOR, THE SUITABILITY OF THE MOTOR FOR THE APPLICATION MUST BE DETERMINED BY THE CUSTOMER.

DIMENSIONS WITHOUT TOLERANCES ARE FOR REFERENCE ONLY.

DR BY: M.GU 02-22-2012

APPD: B.SHEN 02-22-2012

THIRD ANGLE PROJECTION

EDS DATE 11-11-2011

FORMAT REV G

CONFIDENTIAL: THIS DRAWING AND ITS INFORMATION ARE THE EXCLUSIVE AND CONFIDENTIAL PROPERTY OF REGAL-BELOIT CORPORATION AND ARE NOT TO BE DISCLOSED, DUPLICATED, DISTRIBUTED OR OTHERWISE USED WITHOUT THE WRITTEN CONSENT OF REGAL-BELOIT CORPORATION. -ALL RIGHTS RESERVED.



DESCRIPTION: MODEL-RFHP-48FR OUTLINE

SIZE: C DWG NO: FEH1076

SCALE: NONE SHEET: 1

4

3

2

1

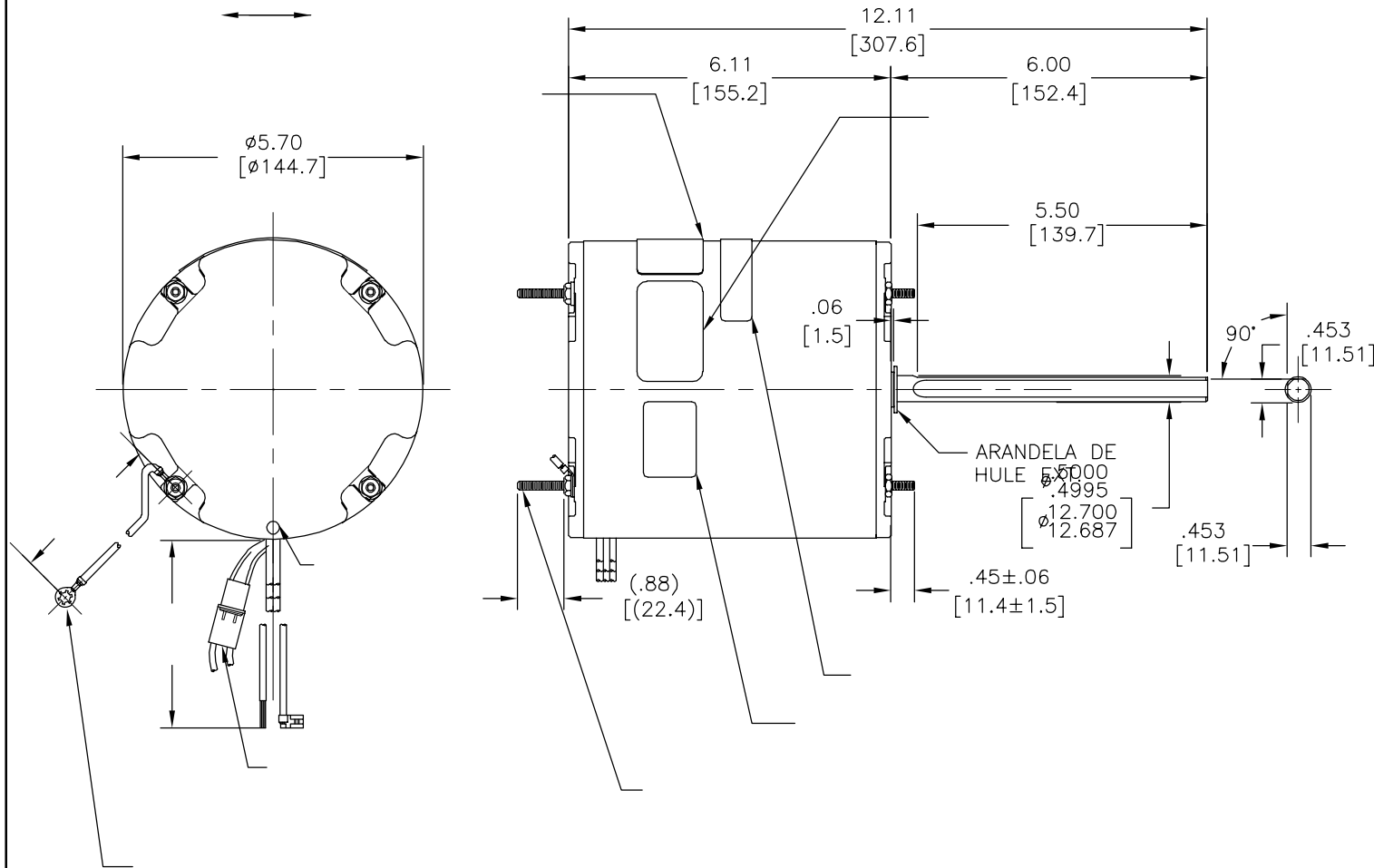
4

3

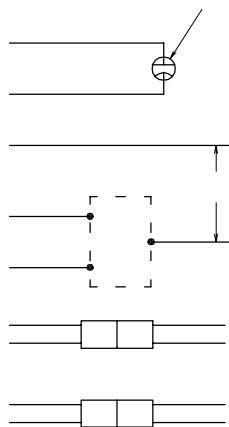
2

1

REVISION:	ECO	REVISADO POR:	FECHA:	APROBADO POR:	FECHA:
C	ECO-0024331	M.GU	02-22-2012	B.SHEN	02-22-2012



MODEL NO.:  
CUST. P/N:  
HP:  
ROT.:  
RPM:  
TYPE:  
FRAME:  
VOLTS:  
PH: 1  
AMPS:  
HZ:  
INS.:  
AMB.: 60° C  
DUTY:  
CAP.:  
UL LOGO  
CSA LOGO  
THERMALLY PROTECTED  
ENCL.: ENCLOSED



614131-109

	12.0/13.0	
	[305/330]	
	3.5/5.5	
	[89/140]	
	26.0/28.0	
	[660/711]	
	26.0/28.0	
	[660/711]	
	26.0/28.0	
	[660/711]	
	26.0/28.0	
	[660/711]	

CARACTERISTICAS DE GEOMETRIA Y SIMBOLOS  
 ▽ PLANICIDAD  
 — RECTITUD  
 < ANGULARIDAD  
 ⊥ PERPENDICULARIDAD (A ESCUADRA)  
 // PARALELISMO  
 ○ REDONDEZ (CIRCULARIDAD)  
 ∅ CILINDRICIDAD  
 △ PERFIL DE CUALQUIER SUPERFICIE  
 ∩ PERFIL DE CUALQUIER LINEA  
 ↗ VARIACION  
 ⊕ POSICION REAL  
 ⊙ CONCENTRICIDAD  
 = SIMETRIA  
 ASME Y14.5M 1994

REGAL-BELOIT CORPORATION (RBC)  
 PROVEE ASISTENCIA TECNICA A  
 NUESTROS CLIENTES EN VARIAS AREAS.  
 DESDE QUE RBC NO RECIBE TODOS  
 LOS DATOS EN RELACION AL USO Y A  
 LA APLICACION DEL MOTOR, LA  
 APLICACION ADECUADA DEL MOTOR  
 DEBE SER DETERMINADA POR EL  
 CLIENTE.

DIMENSIONES SIN TOLERANCIA SON  
 DE REFERENCIA SOLAMENTE

DIBUJADO POR:  
M.GU  
 APROBADO POR:  
B.SHEN  
 TERCER ANGULO  
 DE PROYECCION

02-22-2012  
 02-22-2012  
 FECHA EDS: 11-11-2011  
 REV. FORMATO: G

CONFIDENCIAL: ESTE DIBUJO Y SU INFORMACION  
 SON PROPIEDAD DE USO EXCLUSIVO Y CONFIDENCIAL DE  
 REGAL-BELOIT CORPORATION. Y NO DEBERAN SER REVELADOS,  
 DUPLICADOS, DISTRIBUIDOS O USARSE DE OTRA MANERA  
 SIN EL CONSENTIMIENTO ESCRITO DE REGAL-BELOIT  
 CORPORATION. -TODOS LOS DERECHOS RESERVADOS.



DESCRIPCION:  
 MODEL-RFHP-48FR  
 OUTLINE

TAMAÑO: C NUMERO DE DIBUJO:  
 FEH1076

ESCALA: NONE HOJA: 1

4

3

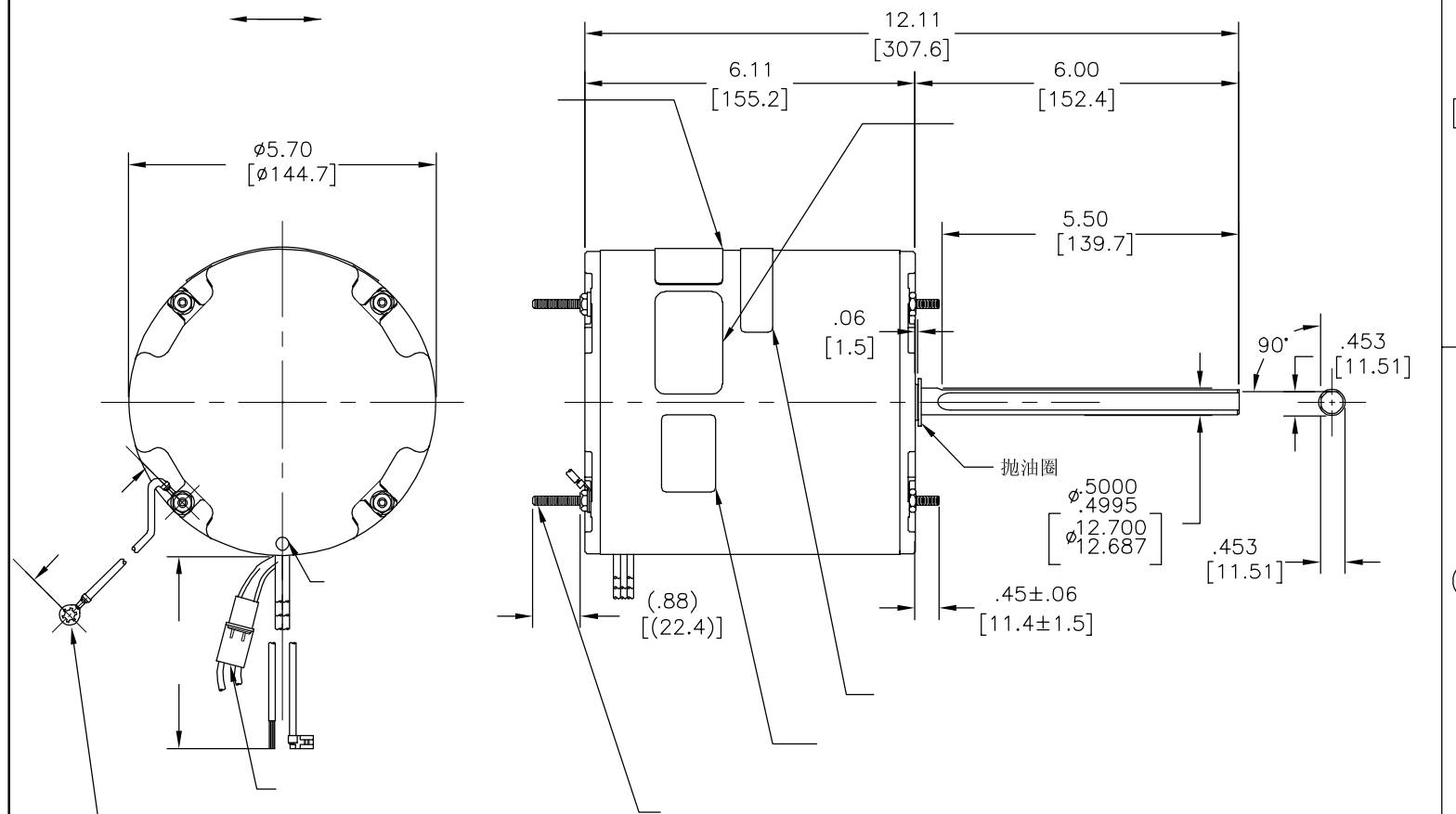
2

1

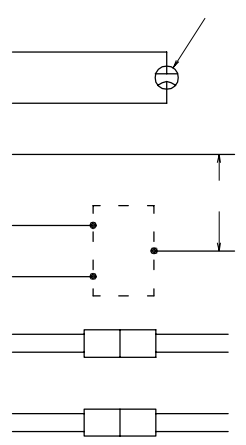
4 3 2 1

版本	ECO	编制	日期	批准	日期
C	ECO-0024331	M.GU	02-22-2012	B.SHEN	02-22-2012

D  
C  
B  
A



MODEL NO.:	
CUST. P/N:	
HP:	
ROT.:	
RPM:	
TYPE:	
FRAME:	
VOLTS:	
PH: 1	
AMPS:	
HZ:	
INS.:	
AMB.: 60° C	
DUTY:	
CAP.:	
UL LOGO	
CSA LOGO	
THERMALLY PROTECTED	
ENCL.: ENCLOSED	



614131-109

	12.0/13.0	
	[305/330]	
	3.5/5.5	
	[89/140]	
	26.0/28.0	
	[660/711]	
	26.0/28.0	
	[660/711]	
	26.0/28.0	
	[660/711]	
	26.0/28.0	
	[660/711]	

A

- 形位公差
- 平面度
- 直线度
- ∠ 倾斜度
- ⊥ 垂直度
- // 平行度
- 圆度
- ⊘ 圆柱度
- △ 面轮廓度
- ∩ 线轮廓度
- ↗ 圆跳动
- ⊕ 位置度
- ◎ 同轴度
- ≡ 对称度

ASME Y14.5M 1994

REGAL-BELOIT CORPORATION  
(RBC)在个别领域为客户  
提供技术支持。鉴于RBC  
未收到任何涉及电机使用和  
应用环境的数据,电机的适用性  
由客户自己决定。

未注公差尺寸仅供参考。

绘图:	M.GU	02-22-2012
批准:	B.SHEN	02-22-2012
第三角投影		图纸格式发布日期 11-11-2011 图纸格式版本 G
机密: 本图纸及相关信息所有权归REGAL-BELOIT CORPORATION 未经REGAL-BELOIT CORPORATION书面授权, 不得泄露、 复制、传播或作其他用途。一版权所有		



名称	MODEL-RFHP-48FR OUTLINE	
图幅	C	图号 FEH1076
比例	NONE	页号 1

4 3 2 1