

GENERAL INFORMATION:

SHAFT RUNOUT: .001[.03] T.I.R. PER INCH LENGTH OF EXTENSION

BEARINGS: BALL

MOUNTING POSITION: ALL ANGLE

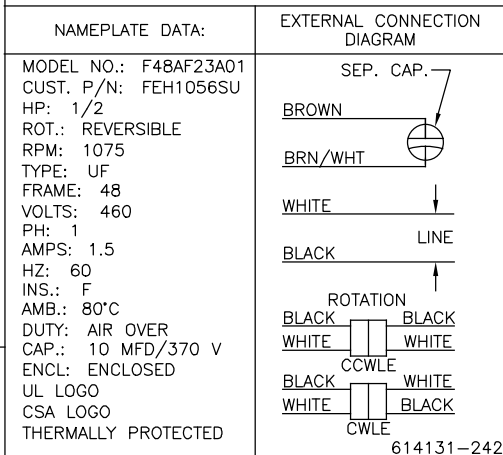
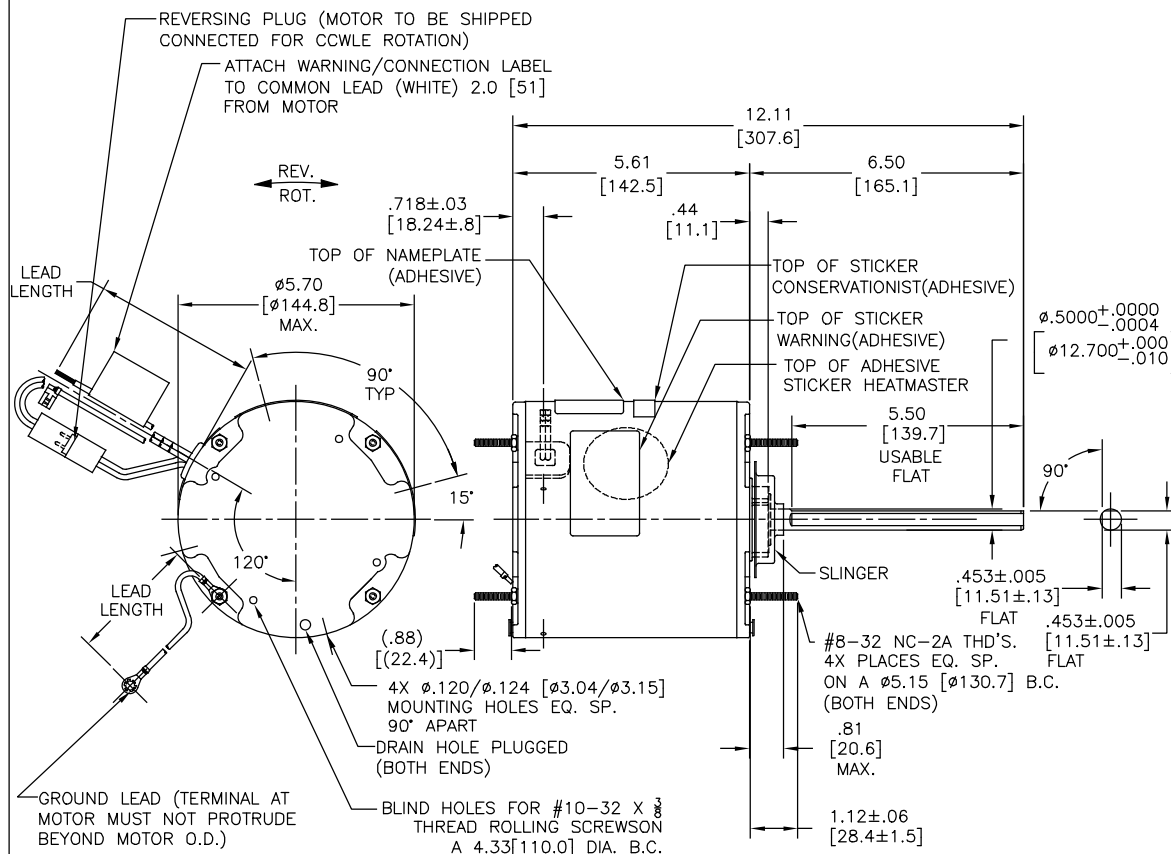
ELECTRICAL DATA:

OVERLOAD PROTECTOR: AUTOMATIC RESET (SENSATA 7AM 304)

LINE LEADS: NO. 18 GA., .06[1.5] THK. XLP 125°C INSUL.

REVERSING LEADS: NO. 18 GA., .03[.8] THK. XLP 125°C INSUL.

GROUND LEAD: NO. 18 GA., .03[.8] THK. (GREEN) INSUL.



PERFORMANCE CURVE NO.	TORQUE @1075 RPM (25°C)	APPROVED SAMPLE	UL COMPONENT FILE #	CCN #	CSA FILE #	CLASS #
C32586	48.3 OZ. FT.	0601190A	E46412	PRGY2	LR43341	4211-01

COLOR	LENGTH	TERMINAL OR STRIP LENGTH
GREEN (GROUND)	12.0/13.0 [305/330]	#10 EYELET
BLACK/WHITE	3.0/5.0 [76/127]	REVERSING PLUG
BROWN	48.0/51.0 [1219.2/1295.4]	.25[6.4] FLAG
BROWN/WHITE	48.0/51.0 [1219.2/1295.4]	.25[6.4] FLAG
WHITE	48.0/51.0 [1219.2/1295.4]	.50[12.7] SKIN
BLACK	48.0/51.0 [1219.2/1295.4]	.50[12.7] SKIN

REGAL-BELOIT CORPORATION (RBC) PROVIDES TECHNICAL ASSISTANCE TO OUR CUSTOMERS IN SEVERAL AREAS. SINCE RBC DOES NOT RECEIVE ALL DATA CONCERNING THE USE AND APPLICATION OF THE MOTOR, THE SUITABILITY OF THE MOTOR FOR THE APPLICATION MUST BE DETERMINED BY THE CUSTOMER.

DIMENSIONS WITHOUT TOLERANCES ARE FOR REFERENCE ONLY.

MAIN FRAME - OLE	ENCLOSED
END FRAME - OLE	ENCLOSED
MAIN FRAME - LE	ENCLOSED
END FRAME - LE	ENCLOSED

- NOTES:
- ATTACH INSTRUCTION SHEET 69P9-3 ONTO SHAFT APPROX. 1.0[25] FROM WATER SLINGER
 - 4X SCREWS 615982-001 & 4X HEX NUTS 7555A19H01 & 4X SCREWS 13833003 TO BE PUT IN A POLYBAG.

DRAWING REVISION		REVISION BY	DATE	TOLERANCES UNLESS OTHERWISE SPECIFIED		DRAWN BY:	
D	ECO	GEUNE ZHAO	05-23-2019	DEC.	INCH	ANGLE	B. ZHAO
	ECO-0166568	KEYUN GONG	05-23-2019	±2.5	±0.10	±0.5°	DATE: 01-21-2013
ECCO DESCRIPTION SEE ECO				.XX	±0.50	[±0.020]	APPROVED BY: K. GONG
COPYRIGHT REGAL BELLOIT AMERICA, INC. ALL RIGHTS RESERVED. PROPRIETARY AND CONFIDENTIAL INFORMATION - THIS DOCUMENT IS THE PROPERTY OF REGAL BELLOIT AMERICA, INC. REPRODUCTION AND DISSEMINATION OF THIS INFORMATION, ANY PERSON, CORPORATION OR OTHER FIRM RECEIVING IT IS PROHIBITED. BY RECEIVING IT, TO AGREE THAT IT AND/OR ANY PART OF IT, SHALL NOT BE DISCLOSED TO ANY PERSON, CORPORATION OR OTHER ENTITY, DUPLICATED, AND/OR USED, EXCEPT AS EXPRESSLY APPROVED BY REGAL BELLOIT AMERICA, INC. THIS DOCUMENT SHALL BE RETURNED TO OWNER UPON REQUEST. IF ANY PART IS SUBJECT TO CERTAIN RESTRICTIONS UNDER APPLICABLE EXPORT CONTROL LAWS AND REGULATIONS.				XXX	±0.130	[±0.0051]	DATE: 01-21-2013
				REMOVE BURRS & BREAK SHARP EDGES .08/.38 [0.03/.015]	CORNER FILLETS .50 [0.20]	MACHINED SURFACES	PROCESS/FINISH
				INCH	mm	THIRD ANGLE PROJECTION	SIZE DWG NO
				INCH SHOWN IN [BRACKETS]			C

REGAL BELLOIT AMERICA, INC.

DESCRIPTION: MODEL-RFHP-48FR OUTLINE

MATERIAL:

SIZE DWG NO: FEH1056SU

SHEET: 1