

4

3

2

1

REV	ECO	REV BY	DATE	APPD	DATE
B	0025548	I. ORTIZ	04-27-2012	D. BALDERRAMA	04-27-2012

GENERAL INFORMATION:

SHAFT RUNOUT: .001[.03] T.I.R. PER INCH LENGTH OF EXTENSION.

BEARINGS: BALL

MOUNTING POSITION: ALL ANGLE

ELECTRICAL DATA:

OVERLOAD PROTECTOR: AUTOMATIC RESET (T.I. 7AM 036)

LEADS: NO. 18 GA., .06[1.5] THK. 125°C INSUL.

REVERSING LEADS: NO. 18 GA., .03[.8] THK. 125°C INSUL.

GROUND LEAD: NO. 18 GA., .03[.8] THK. GREEN INSUL.

NOTES:

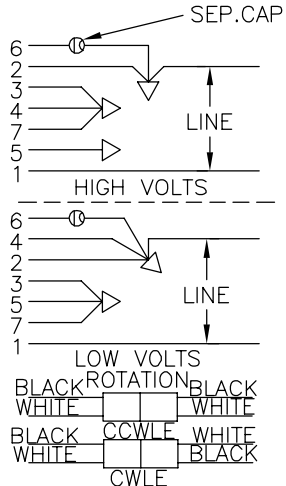
- 1. DISTRIBUTION: CUST. P/N: FEH1056D  
GRAINGER: CUST. P/N: 4MA46

NAMEPLATE DATA:

MODEL: F48U84A01  
CUST. P/N: [-----]  
HP: 1/2  
ROT.: REVERSIBLE  
RPM: 1075  
TYPE: UF  
FRAME: 48Y  
VOLTS: 208-230/460  
PH: 1  
AMPS: 2.4/1.2  
HZ: 60  
INS.: B  
AMB: 60 °C  
DUTY: AIR OVER  
CAP.: 10 MFD/370 V  
ENCL: ENCLOSED  
CSA LOGO  
UL LOGO  
THERMALLY PROTECTED

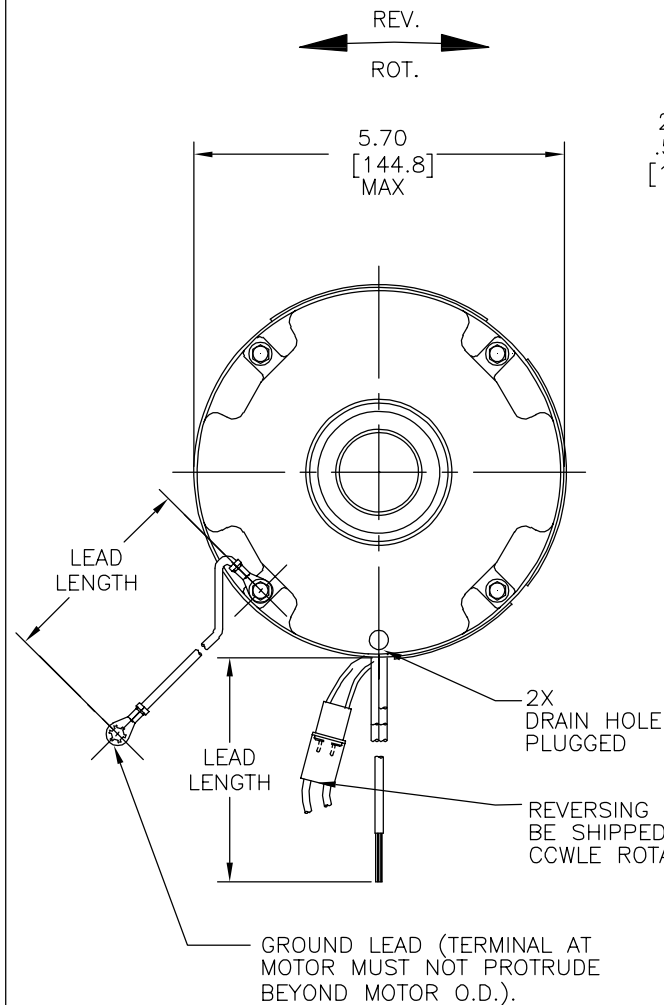
SEE NOTE 1

EXTERNAL CONNECTION DIAGRAM

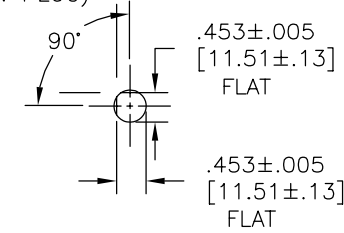
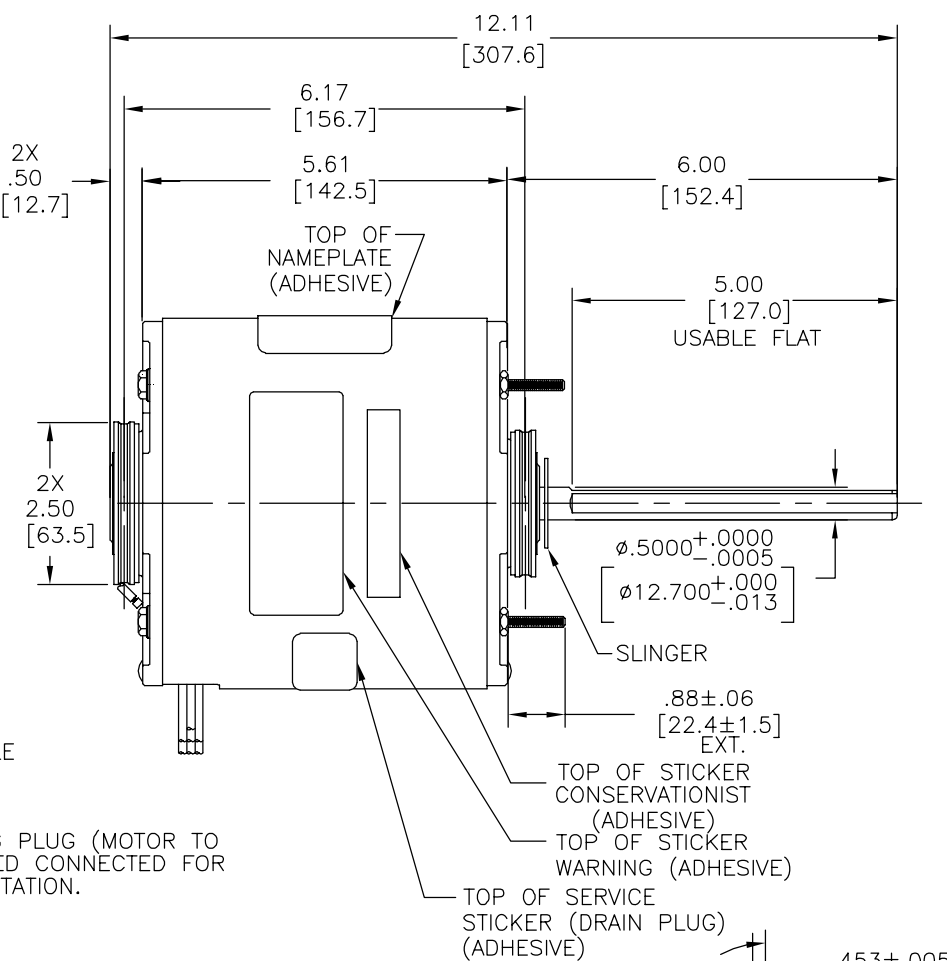


614131-309

PERFORMANCE CURVE NO.	TORQUE @1075 RPM (25°C)	APPROVED SAMPLE	UL COMPONENT	CSA
C24157	48.9 OZ. FT.	-	FILE #	CNN #
			FILE #	CLASS #
			E46412	PRGY2 LR43341 4211-01



GREEN(GRD)	12.0/13.0 [305/330]	#10 EYELET
BLACK/WHITE	3.0/5.0 [76/127]	REVERSING PLUG
RED(1)	5.0/7.0 [127/178]	.50[12.7] SKIN
RED(2)	5.0/7.0 [127/178]	.50[12.7] SKIN
RED(3)	5.0/7.0 [127/178]	.50[12.7] SKIN
YELLOW(4)	5.0/7.0 [127/178]	.50[12.7] SKIN
YELLOW(5)	5.0/7.0 [127/178]	.50[12.7] SKIN
YELLOW(6)	5.0/7.0 [127/178]	.50[12.7] SKIN
BLUE(7)	5.0/7.0 [127/178]	.50[12.7] SKIN
COLOR	LENGTH	TERMINAL OR STRIP LENGTH



MAIN FR.-OLE	ENCLOSED
END FR.-OLE	ENCLOSED
MAIN FR.-LE	ENCLOSED
END FR.-LE	ENCLOSED

CUSTOMER	DISTRIBUTION SERVICE
----------	----------------------

A

GEOMETRIC CHARACTERISTICS & SYMBOLS  
 ▮ FLATNESS  
 — STRAIGHTNESS  
 ∠ ANGULARITY  
 ⊥ PERPENDICULARITY (SQUARENESS)  
 ∥ PARALLELISM  
 ○ ROUNDNESS (CIRCULARITY)  
 ∅ CYLINDRICITY  
 △ PROFILE OF ANY SURFACE  
 ∩ PROFILE OF ANY LINE  
 ↗ RUNOUT  
 ⊕ TRUE POSITION  
 ⊙ CONCENTRICITY  
 = SYMMETRY  
 ASME Y14.5M 1994

REGAL-BELOIT CORPORATION (RBC) PROVIDES TECHNICAL ASSISTANCE TO OUR CUSTOMERS IN SEVERAL AREAS. SINCE RBC DOES NOT RECEIVE ALL DATA CONCERNING THE USE AND APPLICATION OF THE MOTOR, THE SUITABILITY OF THE MOTOR FOR THE APPLICATION MUST BE DETERMINED BY THE CUSTOMER.  
 DIMENSIONS WITHOUT TOLERANCES ARE FOR REFERENCE ONLY.

DR BY: DZ 02-21-2011  
 APPD: Z 02-21-2011  
 EDS DATE 11-11-2011  
 FORMAT REV G  
 THIRD ANGLE PROJECTION  
 CONFIDENTIAL: THIS DRAWING AND ITS INFORMATION ARE THE EXCLUSIVE AND CONFIDENTIAL PROPERTY OF REGAL-BELOIT CORPORATION AND ARE NOT TO BE DISCLOSED, DUPLICATED, DISTRIBUTED OR OTHERWISE USED WITHOUT THE WRITTEN CONSENT OF REGAL-BELOIT CORPORATION. -ALL RIGHTS RESERVED.

**REGAL-BELOIT CORPORATION**

DESCRIPTION: MODEL-RFHP-48FR OUTLINE

SIZE: C DWG NO: F48U84A01

SCALE: NONE SHEET: 1

4

3

2

1

4

3

2

1

REVISION:	ECO	REVISADO POR:	FECHA:	APROBADO POR:	FECHA:
B	0025548	I. ORTIZ	04-27-2012	D. BALDERRAMA	04-27-2012

INFORMACION GENERAL:

OSCILACION DE FLECHA: .001[.03] L.T.I. LONGITUD DE EXTENSION POR PULG.

BALEROS: BALEROS  
 POSICION DE MONTAJE: TODOS LOS ANGULOS

DATOS ELECTRICOS:

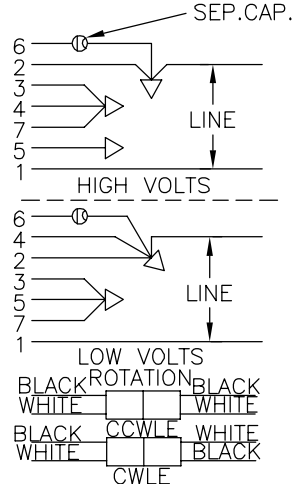
PROTECTOR DE SOBRECARGA: REINICIO AUTOMATICO (T.I. 7AM 036)  
 CABLES: CAL. NO. 18, .06 [1.5] ESPESOR 125°C AISLANTE  
 CABLES DE CONTRAMARCHA: CAL. NO 18., .03[.8] ESP. 125°C AIS.  
 CABLE A TIERRA: CAL. NO 18., .03[.8] ESP. AISL. VERDE

NOTA:  
 DISTRIBUCION: CLIENTE P/N: FEH1056D  
 TEXTURA: CUST P/N: 4MA46

INF. PLACA DE DATOS:

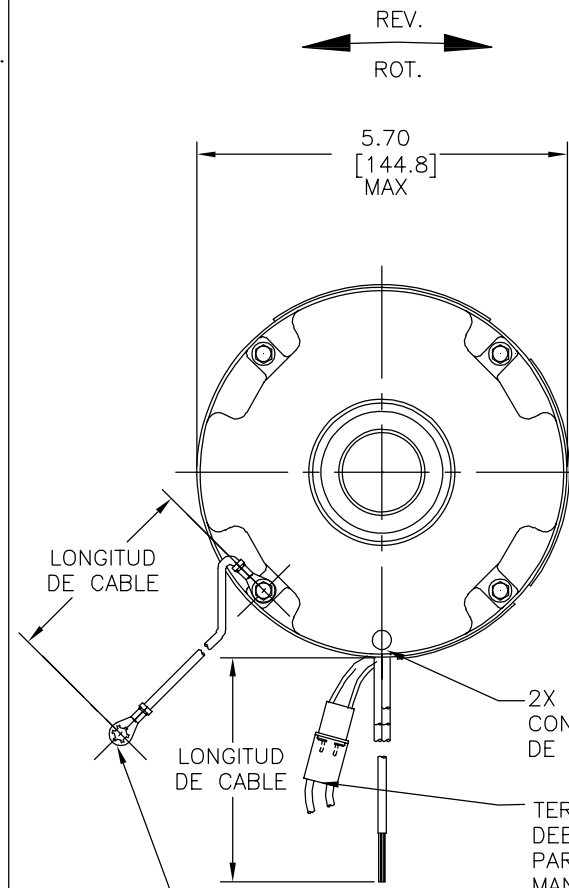
DIAGRAMA DE CONEXION EXTERNA

MODEL: F48U84A01  
 CUST. P/N: [-----]  
 HP: 1/2  
 ROT.: REVERSIBLE  
 RPM: 1075  
 TYPE: UF  
 FRAME: 48Y  
 VOLTS: 208-230/460  
 PH: 1  
 AMPS: 2.4/1.2  
 HZ: 60  
 INS.: B  
 AMB: 60 °C  
 DUTY: AIR OVER  
 CAP.: 10 MFD/370 V  
 ENCL: ENCLOSED  
 CSA LOGO  
 UL LOGO  
 THERMALLY PROTECTED



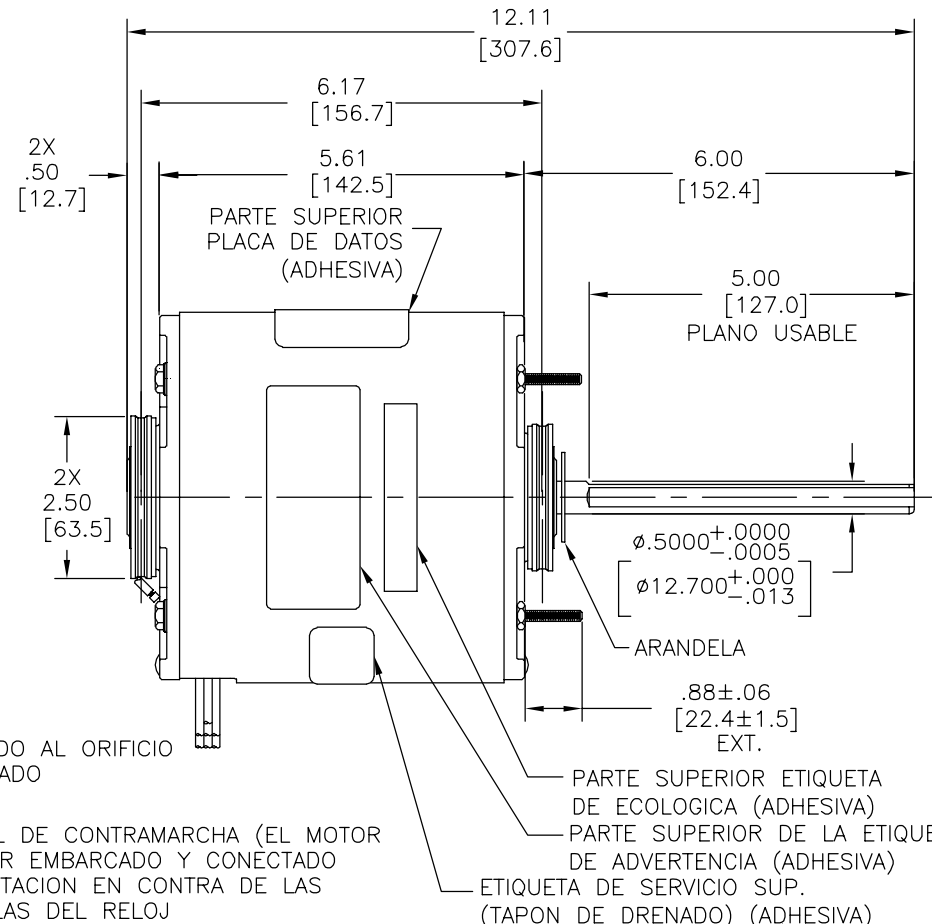
614131-309

CURVAS DE FUNCIONAMIENTO	TORSION @1075 RPM (25°C)	MUESTRA APROBADA	COMPONENTE UL		CSA	
			ARCH. #	CNN #	ARCH #	CLASS #
C24157	48.9 OZ. FT.	-	E46412	PRGY2	LR43341	4211-01



CABLE A TIERRA (TERMINAL EN MOTOR NO DEBE SOBRESALIR DESPUES DEL DIAMETRO EXTERIOR DEL MOTOR)

VERDE (TIERRA)	12.0/13.0 [305/330]	OJAL #10
NEGRO/BLANCO	3.0/5.0 [76/127]	TERMINAL DE CONTRAMARCHA
ROJO (1)	5.0/7.0 [127/178]	.50[12.7] DESFORRE
ROJO (2)	5.0/7.0 [127/178]	.50[12.7] DESFORRE
ROJO (3)	5.0/7.0 [127/178]	.50[12.7] DESFORRE
AMARILLO (4)	5.0/7.0 [127/178]	.50[12.7] DESFORRE
AMARILLO (5)	5.0/7.0 [127/178]	.50[12.7] DESFORRE
AMARILLO (6)	5.0/7.0 [127/178]	.50[12.7] DESFORRE
AZUL (7)	5.0/7.0 [127/178]	.50[12.7] DESFORRE
COLOR	LONGITUD	TERMINAL O LONGITUD DE DESFORRE



CARC. PRIN.-OLE	ENCERRADO
TAPA FINAL-OLE	ENCERRADO
CARC. PRIN.-LE	ENCERRADO
TAPA FINAL-LE	ENCERRADO

CLIENTE	DISTRIBUTION SERVICE
---------	----------------------

C

B

A

CARACTERISTICAS DE GEOMETRIA Y SIMBOLOS  
 ▽ PLANICIDAD  
 — RECTITUD  
 < ANGULARIDAD  
 ⊥ PERPENDICULARIDAD (A ESCUADRA)  
 // PARALELISMO  
 ○ REDONDEZ (CIRCULARIDAD)  
 ∅ CILINDRICIDAD  
 △ PERFIL DE CUALQUIER SUPERFICIE  
 ∇ PERFIL DE CUALQUIER LINEA  
 ↗ VARIACION  
 ⊕ POSICION REAL  
 ⊙ CONCENTRICIDAD  
 = SIMETRIA

REGAL-BELOIT CORPORATION (RBC) PROVEE ASISTENCIA TECNICA A NUESTROS CLIENTES EN VARIAS AREAS. DESDE QUE RBC NO RECIBE TODOS LOS DATOS EN RELACION AL USO Y A LA APLICACION DEL MOTOR, LA APLICACION ADECUADA DEL MOTOR DEBE SER DETERMINADA POR EL CLIENTE.  
 DIMENSIONES SIN TOLERANCIA SON DE REFERENCIA SOLAMENTE

DIBUJADO POR: DZ 02-21-2011  
 APROBADO POR: Z 02-21-2011  
 TERCER ANGULO DE PROYECCION  
 CONFIDENCIAL: ESTE DIBUJO Y SU INFORMACION SON PROPIEDAD DE USO EXCLUSIVO Y CONFIDENCIAL DE REGAL-BELOIT CORPORATION. Y NO DEBERAN SER REVELADOS, DUPLICADOS, DISTRIBUIDOS O USARSE DE OTRA MANERA SIN EL CONSENTIMIENTO ESCRITO DE REGAL-BELOIT CORPORATION. -TODOS LOS DERECHOS RESERVADOS.

REGAL-BELOIT CORPORATION

DESCRIPCION: MODEL-RFHP-48FR OUTLINE

TAMAÑO: C NUMERO DE DIBUJO: F48U84A01

ESCALA: NONE HOJA: 1

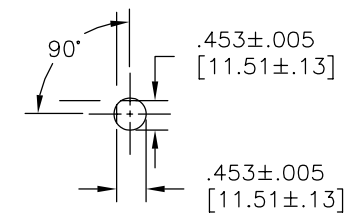
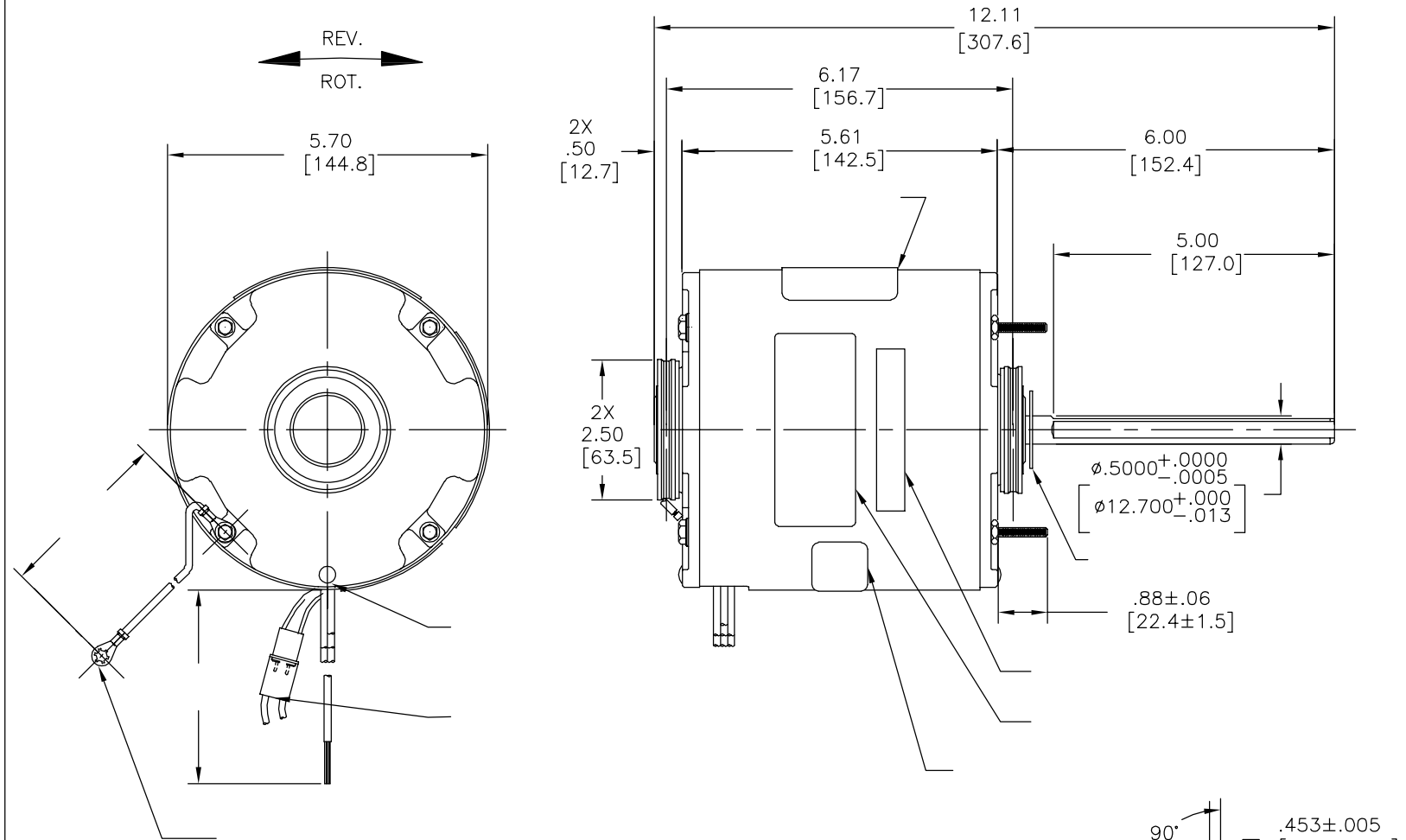
4

3

2

1

版本	ECO	编制	日期	批准	日期
B	0025548	I. ORTIZ	04-27-2012	D. BALDERRAMA	04-27-2012



	12.0/13.0	
	[305/330]	
	3.0/5.0	
	[76/127]	
	5.0/7.0	.50[12.7]
	[127/178]	
	5.0/7.0	.50[12.7]
	[127/178]	
	5.0/7.0	.50[12.7]
	[127/178]	
	5.0/7.0	.50[12.7]
	[127/178]	
	5.0/7.0	.50[12.7]
	[127/178]	

MODEL: F48U84A01  
 CUST. P/N: [ ]  
 HP: 1/2  
 ROT.: REVERSIBLE  
 RPM: 1075  
 TYPE: UF  
 FRAME: 48Y  
 VOLTS: 208-230/460  
 PH: 1  
 AMPS: 2.4/1.2  
 HZ: 60  
 INS.: B  
 AMB: 60 °C  
 DUTY: AIR OVER  
 CAP.: 10 MFD/370 V  
 ENCL: ENCLOSED  
 CSA LOGO  
 UL LOGO  
 THERMALLY PROTECTED

SEP. CAP.

6  
2  
3  
4  
7  
5  
1

LINE

HIGH VOLTS

6  
4  
2  
3  
5  
7  
1

LINE

LOW VOLTS

BLACK ROTATION BLACK  
 WHITE WHITE  
 BLACK CCWLE WHITE  
 WHITE CWLE BLACK

614131-309

					CSA
C24157	48.9 OZ. FT.	-	E46412	PRGY2	LR43341 4211-01

- 形位公差
- 平面度
- 直线度
- ∠ 倾斜度
- ⊥ 垂直度
- // 平行度
- 圆度
- ⊘ 圆柱度
- △ 面轮廓度
- ∩ 线轮廓度
- ↗ 圆跳动
- ⊕ 位置度
- ⊙ 同轴度
- ≡ 对称度

ASME Y14.5M 1994

REGAL-BELOIT CORPORATION (RBC) 在个别领域为客户提供技术支持。鉴于RBC未收到任何涉及电机使用和应用环境的数据，电机的适用性由客户自己决定。

未注公差尺寸仅供参考。

绘图: DZ 02-21-2011  
 批准: Z 02-21-2011  
 第三角投影  
 名称: MODEL-RFHP-48FR OUTLINE  
 图幅: C 图号: F48U84A01  
 比例: NONE 页号: 1

REGAL-BELOIT CORPORATION  
 REGAL-BELOIT CORPORATION  
 MODEL-RFHP-48FR  
 OUTLINE  
 F48U84A01  
 NONE 1