

4

3

2

1

REV	ECO	REV BY	DATE	APPD	DATE
A	0024033	B.ZHAO	01-19-2012	B.SHEN	01-19-2012

GENERAL INFORMATION:

SHAFT RUNOUT: .001[.03] T.I.R. PER INCH LENGTH OF EXTENSION.

BEARINGS: BALL

MOUNTING POSITION: ALL ANGLE

ELECTRICAL DATA:

OVERLOAD PROTECTOR: AUTOMATIC RESET (T.I. 7AM 036)

LEADS: NO. 18 GA., .03[.8] THK., PVC 125°C INSUL.

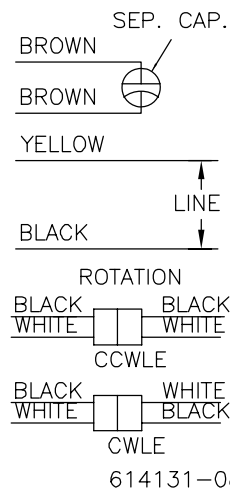
REVERSING LEADS: NO. 18 GA., .03[.8] THK., XLP 125°C INSUL.

GROUND LEAD: NO. 18 GA., .03[.8] THK., (GREEN) INSUL.

NAMEPLATE DATA:

EXTERNAL CONNECTION DIAGRAM

MODEL NO.: F48N40A01
 CUST. P/N: FEH1028S
 HP: 1/4
 ROT.: REVERSIBLE
 RPM: 850
 TYPE: UF
 FRAME: 48Y
 VOLTS: 460
 PH: 1
 AMPS: 0.75
 HZ: 60
 INS.: B
 AMB.: 60° C
 DUTY: AIR OVER
 CAP.: 5.0 MFD/370 V
 ENCL: ENCLOSED
 UL LOGO
 CSA LOGO
 THERMALLY PROTECTED



PERFORMANCE CURVE NO.	TORQUE @ 850 RPM (25°C)	APPROVED SAMPLE	UL COMPONENT		CSA	
C31154	24.1 OZ. FT.	-----	FILE #	CCN #	FILE #	CLASS #
			E46412	PRGY2	LR43341	4211-01

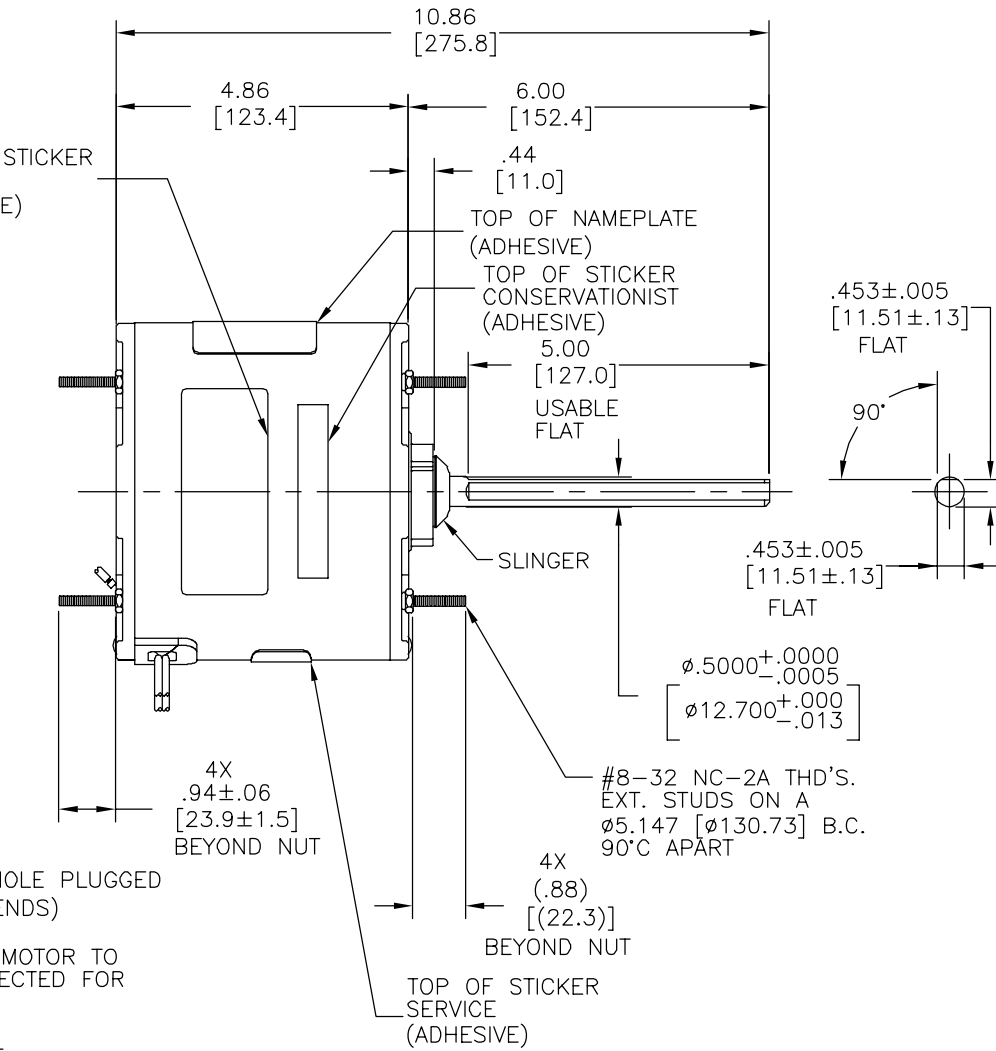
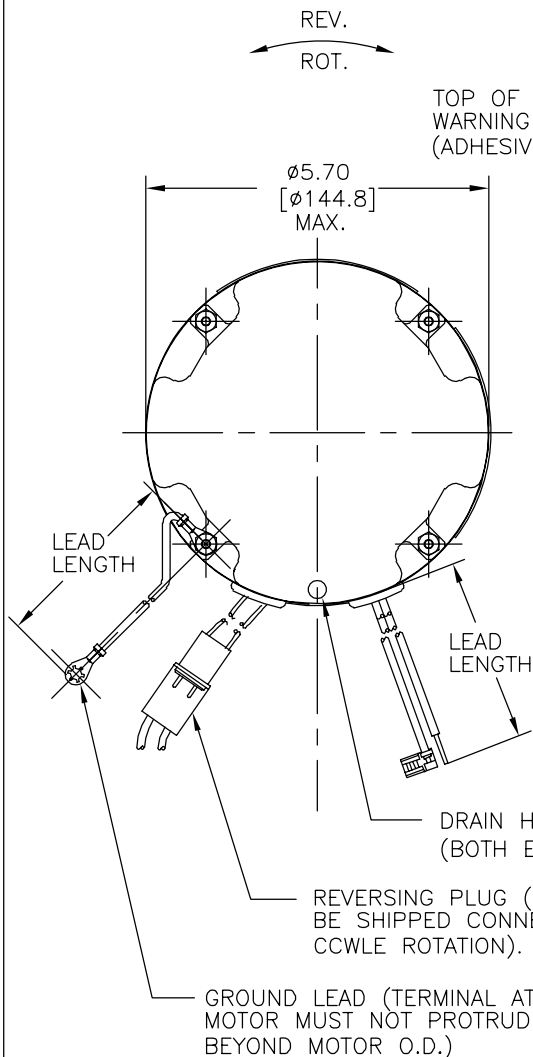
GREEN(GRD)	11.0/13.0 [279/330]	#10 EYELET
BLACK/WHITE	3.0/5.0 [76/127]	REVERSING PLUG
BROWN	35.0/38.0 [889/965]	.25[6.4] FLAG
BROWN	35.0/38.0 [889/965]	.25[6.4] FLAG
YELLOW	35.0/38.0 [889/965]	.50[12.7] SKIN
BLACK	35.0/38.0 [889/965]	.50[12.7] SKIN
COLOR	LENGTH	TERMINAL OR STRIP LENGTH

LEAD DATA

REGAL-BELOIT CORPORATION (RBC) PROVIDES TECHNICAL ASSISTANCE TO OUR CUSTOMERS IN SEVERAL AREAS. SINCE RBC DOES NOT RECEIVE ALL DATA CONCERNING THE USE AND APPLICATION OF THE MOTOR, THE SUITABILITY OF THE MOTOR FOR THE APPLICATION MUST BE DETERMINED BY THE CUSTOMER.

DIMENSIONS WITHOUT TOLERANCES ARE FOR REFERENCE ONLY.

ASME Y14.5M 1994



MAIN FRAME - OLE	ENCLOSED
END FRAME - OLE	ENCLOSED
MAIN FRAME - LE	ENCLOSED
END FRAME - LE	ENCLOSED

CUSTOMER	DISTRIBUTION SERVICES
----------	-----------------------

GEOMETRIC CHARACTERISTICS & SYMBOLS

- FLATNESS
- STRAIGHTNESS
- ANGULARITY
- PERPENDICULARITY (SQUARENESS)
- PARALLELISM
- ROUNDNESS (CIRCULARITY)
- CYLINDRICITY
- PROFILE OF ANY SURFACE
- PROFILE OF ANY LINE
- RUNOUT
- TRUE POSITION
- CONCENTRICITY
- SYMMETRY

REGAL-BELOIT CORPORATION (RBC) PROVIDES TECHNICAL ASSISTANCE TO OUR CUSTOMERS IN SEVERAL AREAS. SINCE RBC DOES NOT RECEIVE ALL DATA CONCERNING THE USE AND APPLICATION OF THE MOTOR, THE SUITABILITY OF THE MOTOR FOR THE APPLICATION MUST BE DETERMINED BY THE CUSTOMER.

DIMENSIONS WITHOUT TOLERANCES ARE FOR REFERENCE ONLY.

DR BY: B.ZHAO 01-19-2012

APPD: B.SHEN 01-19-2012

THIRD ANGLE PROJECTION

EDS DATE 11-11-2011
 FORMAT REV G

CONFIDENTIAL: THIS DRAWING AND ITS INFORMATION ARE THE EXCLUSIVE AND CONFIDENTIAL PROPERTY OF REGAL-BELOIT CORPORATION AND ARE NOT TO BE DISCLOSED, DUPLICATED, DISTRIBUTED OR OTHERWISE USED WITHOUT THE WRITTEN CONSENT OF REGAL-BELOIT CORPORATION. -ALL RIGHTS RESERVED.

REGAL-BELOIT CORPORATION

DESCRIPTION: MODEL-RFHP-48FR OUTLINE

SIZE: C DWG NO: FEH1028S

SCALE: NONE SHEET: 1

4

3

2

1

4

3

2

1

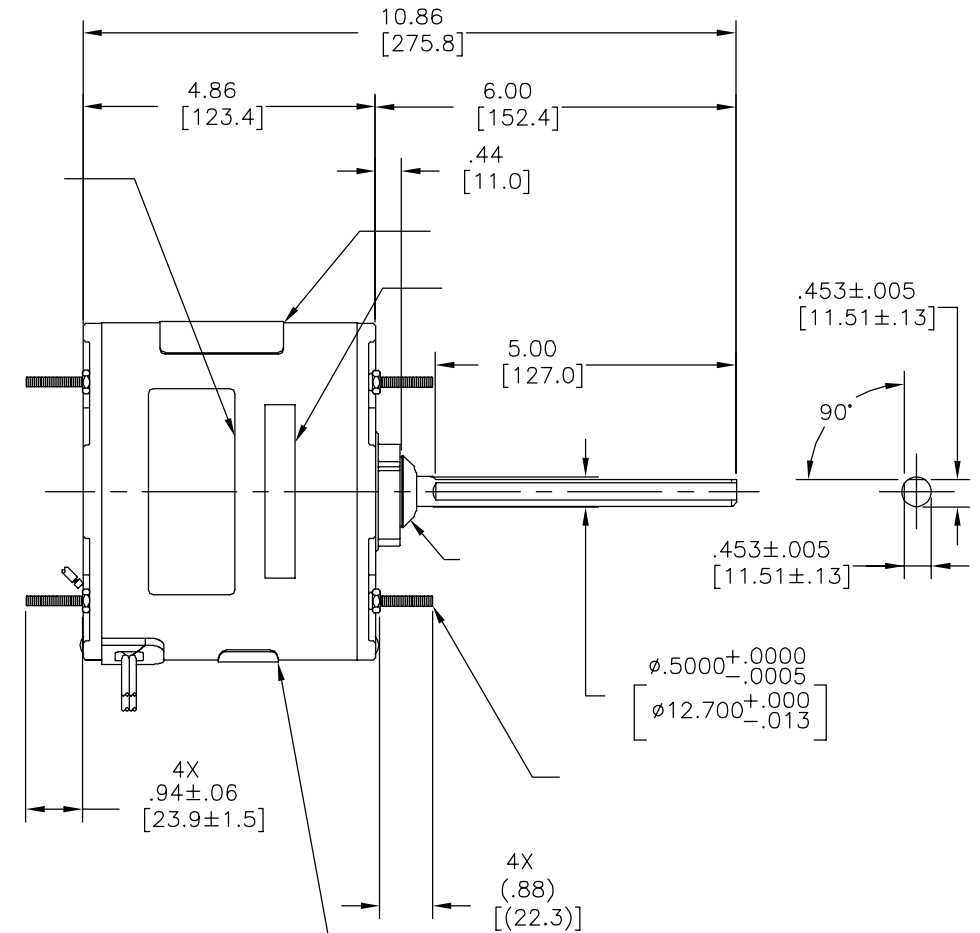
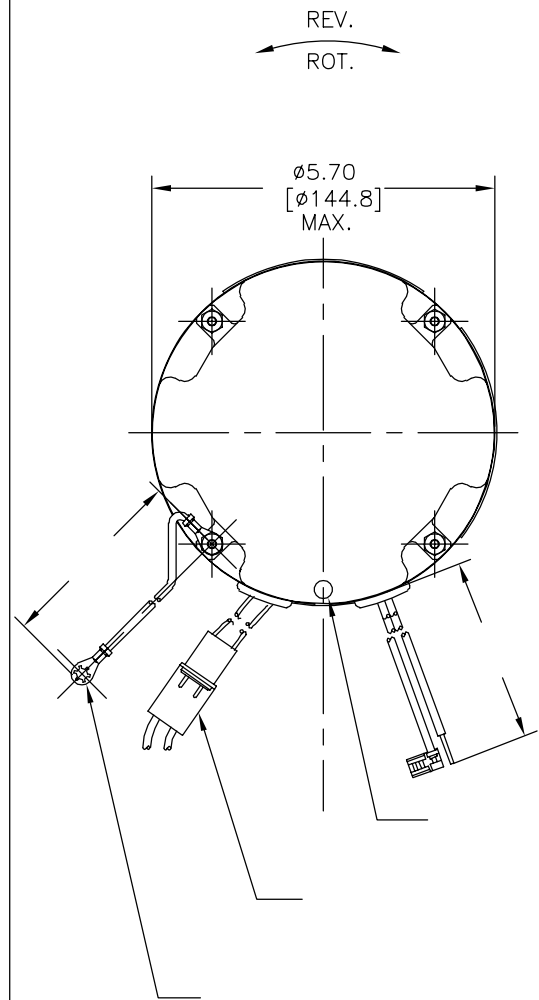
REVISION:	ECO	REVISADO POR:	FECHA:	APROBADO POR:	FECHA:
A	0024033	B.ZHAO	01-19-2012	B.SHEN	01-19-2012

INFORMACION GENERAL:

- OSCILACION DE FLECHA: -
- JUEGO AXIAL: -
- BALEROS: -
- POSICION DEL MONTAJE: -

INFORMACION ELECTRICA:

- PROTECTOR DE SOBRECARGA: -
- CABLES: -
- CABLE DE TIERRA: -



	11.0/13.0	
	[279/330]	
	3.0/5.0	
	[76/127]	
-	35.0/38.0	-
	[889/965]	
-	35.0/38.0	-
	[889/965]	
-	35.0/38.0	-
	[889/965]	
-	35.0/38.0	-
	[889/965]	

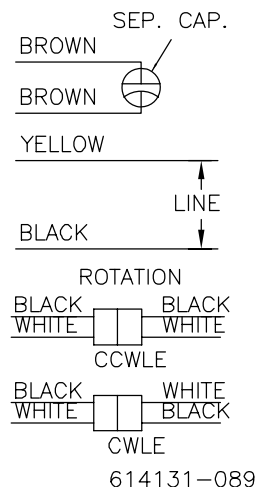
CARCASA - LOC	-
TAPA - LOC	-
CARCASA - LC	-
TAPA - LC	-

CLIENTE

INFORMACION DE ETIQUETA:

MODEL NO.: F48N40A01
 CUST. P/N: FEH1028S
 HP: 1/4
 ROT.: REVERSIBLE
 RPM: 850
 TYPE: UF
 FRAME: 48Y
 VOLTS: 460
 PH: 1
 AMPS: 0.75
 HZ: 60
 INS.: B
 AMB.: 60° C
 DUTY: AIR OVER
 CAP.: 5.0 MFD/370 V
 ENCL: ENCLOSED
 UL LOGO
 CSA LOGO
 THERMALLY PROTECTED

DIAGRAMA DE CONEXION EXTRNA



CURVAS DE FUNCIONAMIENTO	TORSION @ RPM (25°C)	MUESTRA APROBADA	COMPONENTE UL	CSA
C31154	24.1 OZ. FT.	-----	#ARCHIVO CCN #	#ARCHIVO CLASE #
			E46412 PRGY2	LR43341 4211-01

CARACTERISTICAS DE GEOMETRIA Y SIMBOLOS
 ▽ PLANICIDAD
 - RECTITUD
 < ANGULARIDAD
 ⊥ PERPENDICULARIDAD (A ESQUADRA)
 // PARALELISMO
 ○ REDONDEZ (CIRCULARIDAD)
 ∅ CILINDRICIDAD
 △ PERFIL DE CUALQUIER SUPERFICIE
 ∇ PERFIL DE CUALQUIER LINEA
 ↗ VARIACION
 ⊕ POSICION REAL
 ⊙ CONCENTRICIDAD
 = SIMETRIA
 ASME Y14.5M 1994

REGAL-BELOIT CORPORATION (RBC) PROVEE ASISTENCIA TECNICA A NUESTROS CLIENTES EN VARIAS AREAS. DESDE QUE RBC NO RECIBE TODOS LOS DATOS EN RELACION AL USO Y A LA APLICACION DEL MOTOR, LA APLICACION ADECUADA DEL MOTOR DEBE SER DETERMINADA POR EL CLIENTE.
 DIMENSIONES SIN TOLERANCIA SON DE REFERENCIA SOLAMENTE

DIBUJADO POR: B.ZHAO
 APROBADO POR: B.SHEN
 TERCER ANGULO DE PROYECCION
 DIBUJADO POR: B.ZHAO 01-19-2012
 APROBADO POR: B.SHEN 01-19-2012
 FECHA EDS: 11-11-2011
 REV. FORMATO: G
 CONFIDENCIAL: ESTE DIBUJO Y SU INFORMACION SON PROPIEDAD DE USO EXCLUSIVO Y CONFIDENCIAL DE REGAL-BELOIT CORPORATION. Y NO DEBERAN SER REVELADOS, DUPLICADOS, DISTRIBUIDOS O USARSE DE OTRA MANERA SIN EL CONSENTIMIENTO ESCRITO DE REGAL-BELOIT CORPORATION. -TODOS LOS DERECHOS RESERVADOS.

DESCRIPCION: MODEL-RFHP-48FR OUTLINE
 TAMAÑO: C NUMERO DE DIBUJO: FEH1028S
 ESCALA: NONE HOJA: 1

4

3

2

1

4

3

2

1

总技术要求:

轴跳动:

端部窜动量

轴承:

安装位置:

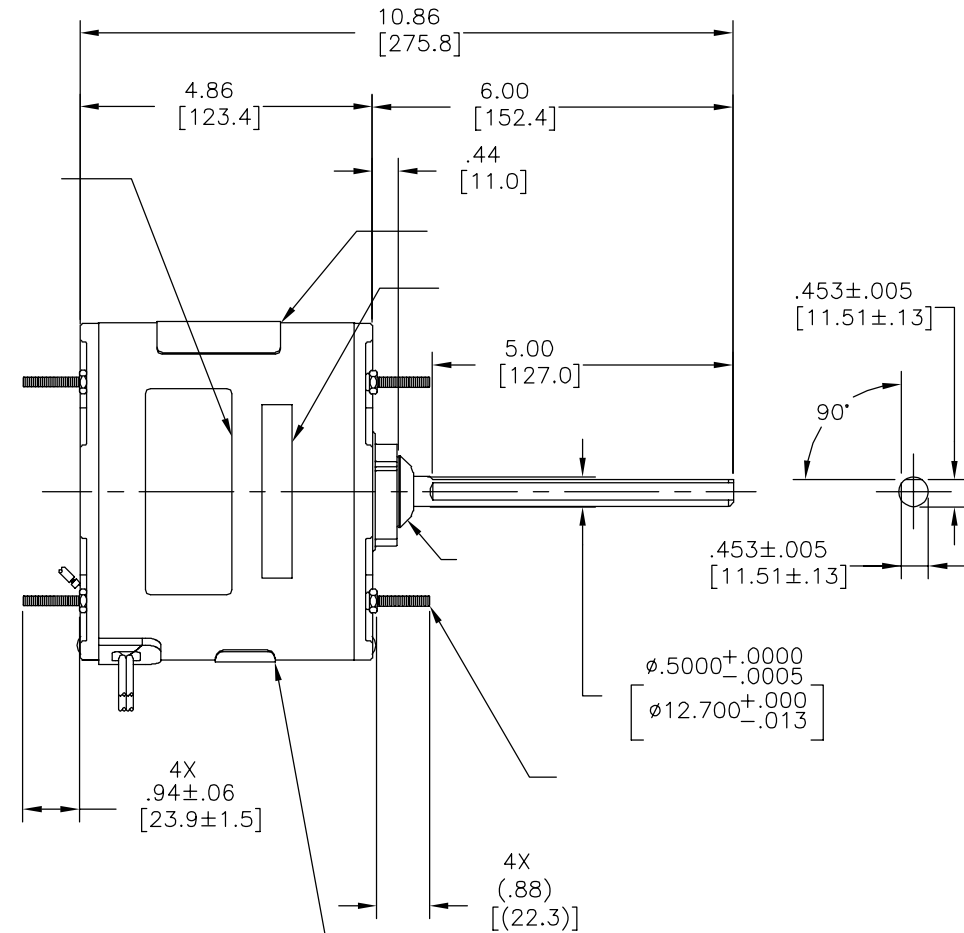
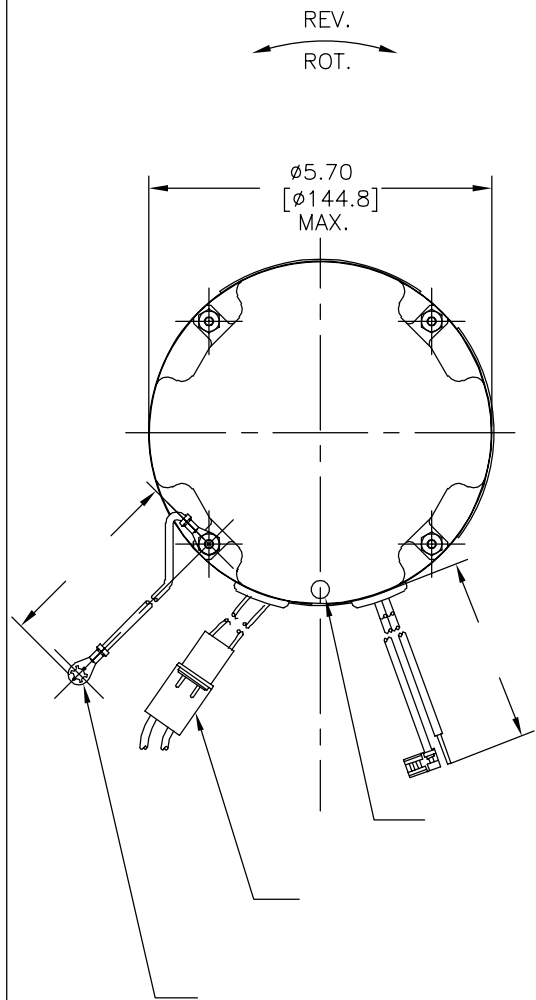
电气数据:

过载保护:

引线:

接地线:

版本	ECO	编制	日期	批准	日期
A	0024033	B.ZHAO	01-19-2012	B.SHEN	01-19-2012



	11.0/13.0	
	[279/330]	
	3.0/5.0	
	[76/127]	
	35.0/38.0	
	[889/965]	
	35.0/38.0	
	[889/965]	
	35.0/38.0	
	[889/965]	
	35.0/38.0	
	[889/965]	

颜色	长度	端子或剥线长度

无引线端机壳	
无引线端端盖	
有引线端机壳	
有引线端端盖	

用户	
----	--

铭牌数据	外部数据线
MODEL NO.: F48N40A01 CUST. P/N: FEH1028S HP: 1/4 ROT.: REVERSIBLE RPM: 850 TYPE: UF FRAME: 48Y VOLTS: 460 PH: 1 AMPS: 0.75 HZ: 60 INS.: B AMB.: 60° C DUTY: AIR OVER CAP.: 5.0 MFD/370 V ENCL: ENCLOSED UL LOGO CSA LOGO THERMALLY PROTECTED	SEP. CAP. BROWN BROWN YELLOW LINE BLACK ROTATION BLACK WHITE WHITE CCWLE BLACK WHITE WHITE CWLE 614131-089

性能曲线编号	转矩在 @ RPM (25° C)	批准样品	UL部件		CSA	
C31154	24.1 OZ. FT.	-----	文件号	指南	文件号	指南
			E46412	PRGY2	LR43341	4211-01

- 形位公差
- 平面度
- 直线度
- ∠ 倾斜度
- ⊥ 垂直度
- // 平行度
- 圆度
- ⊘ 圆柱度
- ⊙ 面轮廓度
- △ 线轮廓度
- ↗ 圆跳动
- ⊕ 位置度
- ⊙ 同轴度
- ≡ 对称度

ASME Y14.5M 1994

REGAL-BELOIT CORPORATION (RBC) 在个别领域为客户提供技术支持。鉴于RBC未收到任何涉及电机使用和应用环境的数据，电机的适用性由客户自己决定。

未注公差尺寸仅供参考。

绘图:	B.ZHAO	01-19-2012
批准:	B.SHEN	01-19-2012
第三角投影		图纸格式发布日期 11-11-2011 图纸格式版本 G
机密:	本图纸及相关信息所有权归REGAL-BELOIT CORPORATION。未经REGAL-BELOIT CORPORATION书面授权，不得泄露、复制或传播作其他用途。—版权所有	

名称	MODEL-RFHP-48FR OUTLINE
图幅	C
图号	FEH1028S
比例	NONE
页号	1

4

3

2

1