

REV	ECO	REV BY	DATE	APPD	DATE
C	0025547	I.MATA	04-27-2012	R.RASCON	04-27-2012

GENERAL INFORMATION:

SHAFT RUNOUT: .001[.25] T.I.R. PER INCH LENGTH OF EXTENSION.

BEARINGS: 201 BALL

MOUNTING POSITION: ALL ANGLE

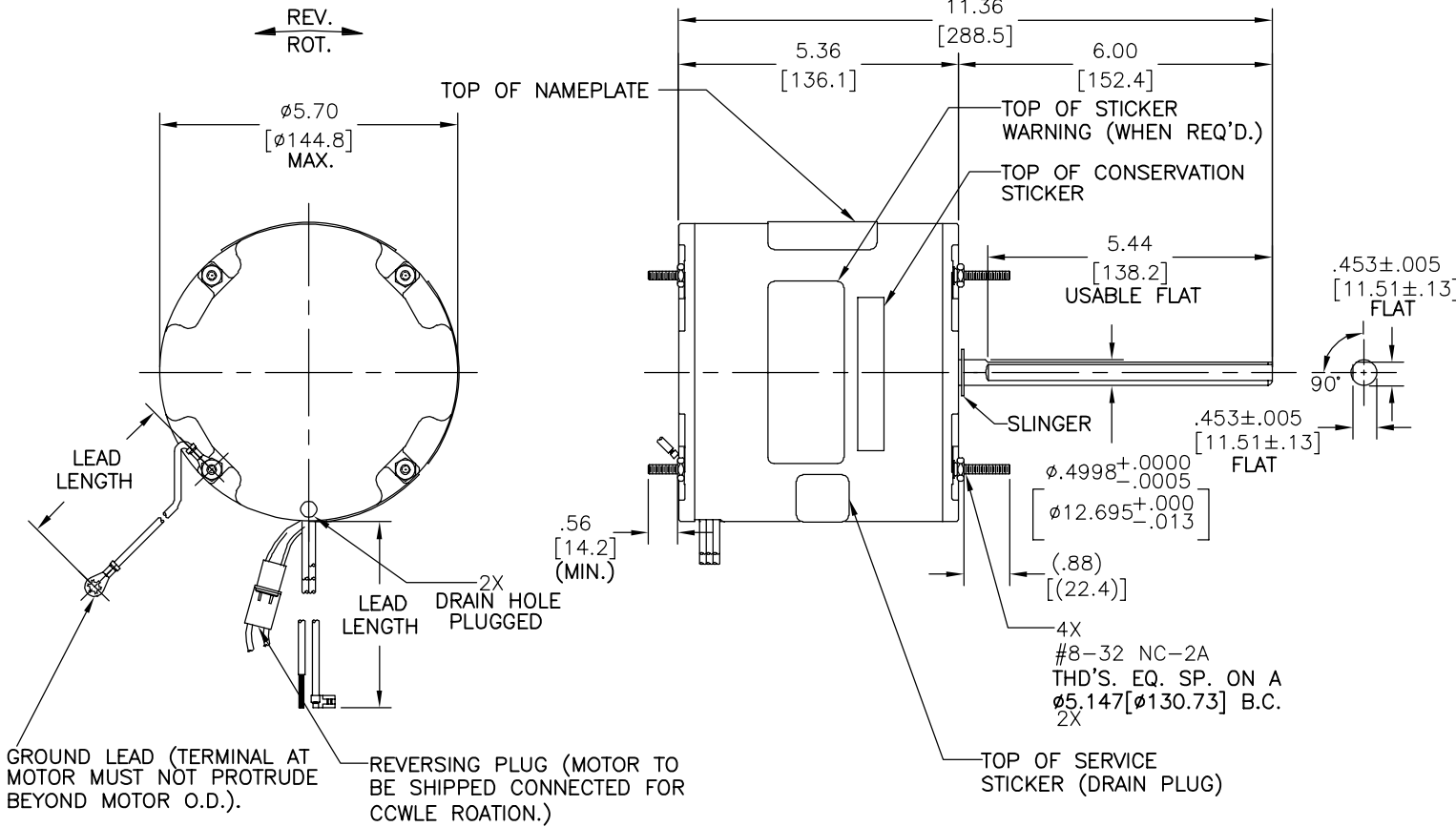
ELECTRICAL DATA:

OVERLOAD PROTECTOR: AUTOMATIC RESET (T.I. 7AM 036)

LEADS: NO. 18 GA., .06[1.5] THK. PVC 105°C INSUL.

REVERSING LEAD: NO. 18 GA., .03[.8] THK. 125°C INSUL.

GROUND LEAD: NO. 18 GA., .03[.8] THK., (GREEN) INSUL.



GROUND LEAD (TERMINAL AT MOTOR MUST NOT PROTRUDE BEYOND MOTOR O.D.).

REVERSING PLUG (MOTOR TO BE SHIPPED CONNECTED FOR CCWLE ROTATION.)

GREEN(GRD)	12[305]/13[330]	#10 EYELET
BLACK/WHT	4.5[114]/5.5[140]	REVERSING PLUG
BROWN/WHITE	26[660]/28[711]	.25[6.4] FLAG
BROWN	26[660]/28[711]	.25[6.4] FLAG
YELLOW	26[660]/28[711]	.50[12.7] SKIN
BLACK	26[660]/28[711]	.50[12.7] SKIN
RED	26[660]/28[711]	.50[12.7] SKIN
COLOR	LENGTH	TERMINAL OR STRIP LENGTH
LEAD DATA		

NOTE:
1. DISTRIBUTION PART NUMBER: FE1056
GRAINGER PART NUMBER: 4MB45

MAIN FR.-OLE	ENCLOSED
END FR.-OLE	ENCLOSED WITH PLUGGED DRAIN
MAIN FR.-LE	ENCLOSED
END FR.-LE	ENCLOSED WITH PLUGGED DRAIN
ENCLOSURE	

CUST. DISTRIBUTION SERVICES

NAMEPLATE DATA: SEE NOTE 1

EXTERNAL CONNECTION DIAGRAM

MODEL: F48P15A01
CUST. P/N: []
HP: 1/2
ROT: REVERSIBLE
RPM: 1075/750
TYPE: UF
FRAME: 48Y
VOLTS: 208-230
PH: 1
AMPS: 2.8 (3.5 MAX)
HZ: 60
INS: B
AMB: 60 °C
DUTY: AIR OVER
CAP.: 10.0 MFD/370 V
ENCL: ENCLOSED
CSA LOGO
UL LOGO
THERMALLY PROTECTED

614131-109

PREFORMANCE CURVE NO.	TORQUE @ 1075 RPM(25°C)	APPROVED SAMPLE	UL COMPONENT FILE#	GUIDE#	CSA FILE#	GUIDE#
C32028	56.3 OZ. FT.	0143382A	E46412	PRGY2	LR43341	260-ø-0

GEOMETRIC CHARACTERISTICS & SYMBOLS

- ▮ FLATNESS
- STRAIGHTNESS
- ∠ ANGULARITY
- ⊥ PERPENDICULARITY (SQUARENESS)
- // PARALLELISM
- ROUNDNESS (CIRCULARITY)
- ∅ CYLINDRICITY
- △ PROFILE OF ANY SURFACE
- ∩ PROFILE OF ANY LINE
- ↑ RUNOUT
- ⊕ TRUE POSITION
- ◎ CONCENTRICITY
- = SYMMETRY

ASME Y14.5M 1994

REGAL-BELOIT CORPORATION (RBC) PROVIDES TECHNICAL ASSISTANCE TO OUR CUSTOMERS IN SEVERAL AREAS. SINCE RBC DOES NOT RECEIVE ALL DATA CONCERNING THE USE AND APPLICATION OF THE MOTOR, THE SUITABILITY OF THE MOTOR FOR THE APPLICATION MUST BE DETERMINED BY THE CUSTOMER.

DIMENSIONS WITHOUT TOLERANCES ARE FOR REFERENCE ONLY.

DR BY: D.M.JONES 02-25-2000

APPD: J.P.MU 02-29-2000

THIRD ANGLE PROJECTION

EDS DATE 11-11-2011
FORMAT REV G

CONFIDENTIAL: THIS DRAWING AND ITS INFORMATION ARE THE EXCLUSIVE AND CONFIDENTIAL PROPERTY OF REGAL-BELOIT CORPORATION AND ARE NOT TO BE DISCLOSED, DUPLICATED, DISTRIBUTED OR OTHERWISE USED WITHOUT THE WRITTEN CONSENT OF REGAL-BELOIT CORPORATION. -ALL RIGHTS RESERVED.

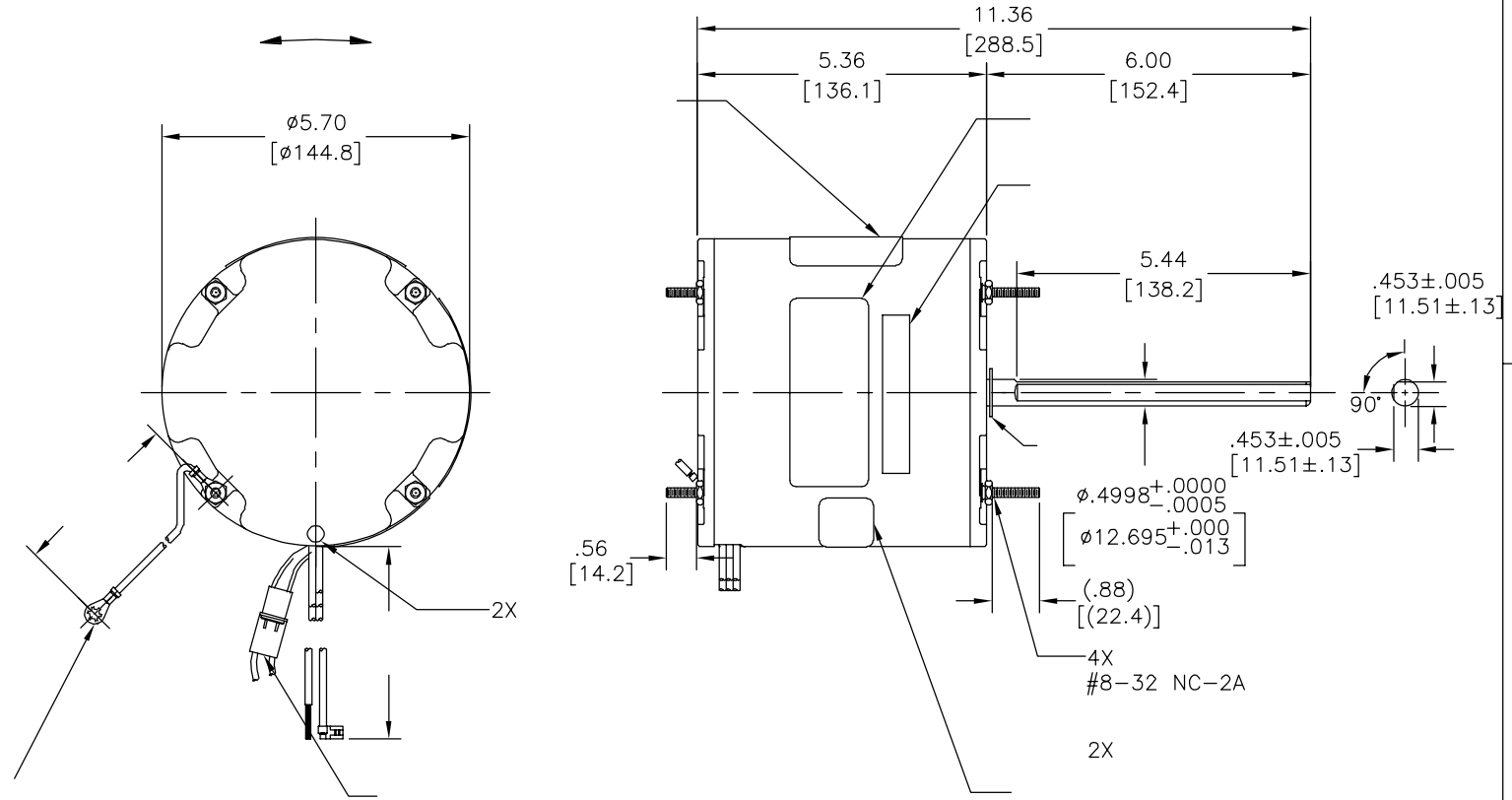


DESCRIPTION: MODEL-RFHP-48FR OUTLINE

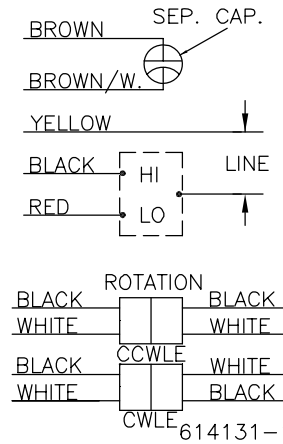
SIZE C DWG NO 11748-081

SCALE NONE SHEET 1

REVISION:	ECO	REVISADO POR:	FECHA:	APROBADO POR:	FECHA:
C	0025547	I.MATA	04-27-2012	R.RASCON	04-27-2012



MODEL: F48P15A01
 CUST. P/N: []
 HP: 1/2
 ROT: REVERSIBLE
 RPM: 1075/750
 TYPE: UF
 FRAME: 48Y
 VOLTS: 208-230
 PH: 1
 AMPS: 2.8 (3.5 MAX)
 HZ: 60
 INS: B
 AMB: 60 °C
 DUTY: AIR OVER
 CAP.: 10.0 MFD/370 V
 ENCL: ENCLOSED
 CSA LOGO
 UL LOGO
 THERMALLY PROTECTED



614131-109

	12[305]/13[330]	
	4.5[114]/5.5[140]	
	26[660]/28[711]	.25[6.4]
	26[660]/28[711]	.25[6.4]
	26[660]/28[711]	.50[12.7]
	26[660]/28[711]	.50[12.7]
	26[660]/28[711]	.50[12.7]

C32028	56.3 OZ. FT.	0143382A	E46412	PRGY2	LR43341	260-0-0
--------	--------------	----------	--------	-------	---------	---------

CARACTERISTICAS DE GEOMETRIA Y SIMBOLOS
 ▽ PLANICIDAD
 — RECTITUD
 < ANGULARIDAD
 ⊥ PERPENDICULARIDAD (A ESCUADRA)
 // PARALELISMO
 ○ REDONDEZ (CIRCULARIDAD)
 ∅ CILINDRICIDAD
 △ PERFIL DE CUALQUIER SUPERFICIE
 ∩ PERFIL DE CUALQUIER LINEA
 ↑ VARIACION
 ⊕ POSICION REAL
 ⊙ CONCENTRICIDAD
 = SIMETRIA
 ASME Y14.5M 1994

REGAL-BELOIT CORPORATION (RBC) PROVEE ASISTENCIA TECNICA A NUESTROS CLIENTES EN VARIAS AREAS. DESDE QUE RBC NO RECIBE TODOS LOS DATOS EN RELACION AL USO Y A LA APLICACION DEL MOTOR, LA APLICACION ADECUADA DEL MOTOR DEBE SER DETERMINADA POR EL CLIENTE.

DIMENSIONES SIN TOLERANCIA SON DE REFERENCIA SOLAMENTE

DIBUJADO POR: D.M.JONES 02-25-2000

APROBADO POR: J.P.MU 02-29-2000

TERCER ANGULO DE PROYECCION
 FECHA EDS: 11-11-2011
 REV. FORMATO: G

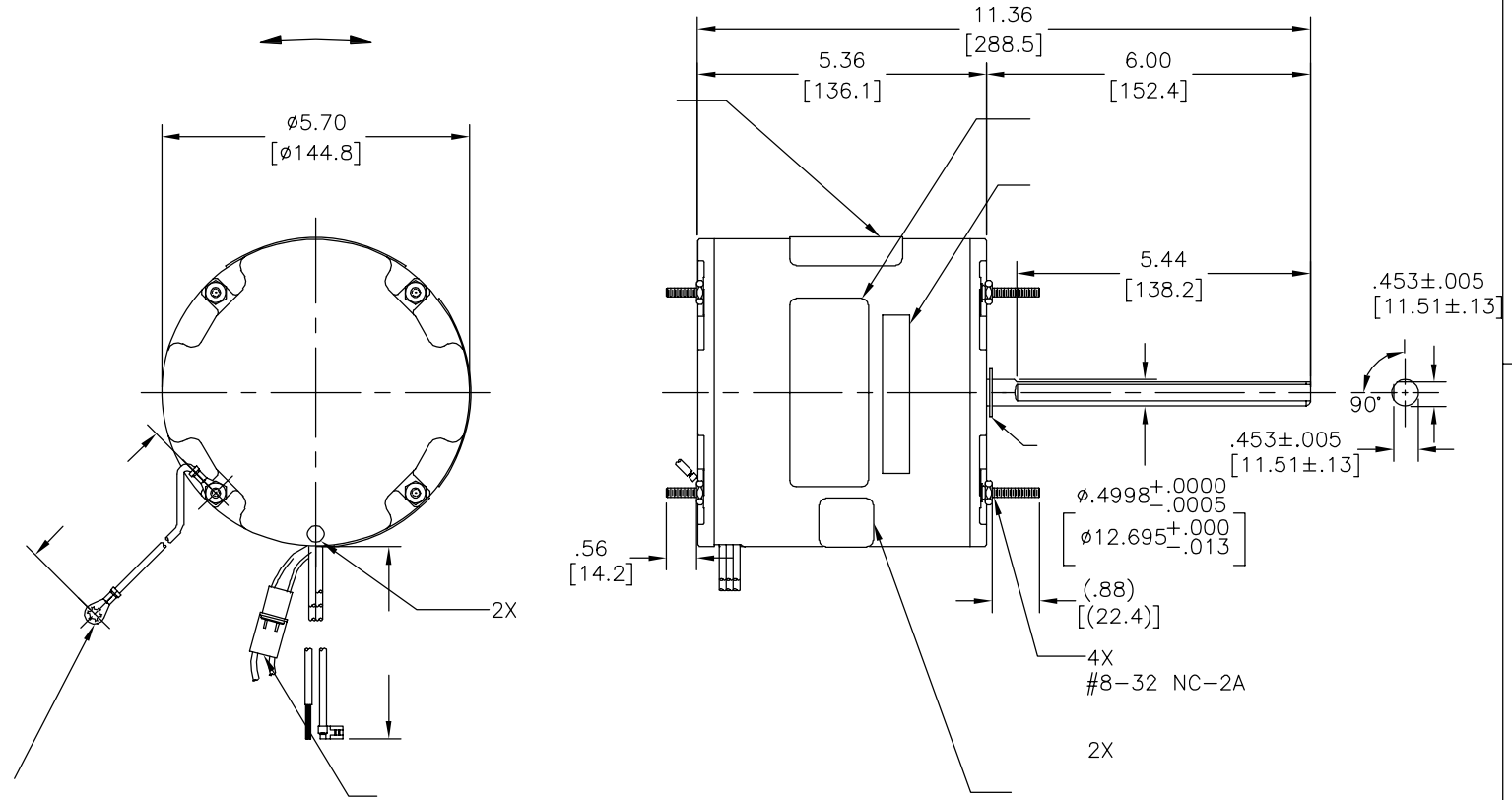
CONFIDENCIAL: ESTE DIBUJO Y SU INFORMACION SON PROPIEDAD DE USO EXCLUSIVO Y CONFIDENCIAL DE REGAL-BELOIT CORPORATION. Y NO DEBERAN SER REVELADOS, DUPLICADOS, DISTRIBUIDOS O USARSE DE OTRA MANERA SIN EL CONSENTIMIENTO ESCRITO DE REGAL-BELOIT CORPORATION. -TODOS LOS DERECHOS RESERVADOS.



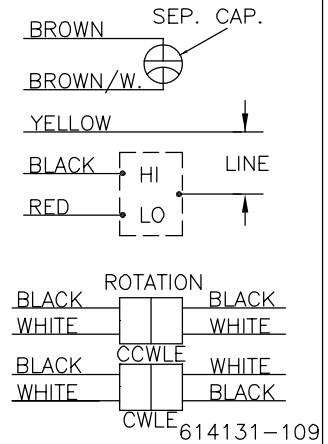
DESCRIPCION: MODEL-RFHP-48FR OUTLINE

TAMAÑO: C NUMERO DE DIBUJO: 11748-081
 ESCALA: NONE HOJA: 1

版本	ECO	编制	日期	批准	日期
C	0025547	I.MATA	04-27-2012	R.RASCON	04-27-2012



MODEL: F48P15A01
 CUST. P/N: []
 HP: 1/2
 ROT: REVERSIBLE
 RPM: 1075/750
 TYPE: UF
 FRAME: 48Y
 VOLTS: 208-230
 PH: 1
 AMPS: 2.8 (3.5 MAX)
 HZ: 60
 INS: B
 AMB: 60 °C
 DUTY: AIR OVER
 CAP.: 10.0 MFD/370 V
 ENCL: ENCLOSED
 CSA LOGO
 UL LOGO
 THERMALLY PROTECTED



	12[305]/13[330]	
	4.5[114]/5.5[140]	
	26[660]/28[711]	.25[6.4]
	26[660]/28[711]	.25[6.4]
	26[660]/28[711]	.50[12.7]
	26[660]/28[711]	.50[12.7]
	26[660]/28[711]	.50[12.7]

C32028	56.3 OZ. FT.	0143382A	E46412	PRGY2	LR43341	260-0-0
--------	--------------	----------	--------	-------	---------	---------

- 形位公差
- 平面度
- 直线度
- ∠ 倾斜度
- ⊥ 垂直度
- ∥ 平行度
- 圆度
- ⊘ 圆柱度
- 面轮廓度
- 线轮廓度
- 圆跳动
- 位置度
- ⊙ 同轴度
- ≡ 对称度

ASME Y14.5M 1994

REGAL-BELOIT CORPORATION (RBC) 在个别领域为客户提供技术支持。鉴于 RBC 未收到任何涉及电机使用和应用环境的数据，电机的适用性由客户自己决定。

未注公差尺寸仅供参考。

绘图:	D.M.JONES	02-25-2000
批准:	J.P.MU	02-29-2000
第三角投影		图纸格式发布日期 11-11-2011 图纸格式版本 G
机密: 本图纸及相关信息所有权归REGAL-BELOIT CORPORATION。未经REGAL-BELOIT CORPORATION书面授权, 不得泄露、复制、传播或作其他用途。--版权所有		



MODEL-RFHP-48FR
 OUTLINE

图幅	C	图号	11748-081
比例	NONE	页号	1