

GENERAL INFORMATION:

SHAFT RUNOUT: .001 [.03] T.I.R. PER INCH LENGTH OF EXTENSION

BEARINGS: BALL

MOUNTING POSITION: ALL ANGLE

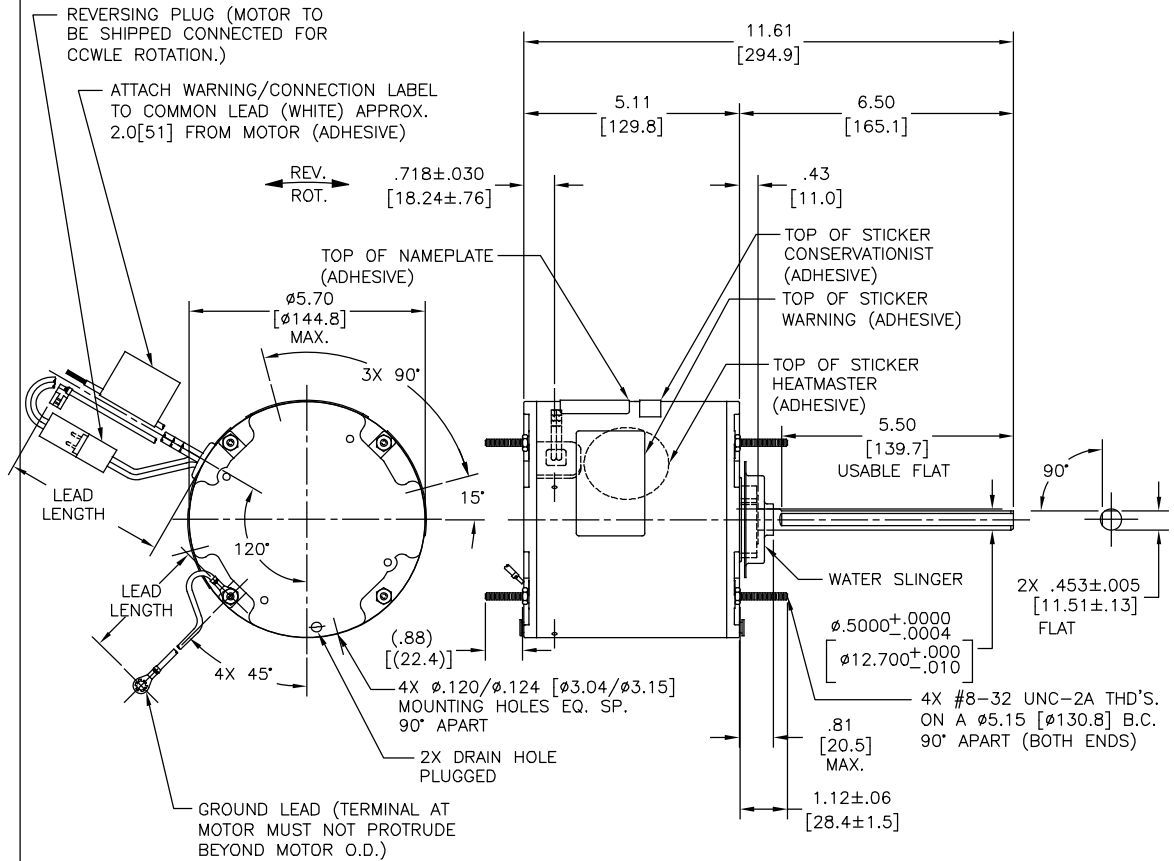
ELECTRICAL DATA:

OVERLOAD PROTECTOR: AUTOMATIC RESET (T.I. 7AM 304)

LINE LEADS: NO. 18 GA., .06 [.5] THK. XLP 125°C INSUL.

REVERSING PLUGS: NO. 18 GA., .03 [.8] THK. XLP 125°C INSUL.

GROUND LEAD: NO. 18 GA., .03 [.8] THK. (GREEN) INSUL.



NAMEPLATE DATA:	EXTERNAL CONNECTION DIAGRAM
MODEL NO.: F48AF28A01 CUST. P/N: FE1038SU HP: 1/3 ROT.: REVERSIBLE RPM: 825 TYPE: UF FRAME: 48 VOLTS: 208-230 PH: 1 AMPS: 1.6 HZ: 60 INS.: F AMB.: 80°C DUTY: AIR OVER CAP.: 7.5 MFD/370 V ENCL: ENCLOSED UL LOGO CSA LOGO THERMALLY PROTECTED	<p>SEP. CAP.</p> <p>BROWN</p> <p>BRN/WHT</p> <p>WHITE</p> <p>BLACK</p> <p>LINE</p> <p>ROTATION</p> <p>BLACK</p> <p>WHITE</p> <p>CCWLE</p> <p>WHITE</p> <p>CWLE</p> <p>614131-242</p>

PERFORMANCE CURVE NO.	TORQUE @ 825 RPM (25°C)	APPROVED SAMPLE	UL COMPONENT FILE #	CCN #	CSA FILE #	CLASS #
C32579	40.1 OZ. FT.		E46412	PRGY2	LR43341	4211-01

COLOR	LENGTH	TERMINAL OR STRIP LENGTH
GREEN (GROUND)	12.0/13.0 [305/330]	#10 EYELET
BLACK/WHITE	3.0/5.0 [76/127]	REVERSING PLUG
BROWN	48.0/51.0 [1219/1295]	.25 [6.4] FLAG
BROWN/WHITE	48.0/51.0 [1219/1295]	.25 [6.4] FLAG
WHITE	48.0/51.0 [1219/1295]	.50 [12.7] SKIN
BLACK	48.0/51.0 [1219/1295]	.50 [12.7] SKIN

REGAL-BELOIT CORPORATION (RBC) PROVIDES TECHNICAL ASSISTANCE TO OUR CUSTOMERS IN SEVERAL AREAS. SINCE RBC DOES NOT RECEIVE ALL DATA CONCERNING THE USE AND APPLICATION OF THE MOTOR, THE SUITABILITY OF THE MOTOR FOR THE APPLICATION MUST BE DETERMINED BY THE CUSTOMER.

DIMENSIONS WITHOUT TOLERANCES ARE FOR REFERENCE ONLY.

MAIN FRAME - OLE	ENCLOSED
END FRAME - OLE	ENCLOSED
MAIN FRAME - LE	ENCLOSED
END FRAME - LE	ENCLOSED

- NOTES:
- ATTACH INSTRUCTION SHEET 69P9-3 ONTO SHAFT APPROX. 1.0[25] FROM WATER SLINGER
 - 4X SCREWS 615982-001 & 4X HEX NUTS 7555A19H01 & 4X SCREWS 13833003 TO BE PUT IN A POLYBAG.

DRAWING REVISION				DATE		ENCLOSURE		DRAWN BY:	
D	ECO	ECO-0166568	SEE ECO	GELINE ZHAO	05-23-2019	N.HONG	01-18-2013	Regal Beloit America, Inc.	
APPROVED BY: KEYUN QONG				DATE: 05-23-2019		APPROVED BY: D.ZHANG		DESCRIPTION: OUTLINE	
<p><small>REGAL-BELOIT CORPORATION (RBC) PROVIDES TECHNICAL ASSISTANCE TO OUR CUSTOMERS IN SEVERAL AREAS. SINCE RBC DOES NOT RECEIVE ALL DATA CONCERNING THE USE AND APPLICATION OF THE MOTOR, THE SUITABILITY OF THE MOTOR FOR THE APPLICATION MUST BE DETERMINED BY THE CUSTOMER.</small></p> <p><small>PROPRIETARY AND CONFIDENTIAL INFORMATION - THIS DOCUMENT IS THE PROPERTY OF REGAL-BELOIT CORPORATION (RBC). IT IS TO BE KEPT CONFIDENTIAL AND NOT TO BE DISCLOSED TO ANY PERSON, CORPORATION OR OTHER ENTITY, WITHOUT THE WRITTEN PERMISSION OF REGAL-BELOIT CORPORATION. ANY UNAUTHORIZED DISCLOSURE OR USE OF THIS DOCUMENT IS STRICTLY PROHIBITED. REGAL-BELOIT CORPORATION SHALL BE HELD HARMLESS FROM ANY AND ALL DAMAGES, INCLUDING REASONABLE ATTORNEY'S FEES, ARISING FROM ANY SUCH DISCLOSURE OR USE. THIS DOCUMENT SHALL BE RETURNED TO REGAL-BELOIT CORPORATION UPON REQUEST. IT MAY BE SUBJECT TO CERTAIN RESTRICTIONS UNDER APPLICABLE EXPORT CONTROL LAWS AND REGULATIONS.</small></p>				DATE: 01-18-2013		DATE: 01-18-2013		MATERIAL:	
						THIRD ANGLE PROJECTION		SIZE: DWG NO: FE1038SU	
								SHEET 1	