

GENERAL INFORMATION:

SHAFT RUNOUT: .001 [.03] T.I.R. PER INCH LENGTH OF EXTENSION

BEARINGS: BALL

MOUNTING POSITION: ALL ANGLE

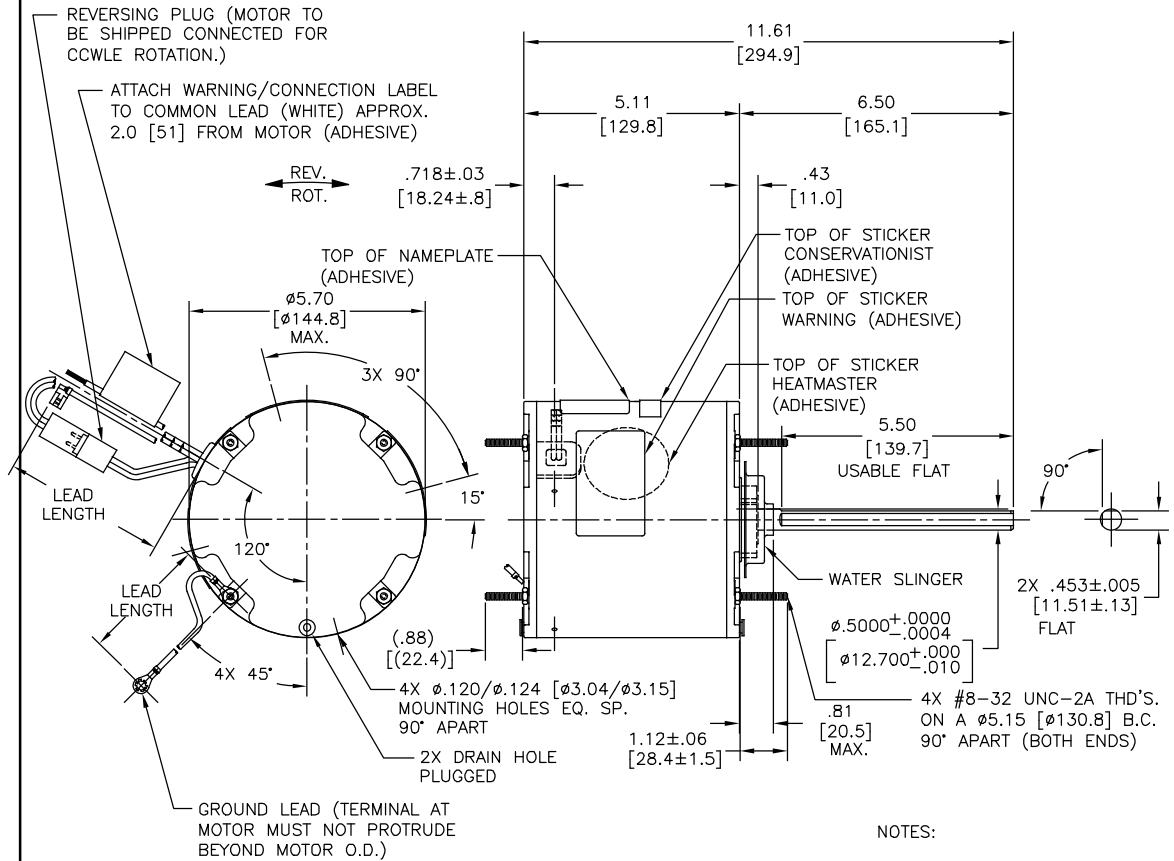
ELECTRICAL DATA:

OVERLOAD PROTECTOR: AUTOMATIC RESET (T.I. 7AM 304)

LINE LEADS: NO. 18 GA., .06 [1.5] THK. XLP 125°C INSUL.

REVERSING PLUGS: NO. 18 GA., .03 [.8] THK. XLP 125°C INSUL.

GROUND LEAD: NO. 18 GA., .03 [.8] THK. (GREEN) INSUL.



- NOTES:
1. ATTACH INSTRUCTION SHEET 681572-003 ONTO SHAFT APPROX. 1.0[25] FROM WATER SLINGER (OR 69P9-3 ONLY USED IN MEXICO)
 2. (4) SCREWS 615982-001 & (4) EXTRA HEX NUTS 7555A19H01 TO BE PUT IN A POLYBAG.
 3. DISTRIBUTION SERVICE CUST. P/N: FE1038SF GRAINGER CUST. P/N: 4MB19

NAMEPLATE DATA:	EXTERNAL CONNECTION DIAGRAM
MODEL NO.: F48X79A01 CUST. P/N: SEE NOTE 3 HP: 1/3 ROT.: REVERSIBLE RPM: 825 TYPE: UF FRAME: 48 VOLTS: 208-230 PH: 1 AMPS: 2.1 HZ: 60 INS.: F AMB.: 70°C DUTY: AIR OVER CAP.: 7.5 MFD/370 V ENCL: ENCLOSED UL LOGO CSA LOGO THERMALLY PROTECTED	SEP. CAP. BROWN BRN/WHT WHITE BLACK LINE ROTATION BLACK BLACK WHITE WHITE CCWLE WHITE CWLE 614131-242

PERFORMANCE CURVE NO.	TORQUE @ 825 RPM (25°C)	APPROVED SAMPLE	UL COMPONENT	CSA
FILE #	CCN #	FILE #	CLASS #	
C32579	40.1 OZ. FT.	0601196A	E46412 PRGY2	LR43341 4211-01

COLOR	LENGTH	TERMINAL OR STRIP LENGTH
GREEN (GROUND)	12.0/13.0 [305/330]	#10 EYELET
BLACK/WHITE	3.0/5.0 [76/127]	REVERSING PLUG
BROWN	48.0/51.0 [1219/1295]	.25 [6.4] FLAG
BROWN/WHITE	48.0/51.0 [1219/1295]	.25 [6.4] FLAG
WHITE	48.0/51.0 [1219/1295]	.50 [12.7] SKIN
BLACK	48.0/51.0 [1219/1295]	.50 [12.7] SKIN

REGAL-BELOIT CORPORATION (RBC) PROVIDES TECHNICAL ASSISTANCE TO OUR CUSTOMERS IN SEVERAL AREAS. SINCE RBC DOES NOT RECEIVE ALL DATA CONCERNING THE USE AND APPLICATION OF THE MOTOR, THE SUITABILITY OF THE MOTOR FOR THE APPLICATION MUST BE DETERMINED BY THE CUSTOMER.

DIMENSIONS WITHOUT TOLERANCES ARE FOR REFERENCE ONLY.

MAIN FRAME - OLE	ENCLOSED
END FRAME - OLE	ENCLOSED
MAIN FRAME - LE	ENCLOSED
END FRAME - LE	ENCLOSED

DRAWING REVISION	REVISION BY	DATE
E	GELINE ZHAO	05-23-2019
ECO	KEYUN QONG	05-23-2019

SEE ECO

REGAL-BELOIT CORPORATION (RBC) PROVIDES TECHNICAL ASSISTANCE TO OUR CUSTOMERS IN SEVERAL AREAS. SINCE RBC DOES NOT RECEIVE ALL DATA CONCERNING THE USE AND APPLICATION OF THE MOTOR, THE SUITABILITY OF THE MOTOR FOR THE APPLICATION MUST BE DETERMINED BY THE CUSTOMER.

DRAWN BY: JRUPERT DATES: 04-29-2011 APPROVED BY: JRUPERT DATES: 04-29-2011 REFERENCE: - THIRD ANGLE PROJECTION	REGAL BELOIT America, Inc. DESCRIPTION: MODEL-RFHP-48FR OUTLINE MATERIAL: - PROCESS/FINISH: - SIZE DWG NO: C SHEET: 1
---	--

CUSTOMER	DISTRIBUTION SERVICE
----------	----------------------