

4

3

2

1

REV	ECO	REV BY	DATE	APPD	DATE
B	0025547	I.MATA	04-30-2012	R.RASCON	04-30-2012

GENERAL INFORMATION:

SHAFT RUNOUT: .001 [.03] T.I.R. PER INCH[25.4mm] LENGTH OF EXTENSION  
 BEARINGS: BALL  
 MOUNTING POSITION: VERTICAL SHAFT UP OR DOWN

ELECTRICAL DATA:

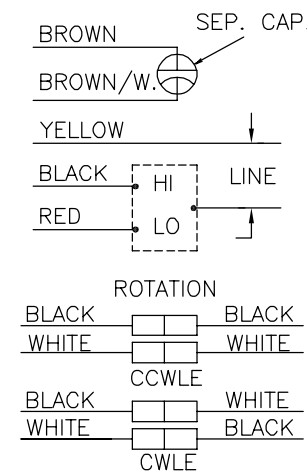
OVERLOAD PROTECTOR: AUTOMATIC RESET (T.I. 7AM 036)  
 LEADS: NO. 18 GA., .06 [1.5] THK., PVC 105°C INSUL.  
 REVERSING LEADS: NO. 18 GA., .03 [.8] THK., 125°C INSUL.  
 GROUND LEAD: NO. 18 GA., .03 [.8] THK., (GREEN) INSUL.

NAMEPLATE DATA:

MODEL NO.: F48A04A01  
 CUST. P/N: [ ]  
 HP: 1/3  
 ROT.: REVERSIBLE  
 RPM: 1075/2 SPD  
 TYPE: UF  
 FRAME: 48Y  
 VOLTS: 208-230  
 PH: 1  
 AMPS: 1.8 (2.8 MAX.)  
 HZ: 60  
 INS.: B  
 AMB.: 60 °C  
 DUTY: AIR OVER  
 CAP: 7.5 MFD/370V  
 ENCL: ENCLOSED  
 CSA LOGO  
 UL LOGO  
 THERMALLY PROTECTED

SEE NOTE 1

EXTERNAL CONNECTION DIAGRAM



614131-109

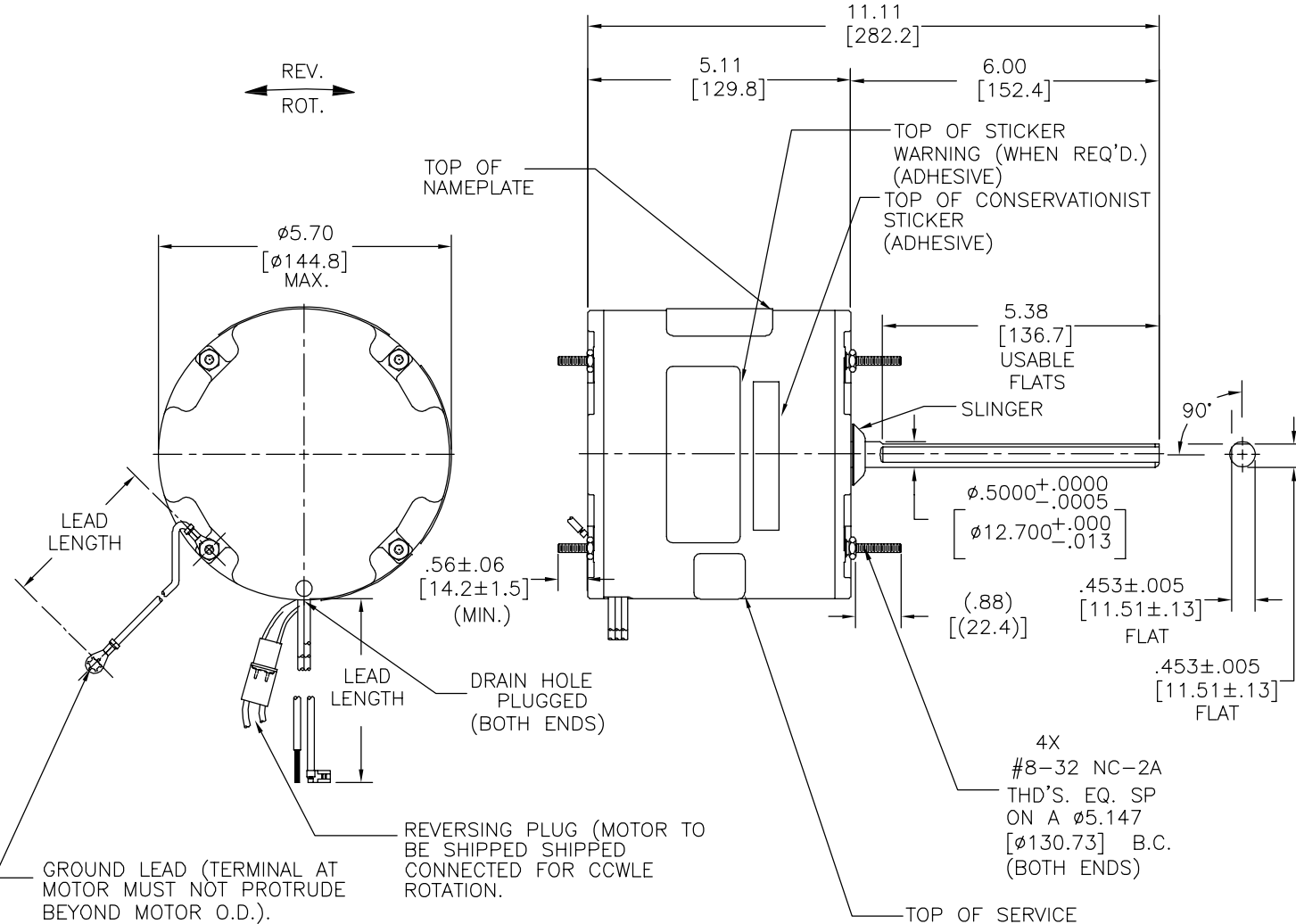
PERFORMANCE CURVE NO.	TORQUE @ 1075 RPM (25°C)	APPROVED SAMPLE	UL COMPONENT		CSA	
C23418	39.4 OZ. FT.	EX11197-1	FILE #	CCN #	FILE #	CLASS #
			E46412	PRGY2	LR43341	4211-01

GEOMETRIC CHARACTERISTICS & SYMBOLS  
 □ FLATNESS  
 - STRAIGHTNESS  
 < ANGLARITY  
 ⊥ PERPENDICULARITY (SQUARENESS)  
 // PARALLELISM  
 ○ ROUNDNESS (CIRCULARITY)  
 ∅ CYLINDRICITY  
 △ PROFILE OF ANY SURFACE  
 ∩ PROFILE OF ANY LINE  
 ↗ RUNOUT  
 ⊕ TRUE POSITION  
 ⊙ CONCENTRICITY  
 = SYMMETRY  
 ASME Y14.5M 1994

REGAL-BELOIT CORPORATION (RBC) PROVIDES TECHNICAL ASSISTANCE TO OUR CUSTOMERS IN SEVERAL AREAS. SINCE RBC DOES NOT RECEIVE ALL DATA CONCERNING THE USE AND APPLICATION OF THE MOTOR, THE SUITABILITY OF THE MOTOR FOR THE APPLICATION MUST BE DETERMINED BY THE CUSTOMER.  
 DIMENSIONS WITHOUT TOLERANCES ARE FOR REFERENCE ONLY.

DR BY: DZ 02-21-2011  
 APPD: DZ 02-21-2011  
 EDS DATE 11-11-2011  
 FORMAT REV G  
 THIRD ANGLE PROJECTION  
 CONFIDENTIAL: THIS DRAWING AND ITS INFORMATION ARE THE EXCLUSIVE AND CONFIDENTIAL PROPERTY OF REGAL-BELOIT CORPORATION AND ARE NOT TO BE DISCLOSED, DUPLICATED, DISTRIBUTED OR OTHERWISE USED WITHOUT THE WRITTEN CONSENT OF REGAL-BELOIT CORPORATION. -ALL RIGHTS RESERVED.

REGAL-BELOIT CORPORATION  
 DESCRIPTION: MODEL-RFHP-48FR OUTLINE  
 SIZE: C DWG NO: F48A04A01  
 SCALE: NONE SHEET: 1



BLACK/WHITE	3.0/5.0 [76/127]	REVERSING PLUG
GREEN (GRD)	12.0/13.0 [305/330]	#10 EYELET
BROWN/WHITE	26.0/28.0 [660/711]	.25 [6.4] FLAG
BROWN	26.0/28.0 [660/711]	.25 [6.4] FLAG
YELLOW	26.0/28.0 [660/711]	.50 [12.7] SKIN
BLACK	26.0/28.0 [660/711]	.50 [12.7] SKIN
RED	26.0/28.0 [660/711]	.50 [12.7] SKIN
COLOR	LENGTH	TERMINAL OR STRIP LENGTH

MAIN FRAME - OLE	ENCLOSED
END FRAME - OLE	ENCLOSED
MAIN FRAME - LE	ENCLOSED
END FRAME - LE	ENCLOSED

CUST.	DISTRIBUTION SERVICE
-------	----------------------

NOTE:  
 1. DISTRIBUTION PART NUMBER: FE1036  
 GRAINGER PART NUMBER: 4MB43

4

3

2

1

4

3

2

1

REVISION:	ECO	REVISADO POR:	FECHA:	APROBADO POR:	FECHA:
B	0025547	I.MATA	04-30-2012	R.RASCON	04-30-2012

INFORMACION GENERAL:

OSCILACION DE FLECHA: .001 [.03] L.T.I. LONGITUD DE EXTENSION POR PULGADA

BALEROS: BOLA

POSICION DE MONTAJE: TODO EL ANGULO

DATOS ELECTRICOS:

SOBRECARGA DEL PROTECTOR: REINICIO AUTOMATICO (T.I. 7AM 036)

CABLES DE LINEA: NO. 18 GA., .06 [.15] DE ESPESOR EPDM 125°C AISLANTE

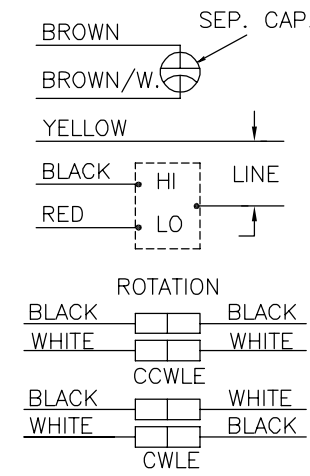
TAPON DE INVERSION: NO. 18 GA., .03 [.8] ESPESOR XLP 125°C AISLANTE

CABLE DE TIERRA: NO. 18 GA., .03 [.8] ESPESOR (VERDE) AISLANTE

DATOS DE PLACA DE DATOS:

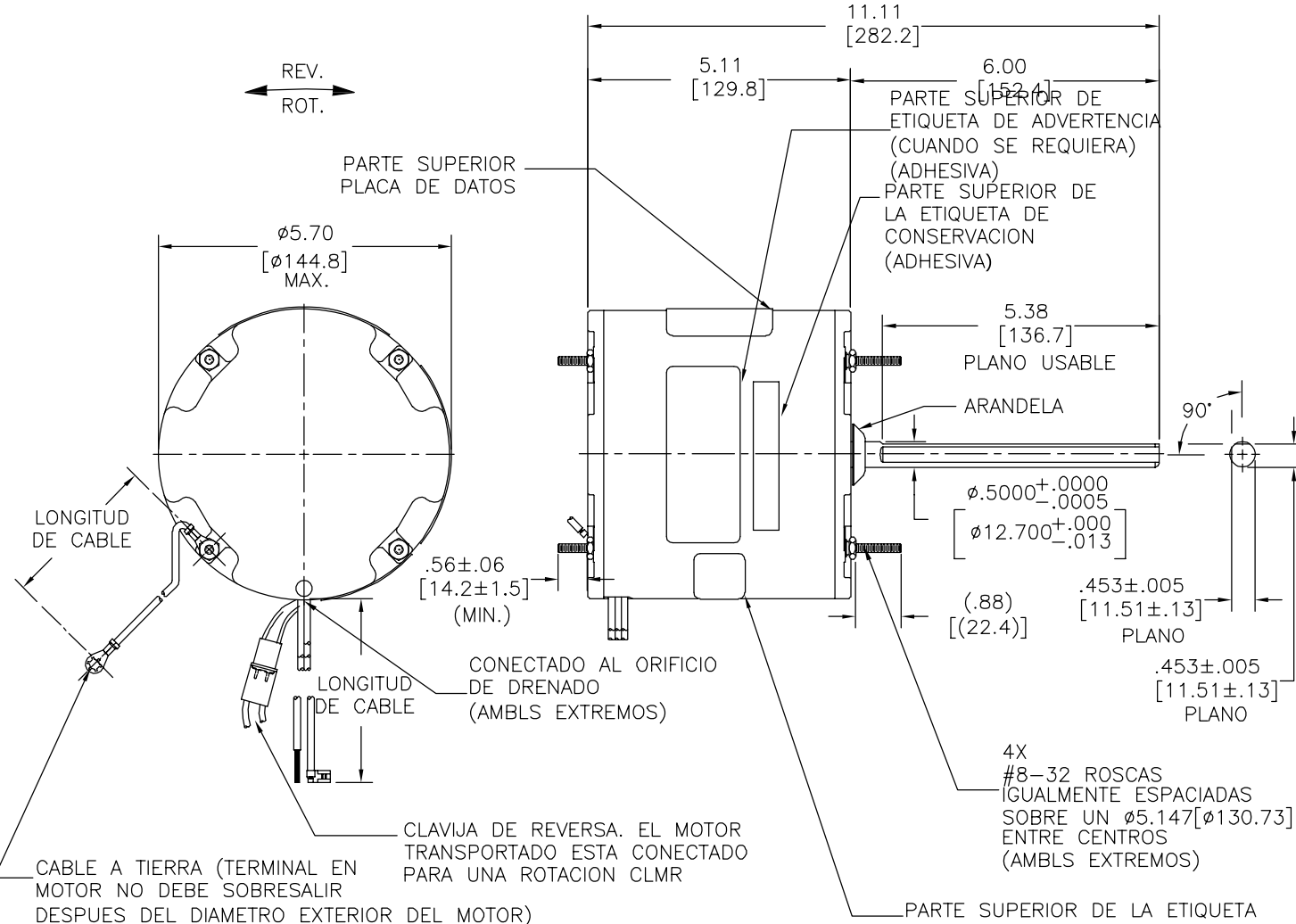
MODEL NO.: F48A04A01  
 CUST. P/N: [ ]  
 HP: 1/3  
 ROT.: REVERSIBLE  
 RPM: 1075/2 SPD  
 TYPE: UF  
 FRAME: 48Y  
 VOLTS: 208-230  
 PH: 1  
 AMPS: 1.8 (2.8 MAX.)  
 HZ: 60  
 INS.: B  
 AMB.: 60 °C  
 DUTY: AIR OVER  
 CAP: 7.5 MFD/370V  
 ENCL: ENCLOSED  
 CSA LOGO  
 UL LOGO  
 THERMALLY PROTECTED

DIAGRAMA DE CONEXION EXTERNA



614131-109

CURVAS DE FUNCIONAMIENTO	TORSION @1075 RPM (25°C)	MUESTRA APROVADA	COMPONENTE UL	CSA
C23418	39.4 OZ. PIES	EX11197-1	#ARCHIVO CCN #	#ARCHIVO #CASE#
			E46412 PRGY2	LR43341 4211-01



NEGRO/BLANCO	3.0/5.0 [76/127]	INBERSION DE ENCHUFE
VERDE (TIERRA)	12.0/13.0 [305/330]	OJAL #10
CAFE/BLANCO	26.0/28.0 [660/711]	.25 [6.4] BANDERA
CAFE	26.0/28.0 [660/711]	.25 [6.4] BANDERA
AMARILLO	26.0/28.0 [660/711]	.50 [12.7] FORRO
NEGRO	26.0/28.0 [660/711]	.50 [12.7] FORRO
ROJO	26.0/28.0 [660/711]	.50 [12.7] FORRO
COLOR	LONGITUD	TERMINAL O LONGITUD DE DESFORRE

NOTA:  
 1. DISTRIBUCION: CLIENTE N/P: FE1036  
 GRAINGER: CLIENTE N/P: 4M B43

CUERPO PPAL.-OLE	CERRADO
TAPA FINAL - OLE	CERRADO CON ORIFICIO DE DRENADO
CUERPO PPAL.-OLE	CERRADO
TAPA FINAL - OLE	CERRADO CON ORIFICIO DE DRENADO

CLIENTE	DISTRIBUTION SERVICE
---------	----------------------

CARACTERISTICAS DE GEOMETRIA Y SIMBOLOS  
 ▽ PLANICIDAD  
 — RECTITUD  
 < ANGULARIDAD  
 ⊥ PERPENDICULARIDAD (A ESCUADRA)  
 // PARALELISMO  
 ○ REDONDEZ (CIRCULARIDAD)  
 ∅ CILINDRICIDAD  
 △ PERFIL DE CUALQUIER SUPERFICIE  
 ∇ PERFIL DE CUALQUIER LINEA  
 ↗ VARIACION  
 ⊕ POSICION REAL  
 ⊙ CONCENTRICIDAD  
 = SIMETRIA  
 ASME Y14.5M 1994

REGAL-BELOIT CORPORATION (RBC) PROVEE ASISTENCIA TECNICA A NUESTROS CLIENTES EN VARIAS AREAS. DESDE QUE RBC NO RECIBE TODOS LOS DATOS EN RELACION AL USO Y A LA APLICACION DEL MOTOR, LA APLICACION ADECUADA DEL MOTOR DEBE SER DETERMINADA POR EL CLIENTE.  
 DIMENSIONES SIN TOLERANCIA SON DE REFERENCIA SOLAMENTE

DIBUJADO POR:	DZ	02-21-2011
APROBADO POR:	DZ	02-21-2011
TERCER ANGULO DE PROYECCION	FECHA EDS: 11-11-2011	REV. FORMATO: G
CONFIDENCIAL: ESTE DIBUJO Y SU INFORMACION SON PROPIEDAD DE USO EXCLUSIVO Y CONFIDENCIAL DE REGAL-BELOIT CORPORATION. Y NO DEBERAN SER REVELADOS, DUPLICADOS, DISTRIBUIDOS O USARSE DE OTRA MANERA SIN EL CONSENTIMIENTO ESCRITO DE REGAL-BELOIT CORPORATION. -TODOS LOS DERECHOS RESERVADOS.		

DESCRIPCION: MODEL-RFHP-48FR OUTLINE	
TAMAÑO: C	NUMERO DE DIBUJO: F48A04A01
ESCALA: NONE	HOJA: 1

4

3

2

1

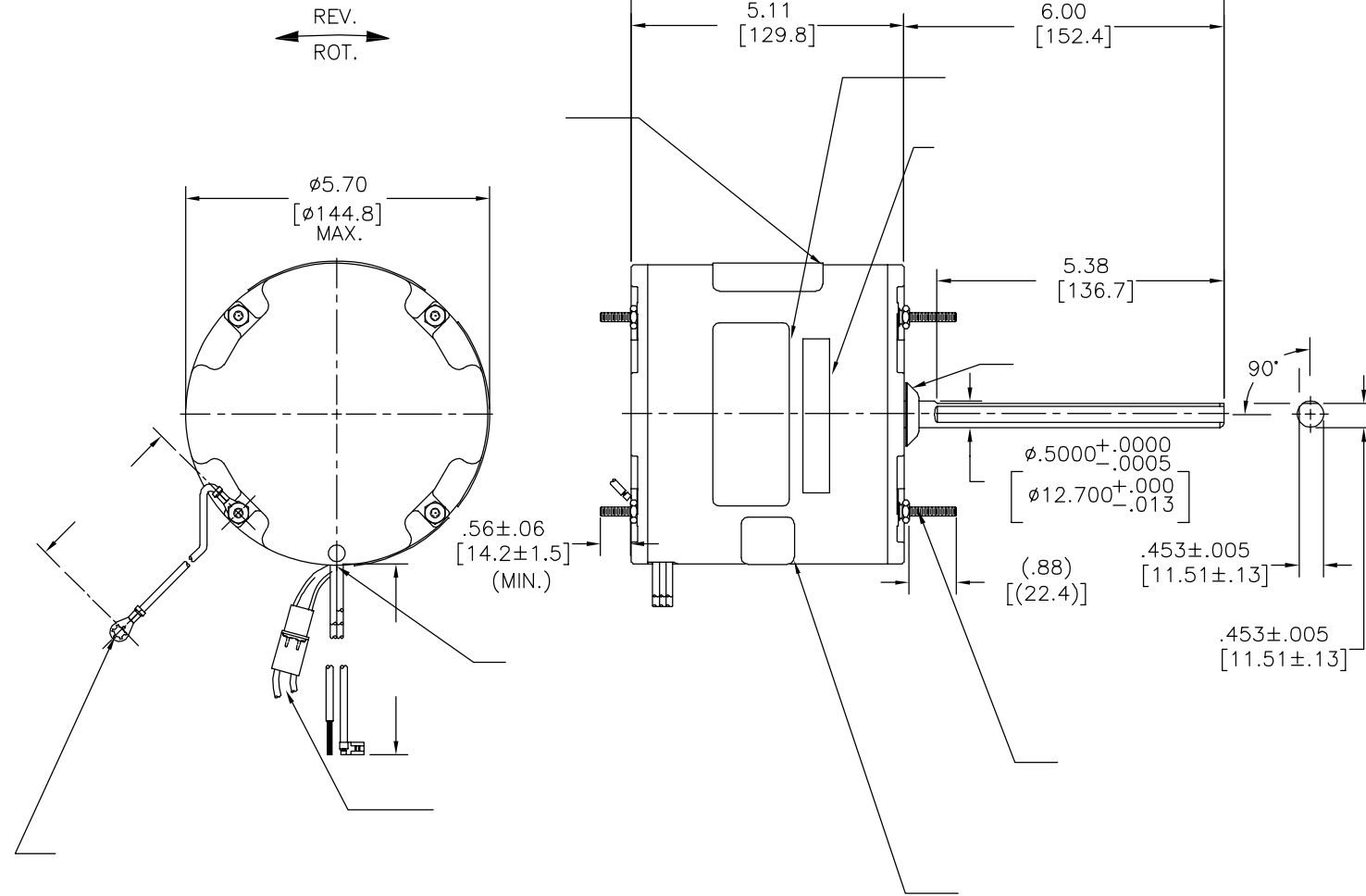
4

3

2

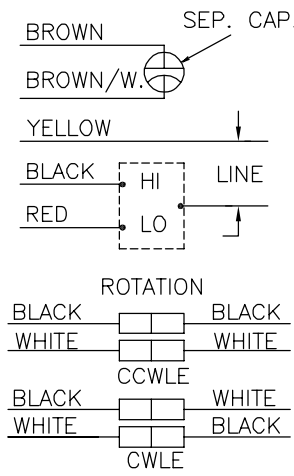
1

版本	ECO	编制	日期	批准	日期
B	0025547	I.MATA	04-30-2012	R.RASCON	04-30-2012



	3.0/5.0	
	[76/127]	
	12.0/13.0	
	[305/330]	
	26.0/28.0	.25 [6.4]
	[660/711]	
	26.0/28.0	.25 [6.4]
	[660/711]	
	26.0/28.0	.50 [12.7]
	[660/711]	
	26.0/28.0	.50 [12.7]
	[660/711]	
	26.0/28.0	.50 [12.7]
	[660/711]	

MODEL NO.: F48A04A01  
 CUST. P/N: [ ]  
 HP: 1/3  
 ROT.: REVERSIBLE  
 RPM: 1075/2 SPD  
 TYPE: UF  
 FRAME: 48Y  
 VOLTS: 208-230  
 PH: 1  
 AMPS: 1.8 (2.8 MAX.)  
 HZ: 60  
 INS.: B  
 AMB.: 60 °C  
 DUTY: AIR OVER  
 CAP: 7.5 MFD/370V  
 ENCL: ENCLOSED  
 CSA LOGO  
 UL LOGO  
 THERMALLY PROTECTED



614131-109

				CSA			
	FILE #	CCN #	FILE #	CLASS #			
C23418	39.4 OZ. FT.	EX11197-1	E46412	PRGY2	LR43341	4211-01	

- 形位公差
- 平面度
- 直线度
- ∠ 倾斜度
- ⊥ 垂直度
- // 平行度
- 圆度
- ⊘ 圆柱度
- △ 面轮廓度
- ∩ 线轮廓度
- ↗ 圆跳动
- ⊕ 位置度
- ⊙ 同轴度
- ≡ 对称度

ASME Y14.5M 1994

REGAL-BELOIT CORPORATION (RBC) 在个别领域为客户提供技术支持。鉴于RBC未收到任何涉及电机使用和应用环境的数据，电机的适用性由客户自己决定。

未注公差尺寸仅供参考。

绘图:	DZ	02-21-2011
批准:	DZ	02-21-2011
第三角投影		图纸格式发布日期 11-11-2011 图纸格式版本 G
机密: 本图纸及相关信息所有权归REGAL-BELOIT CORPORATION。未经REGAL-BELOIT CORPORATION书面授权, 不得泄露、复制、传播或作其他用途。—版权所有		



名称		MODEL-RFHP-48FR OUTLINE
图幅	C	图号
比例	NONE	页号
		1

4

3

2

1