

4

3

2

1

版本	ECO	编制	日期	批准	日期
E	0039779	G. RODRIGUEZ	01-28-2014	TERESITA REYES	01-28-2014

总技术要求:

轴跳动: .001[.03]/1[25.4]外伸轴

轴串: .010 到 .063 [.25 到 1.60]

轴承: 滑动轴承

安装位置: 水平

电气数据:

过载保护: 自动复位 (T.I. 7AM 036)

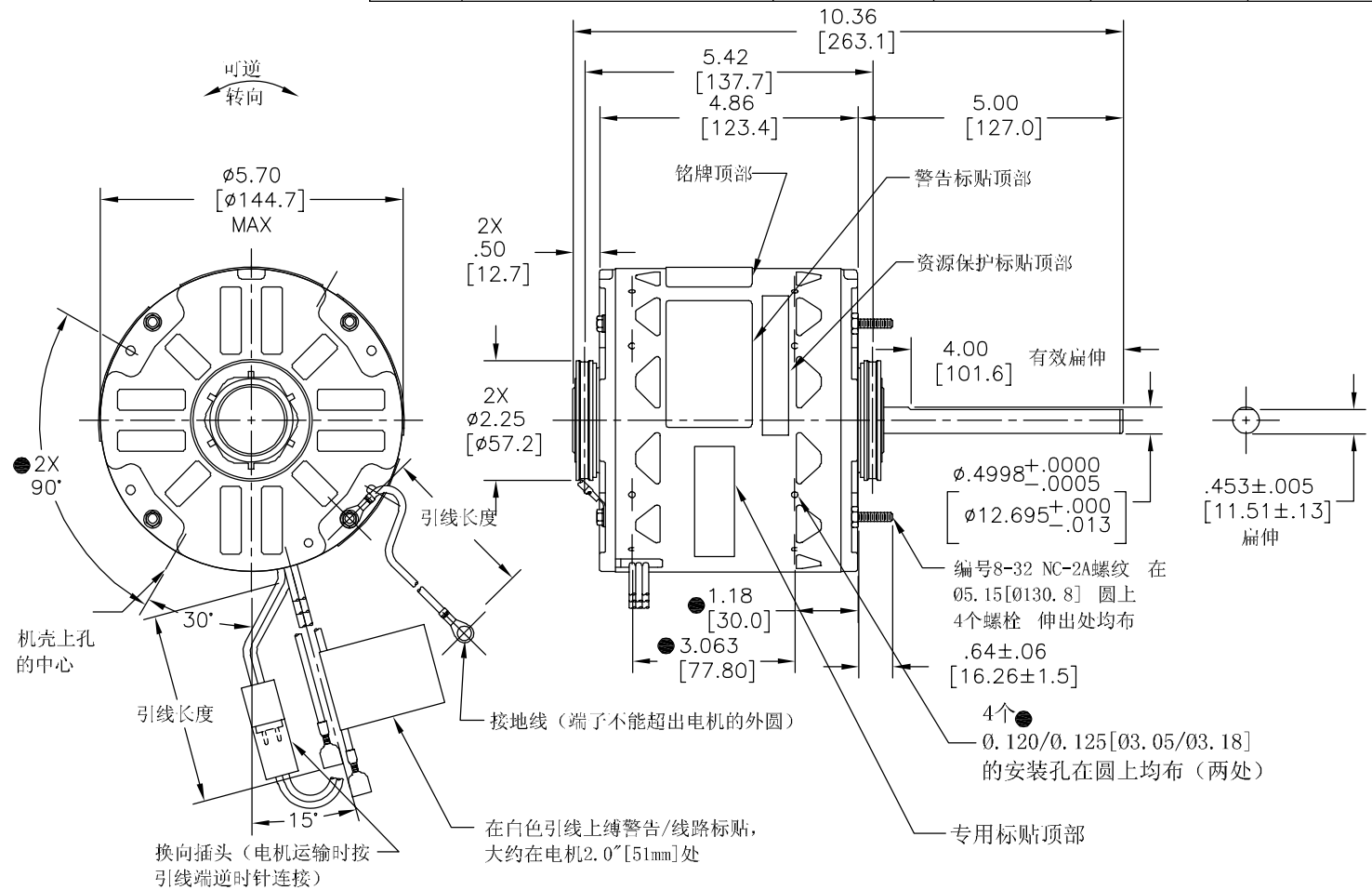
引线: 18# (美制标准), 厚.03[.8] XLP 125° C 绝缘

换向线: 18# (美制标准), 厚.03[0.8] XLP 125° C 绝缘

接地线: 18# (美制标准), 厚.03[0.8]绿色绝缘

技术要求:

- 有 ● 为关键要求。
- 将4个弹垫(615035) (或53P26-1 只用于墨西哥); 8个螺钉(615982-001)和1个电容器(2509074-001), 一个卡箍(2518746-001)装在一个小塑料袋内并附在每台电机的包装箱中



绿 (接地线)	9.0/11.0 [229/279]	.25[6.4]接地片
黑/白	3.0/5.0 [76/127]	换向插头
棕	36.5/39.5 [927/1003]	.25 [6.4] 旗形插
棕/白	36.5/39.5 [927/1003]	.25 [6.4] 旗形插
红	36.5/39.5 [927/1003]	.25 [6.4] 旗形插
黄	36.5/39.5 [927/1003]	.25 [6.4] 旗形插
蓝	36.5/39.5 [927/1003]	.25 [6.4] 旗形插
黑	36.5/39.5 [927/1003]	.25 [6.4] 旗形插
白	36.5/39.5 [927/1003]	.25 [6.4] 旗形插
颜色	长度	端子或剥线长度

无引线端机壳	开启
无引线端端盖	开启
有引线端机壳	开启
有引线端端盖	开启

用户 分销客户

铭牌数据	外部数据线
MODEL NO.: F48AD79A01 CUST. P/N: FDL6001A HP: 1/2 MAX. ROT.: REVERSIBLE RPM: 1075/4 SPD. TYPE: UF FRAME: 48 VOLTS: 115 PH: 1 AMPS: 7.0 MAX. HZ: 60 INS.: B AMB.: 40° C DUTY: AIR OVER CAP.: 10 MFD/370 V ENCL: OPEN UL LOGO CSA LOGO THERMALLY PROTECTED	BROWN SEP. CAP. BRN/WHT WHITE BLACK HI BLUE MH YELLOW ML RED LO ROTATION BLACK CCWLE WHITE CWLE BLACK CWLE WHITE CCWLE

性能曲线编号	转矩在 1075 RPM (25° C)	批准样品	UL 部件		CSA	
C31866	49.5 OZ. FT.	99AC165A	文件号	指南	文件号	指南
			E46412	PRGY2	LR43341	4211-01

形位公差
 □ 平面度
 — 直线度
 < 倾斜度
 ⊥ 垂直度
 // 平行度
 ○ 圆度
 ⊙ 圆柱度
 △ 面轮廓度
 ⊖ 线轮廓度
 ↗ 圆跳动
 ⊕ 位置度
 ⊙ 同轴度
 ≡ 对称度

ASME Y14.5M 1994

REGAL-BELOIT CORPORATION (RBC) 在个别领域为客户提供技术支持。鉴于RBC未收到任何涉及电机使用和应用环境的数据, 电机的适用性由客户自己决定。

未注公差尺寸仅供参考。

绘图:	R.RASCON	04-28-2011
批准:	L.GRADO	04-28-2011
第三角投影		图纸格式发布日期 11-11-2011 图纸格式版本 H
机密: 本图纸及相关信息所有权归REGAL-BELOIT CORPORATION。未经REGAL-BELOIT CORPORATION书面授权, 不得泄露、复制、传播或作其他用途。—版权所有		

REGAL REGAL-BELOIT CORPORATION	
名称	MODEL-RFHP-48FR OUTLINE
图幅	C 图号 FDL6001A
比例	NONE 页号 1

4

3

2

1

4

3

2

1

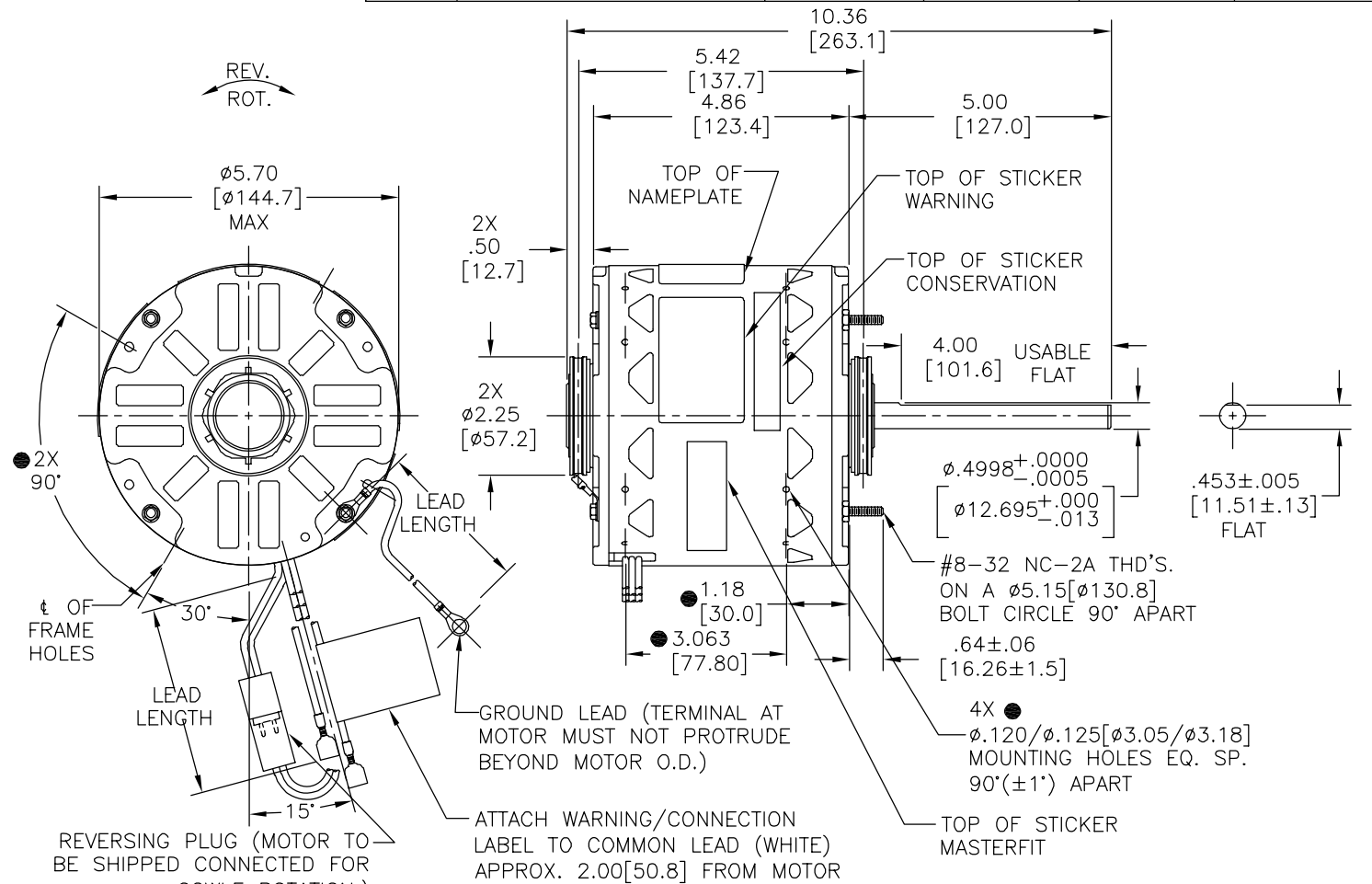
REV	ECO	REV BY	DATE	APPD	DATE
E	0039779	G. RODRIGUEZ	01-28-2014	TERESITA REYES	01-28-2014

GENERAL INFORMATION:

SHAFT RUNOUT: .001 [.03] T.I.R. PER INCH LENGTH OF EXTENSION
 END PLAY: .010 TO .063 [.25 TO 1.60]
 BEARINGS: SLEEVE
 MOUNTING POSITION: HORIZONTAL
ELECTRICAL DATA:
 OVERLOAD PROTECTOR: AUTOMATIC RESET (SENSATA 7AM 036)
 LINE LEADS: NO. 18 GA., .03[.8] THK. XLP 125°C INSUL.
 REVERSING PLUGS: NO. 18 GA., .03[.8] THK. XLP 125°C INSUL.
 GROUND LEAD: NO. 18 GA., .03[.8] THK. (GREEN) INSUL.

NOTES:

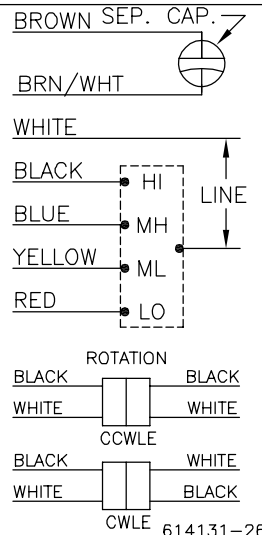
- DENOTES CRITICAL CHARACTERISTICS.
- (4) SPLIT RING ADAPTOR 615035 (OR 53P26-1 ONLY USED IN MEXICO), (8) SCREWS 615982-001, (1) 2518746-001 CLAMP AND (1) CAPACITOR 2509074-001 TO BE PUT IN A POLYBAG & BE PACKED WITH EACH MOTOR.



NAMEPLATE DATA:

EXTERNAL CONNECTION DIAGRAM

MODEL NO.: F48AD79A01
 CUST. P/N: FDL6001A
 HP: 1/2 MAX.
 ROT.: REVERSIBLE
 RPM: 1075/4 SPD.
 TYPE: UF
 FRAME: 48
 VOLTS: 115
 PH: 1
 AMPS: 7.0 MAX.
 HZ: 60
 INS.: B
 AMB.: 40° C
 DUTY: AIR OVER
 CAP.: 10 MFD/370 V
 ENCL: OPEN
 UL LOGO
 CSA LOGO
 THERMALLY PROTECTED



GREEN (GROUND)	9.0/11.0 [229/279]	.25[6.4] RING
BLACK/WHITE	3.0/5.0 [76/127]	REVERSING PLUG
BROWN	36.5/39.5 [927/1003]	.25[6.4] FEMALE
BROWN/WHITE	36.5/39.5 [927/1003]	.25[6.4] FEMALE
RED	36.5/39.5 [927/1003]	.25[6.4] FEMALE
YELLOW	36.5/39.5 [927/1003]	.25[6.4] FEMALE
BLUE	36.5/39.5 [927/1003]	.25[6.4] FEMALE
BLACK	36.5/39.5 [927/1003]	.25[6.4] FEMALE
WHITE	36.5/39.5 [927/1003]	.25[6.4] FEMALE
COLOR	LENGTH	TERMINAL OR STRIP LENGTH

MAIN FRAME - OLE	OPEN
END FRAME - OLE	OPEN
MAIN FRAME - LE	OPEN
END FRAME - LE	OPEN

CUSTOMER	DISTRIBUTION SERVICE
----------	----------------------

PERFORMANCE CURVE NO.	TORQUE @1075 RPM (25°C)	APPROVED SAMPLE	UL COMPONENT FILE#	GUIDE#	CSA FILE#	GUIDE#
C31866	49.5 OZ. FT.	99AC165A	E46412	PRGY2	LR43341	4211-01

GEOMETRIC CHARACTERISTICS & SYMBOLS
 ▽ FLATNESS
 — STRAIGHTNESS
 ∠ ANGULARITY
 ⊥ PERPENDICULARITY (SQUARENESS)
 // PARALLELISM
 ○ ROUNDNESS (CIRCULARITY)
 ∅ CYLINDRICITY
 △ PROFILE OF ANY SURFACE
 ∩ PROFILE OF ANY LINE
 ∠ RUNOUT
 ⊕ TRUE POSITION
 ⊙ CONCENTRICITY
 = SYMMETRY
 ASME Y14.5M 1994

REGAL-BELOIT CORPORATION (RBC) PROVIDES TECHNICAL ASSISTANCE TO OUR CUSTOMERS IN SEVERAL AREAS. SINCE RBC DOES NOT RECEIVE ALL DATA CONCERNING THE USE AND APPLICATION OF THE MOTOR, THE SUITABILITY OF THE MOTOR FOR THE APPLICATION MUST BE DETERMINED BY THE CUSTOMER.
 DIMENSIONS WITHOUT TOLERANCES ARE FOR REFERENCE ONLY.

DR BY: R.RASCON 04-28-2011
 APPD: L.GRADO 04-28-2011
 THIRD ANGLE PROJECTION
 CONFIDENTIAL: THIS DRAWING AND ITS INFORMATION ARE THE EXCLUSIVE AND CONFIDENTIAL PROPERTY OF REGAL-BELOIT CORPORATION AND ARE NOT TO BE DISCLOSED, DUPLICATED, DISTRIBUTED OR OTHERWISE USED WITHOUT THE WRITTEN CONSENT OF REGAL-BELOIT CORPORATION. -ALL RIGHTS RESERVED.

REGAL REGAL-BELOIT CORPORATION

DESCRIPTION: MODEL-RFHP-48FR OUTLINE

SIZE: C DWG NO: FDL6001A

SCALE: NONE SHEET: 1

4

3

2

1

4

3

2

1

INFORMACION GENERAL:

OSCILACION DE FLECHA .001 [.03] L.T.I. LONGITUD DE EXTENSION

JUEGO AXIAL: .010 A .063 [.25 A 1.60]

BALEROS: MANGA

POSICION DEL MONTAJE: HORIZONTAL

INFORMACION ELECTRICA:

PROTECTOR DE SOBRECARGA: REINICIO AUTOMATICO (SENSATA 7AM 036)

CABLES EN LINE: CAL NO. 18, .03[.8] XLP 125°C AISLAM.

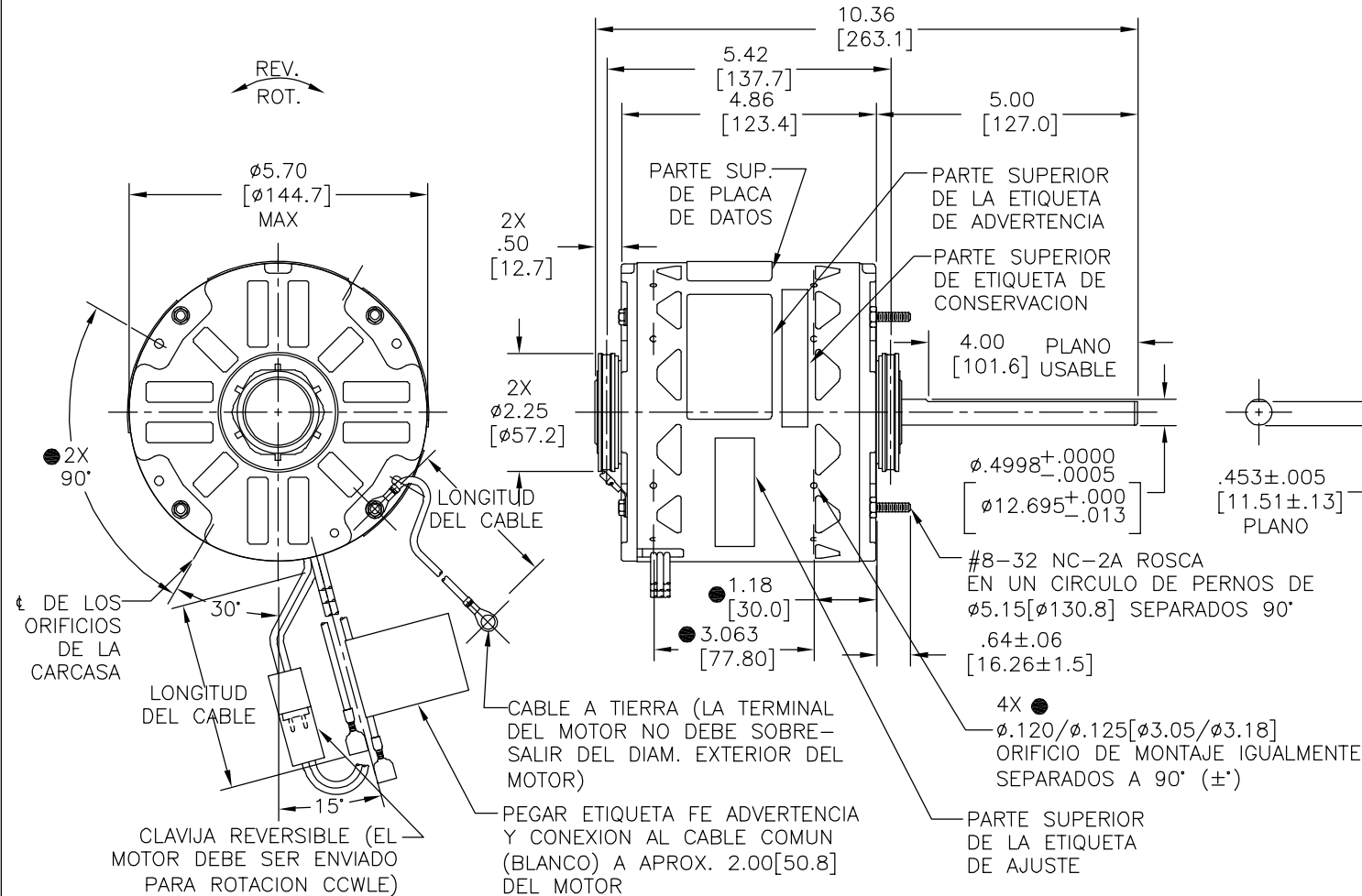
CABLES REVERSIBLES: CAL NO. 18, .03[.8] ESPESOR XLP 125° AISLAM.

CABLE DE TIERRA: CAL NO. 18, .03[.8] DE ESPESOR (VERDE) AISLAM.

NOTAS:

- INDICA CARACTERISTICAS CRITICAS.
- (4) ANILLO ADAPTADOR CON RANURA 615035, (8) TORNILLOS 615982-001, (1) ABRAZADERA 2518746-001 Y UN CAPACITOR 2509074-001 DEBEN PONERSE EN UNA BOLSA DE POLIESTER Y SER EMPACADO EN CADA MOTOR.

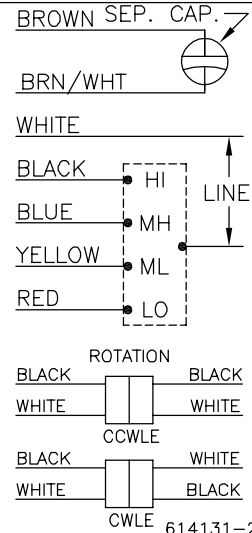
REVISION:	ECO	REVISADO POR:	FECHA:	APROBADO POR:	FECHA:
E	0039779	G. RODRIGUEZ	01-28-2014	TERESITA REYES	01-28-2014



INFORMACION DE ETIQUETA:

DIAGRAMA DE CONEXION EXTERNA

MODEL NO.: F48AD79A01
 CUST. P/N: FDL6001A
 HP: 1/2 MAX.
 ROT.: REVERSIBLE
 RPM: 1075/4 SPD.
 TYPE: UF
 FRAME: 48
 VOLTS: 115
 PH: 1
 AMPS: 7.0 MAX.
 HZ: 60
 INS.: B
 AMB.: 40° C
 DUTY: AIR OVER
 CAP.: 10 MFD/370 V
 ENCL: OPEN
 UL LOGO
 CSA LOGO
 THERMALLY PROTECTED



VERDE (TIERRA)	9.0/11.0 [229/279]	.25[6.3] ANILLO
NEGRO/BLANCO	3.0/5.0 [76/127]	CLAVIJA REVERSIBLE
CAFE	36.5/39.5 [927/1003]	.25[6.4] HEMBRA
CAFE/BLANCO	36.5/39.5 [927/1003]	.25[6.4] HEMBRA
ROJO	36.5/39.5 [927/1003]	.25[6.4] HEMBRA
AMARILLO	36.5/39.5 [927/1003]	.25[6.4] HEMBRA
AZUL	36.5/39.5 [927/1003]	.25[6.4] HEMBRA
NEGRO	36.5/39.5 [927/1003]	.25[6.4] HEMBRA
BLANCO	36.5/39.5 [927/1003]	.25[6.4] HEMBRA
COLOR	LONGITUD	TERMINAL O LONGITUD DE DESFORRE

DE CARCASA - OLE	ABIERTO
DE TAPA - OLE	ABIERTO
DE CARCASA - LE	ABIERTO
DE TAPA - LE	ABIERTO

CLIENTE

CURVAS DE FUNCIONAMIENTO	TORSION @ 1075 RPM (25°C)	MUESTRA APROBADA	COMPONENTE UL
C31866	49.5 OZ. FT.	99AC165A	#ARCHIVO GUIA # #ARCHIVO GUIA #
			E46412 PRGY2 LR43341 4211-01

CARACTERISTICAS DE GEOMETRIA Y SIMBOLOS
 ▽ PLANICIDAD
 — RECTITUD
 < ANGULARIDAD
 ⊥ PERPENDICULARIDAD (A ESCUADRA)
 // PARALELISMO
 ○ REDONDEZ (CIRCULARIDAD)
 ∅ CILINDRICIDAD
 △ PERFIL DE CUALQUIER SUPERFICIE
 ∩ PERFIL DE CUALQUIER LINEA
 ∠ VARIACION
 ⊕ POSICION REAL
 ⊙ CONCENTRICIDAD
 = SIMETRIA
 ASME Y14.5M 1994

REGAL-BELOIT CORPORATION (RBC) PROVEE ASISTENCIA TECNICA A NUESTROS CLIENTES EN VARIAS AREAS, DESDE QUE RBC NO RECIBE TODOS LOS DATOS EN RELACION AL USO Y A LA APLICACION DEL MOTOR, LA APLICACION ADECUADA DEL MOTOR DEBE SER DETERMINADA POR EL CLIENTE.
 DIMENSIONES SIN TOLERANCIA SON DE REFERENCIA SOLAMENTE

DIBUJADO POR: R.RASCON 04-28-2011
 APROBADO POR: L.GRADO 04-28-2011
 TERCER ANGULO DE PROYECCION
 CONFIDENCIAL: ESTE DIBUJO Y SU INFORMACION SON PROPIEDAD DE USO EXCLUSIVO Y CONFIDENCIAL DE REGAL-BELOIT CORPORATION. Y NO DEBERAN SER REVELADOS, DUPLICADOS, DISTRIBUIDOS O USARSE DE OTRA MANERA SIN EL CONSENTIMIENTO ESCRITO DE REGAL-BELOIT CORPORATION. -TODOS LOS DERECHOS RESERVADOS.

REGAL REGAL-BELOIT CORPORATION

DESCRIPCION: MODEL-RFHP-48FR OUTLINE

TAMAÑO: C NUMERO DE DIBUJO: FDL6001A

ESCALA: NONE HOJA: 1

4

3

2

1