

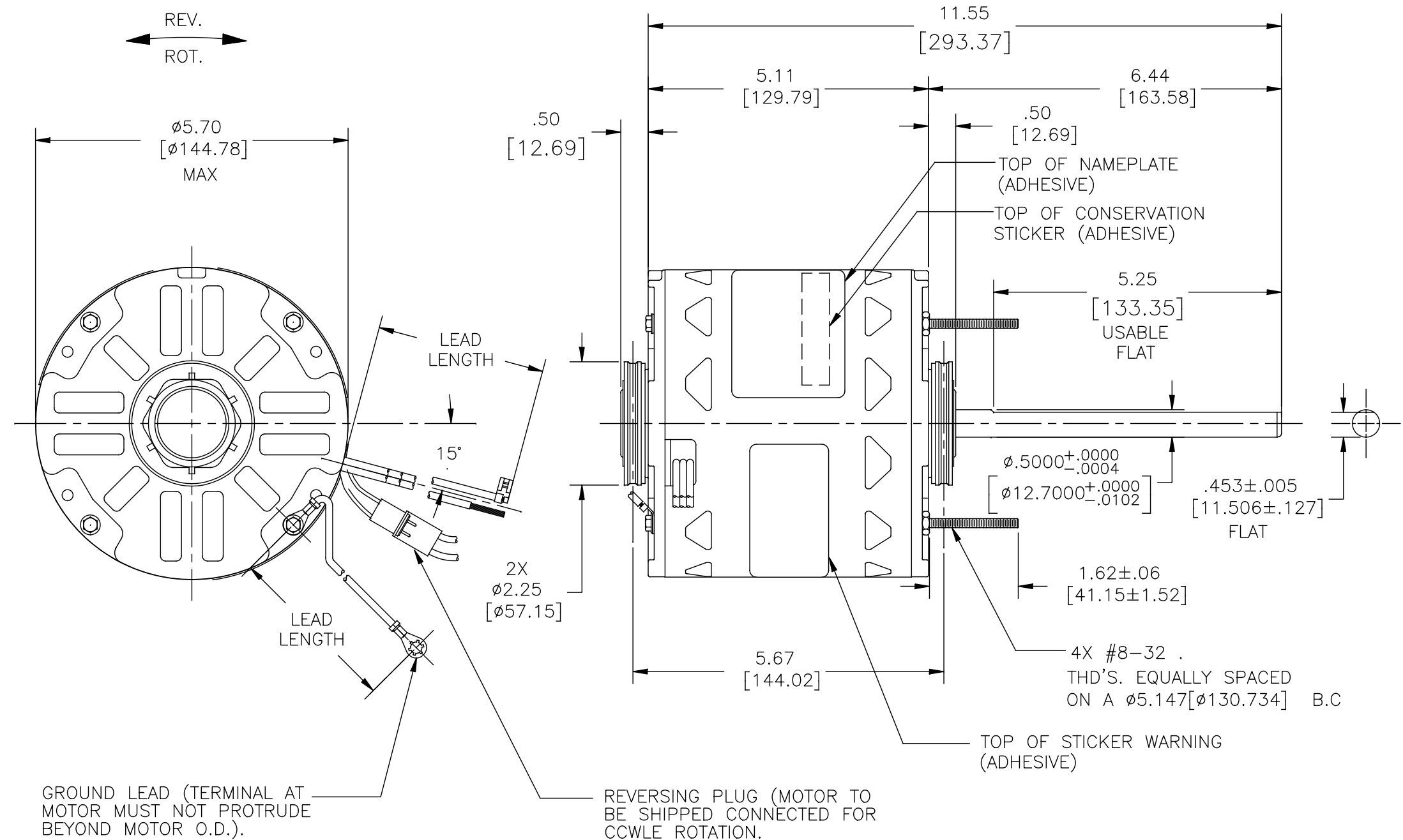
GENERAL INFORMATION:

SHAFT RUNOUT: .001 [.025] T.I.R. PER INCH LENGTH OF EXTENSION  
 END PLAY: .010[.254] TO .063[1.600]  
 BEARINGS: SLEEVE  
 MOUNTING POSITION: HORIZONTAL

ELECTRICAL DATA:

OVERLOAD PROTECTOR: AUTOMATIC RESET (T.I. 7AM 032)  
 LEADS: NO. 18 GA., .06 [1.52] THK. EPDM 125°C INSUL.  
 REVERSING PLUGS: NO. 18 GA., .03 [.76] THK. 125°C INSUL.  
 GROUND LEAD: NO. 18 GA., .03 [.76] THK. (GREEN) INSUL.

NOTE:  
 4X SNAP RINGS 615035 TO BE PACKED WITH EACH MOTOR.



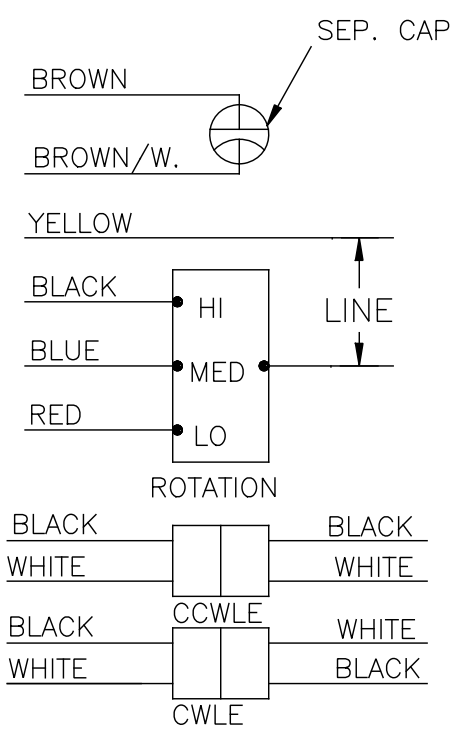
GROUND LEAD (TERMINAL AT MOTOR MUST NOT PROTRUDE BEYOND MOTOR O.D.).

REVERSING PLUG (MOTOR TO BE SHIPPED CONNECTED FOR CCWLE ROTATION).

NAMEPLATE DATA:

MODEL NO.: F48SN4L6  
 CUST. P/N: FDL1054  
 HP: 1/2  
 ROT.: REVERSIBLE  
 RPM: 1625/3 SPD.  
 TYPE: UF  
 FRAME: 48Y  
 VOLTS: 115  
 PH: 1  
 AMPS: 7.6 (10.0 MAX)  
 HZ: 60  
 INS.: A  
 AMB.: 40°C  
 DUTY: AIR OVER  
 CAP.: 15 MFD/370V  
 ENCL: OPEN  
 UL LOGO  
 CSA LOGO  
 THERMALLY PROTECTED

EXTERNAL CONNECTION DIAGRAM



614131-111

COLOR	LENGTH	TERMINAL OR STRIP LENGTH
GREEN (GROUND)	12/13 [305/330]	#10 EYELET
BLACK/WHITE	3/5 [76/127]	REVERSING PLUG
BROWN	26/28 [660/711]	.25 [6.35] FLAG
BROWN/WHITE	26/28 [660/711]	.25 [6.35] FLAG
YELLOW	26/28 [660/711]	.50 [12.70] SKIN
BLACK	26/28 [660/711]	.50 [12.70] SKIN
BLUE	26/28 [660/711]	.50 [12.70] SKIN
RED	26/28 [660/711]	.50 [12.70] SKIN

REGAL-BELOIT CORPORATION (RBC) PROVIDES TECHNICAL ASSISTANCE TO OUR CUSTOMERS IN SEVERAL AREAS. SINCE RBC DOES NOT RECEIVE ALL DATA CONCERNING THE USE AND APPLICATION OF THE MOTOR, THE SUITABILITY OF THE MOTOR FOR THE APPLICATION MUST BE DETERMINED BY THE CUSTOMER.

DIMENSIONS WITHOUT TOLERANCES ARE FOR REFERENCE ONLY.

MAIN FRAME - OLE	OPEN
END FRAME - OLE	OPEN
MAIN FRAME - LE	OPEN
END FRAME - LE	OPEN

CUSTOMER	DISTRIBUTION SERVICE
----------	----------------------

PERFORMANCE CURVE NO.	TORQUE @ 1625 RPM (25°C)	APPROVED SAMPLE	UL COMPONENT		CSA	
			FILE #	CCN #	FILE #	CLASS #
C31129	38.0 OZ. FT.	94AE831A	E46412	PRGY2	LR43341	4211-01

DRAWING REVISION B	REVISION BY J. CHAI	DATE 11-22-2016
ECO	APPROVED BY G. ZHAO	DATE 11-22-2016
ECO DESCRIPTION SEE ECO		

COPYRIGHT REGAL-BELOIT AMERICA, INC. ALL RIGHTS RESERVED. PROPRIETARY AND CONFIDENTIAL INFORMATION - THIS DOCUMENT IS THE PROPERTY OF REGAL-BELOIT AMERICA, INC. (OWNER) AND CONTAINS OWNER'S PROPRIETARY INFORMATION. ANY PERSON, CORPORATION OR OTHER FIRM RECEIVING IT IS DEEMED, BY RECEIVING IT, TO AGREE THAT IT, AND/OR ANY PART OF IT, SHALL NOT BE DISCLOSED TO ANY PERSON, CORPORATION OR OTHER ENTITY, DUPLICATED, AND/OR USED, EXCEPT AS EXPRESSLY APPROVED IN WRITING IN ADVANCE BY OWNER. THIS DOCUMENT SHALL BE RETURNED TO OWNER UPON REQUEST. IT MAY BE SUBJECT TO CERTAIN RESTRICTIONS UNDER APPLICABLE EXPORT CONTROL LAWS AND REGULATIONS.

DRAWN BY: J. CHAI
DATE: 09-29-2016
APPROVED BY: C. ZHOU
DATE: 09-29-2016
PROCESS/FINISH

**REGAL**™ Regal Beloit America, Inc.

DESCRIPTION: MODEL-RFHP-48FR OUTLINE

MATERIAL: -

THIRD ANGLE PROJECTION

SIZE DWG NO: C FDL1054

SHEET 1