

4

3

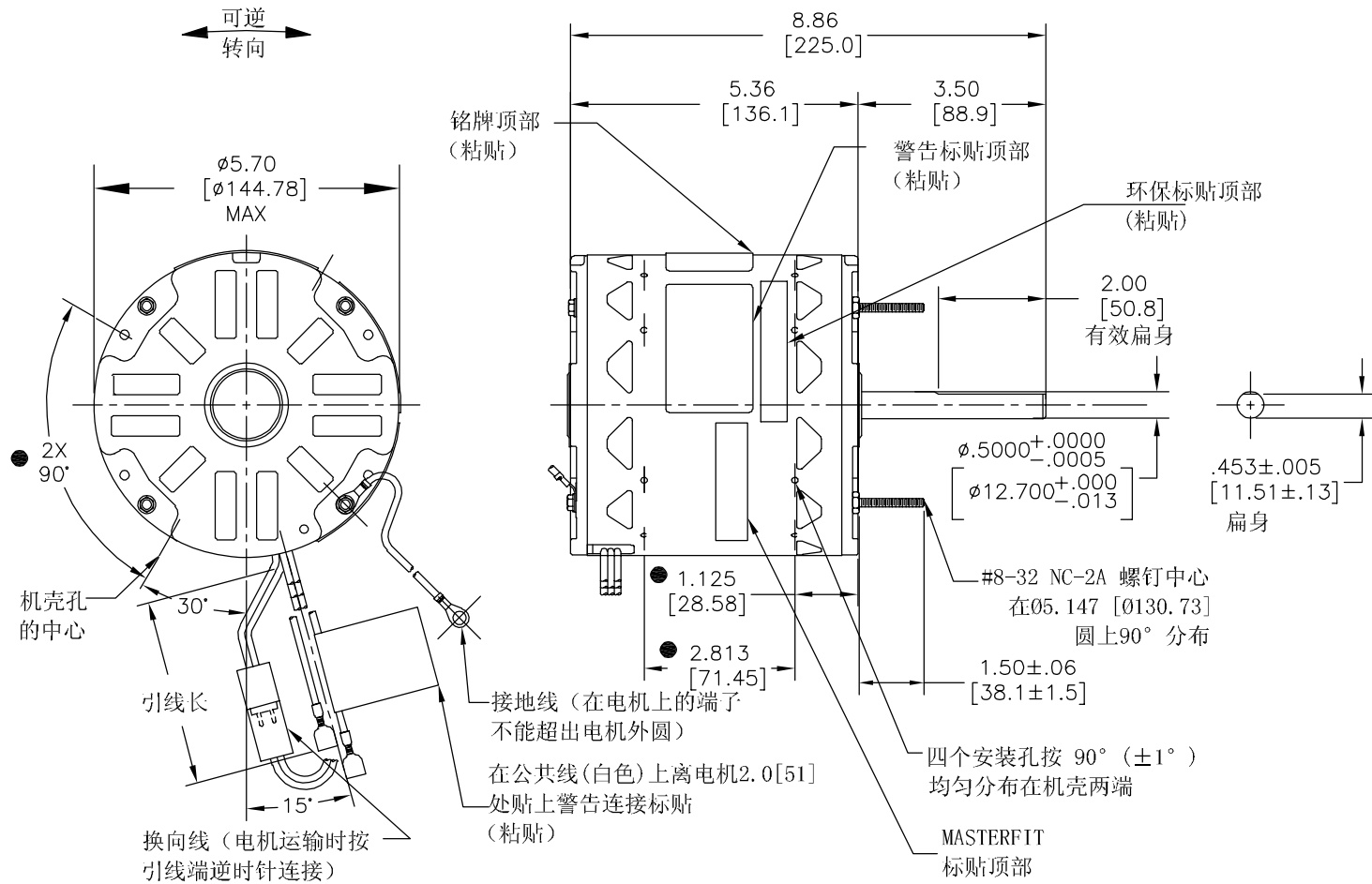
2

1

版本	ECO	编制	日期	批准	日期
E	0039779	G. RODRIGUEZ	01-28-2014	TERESITA REYES	01-28-2014

总技术要求:

- 轴跳动: .001 [.03] (外伸轴)
- 端部窜动量
- 轴承: 滑动轴承
- 安装位置: 水平
- 电气数据:
- 过载保护: 自动复位 (SENSATA 7AM 036)
- 引线: 18 GA., .03[.8] 厚. 125° C XLP 绝缘
- 换向引线: 18 GA., .03[.8] 厚. 125° C XLP 绝缘
- 接地线: 18 GA., .03 [.8] 厚. (绿色) 绝缘



绿色 (接地)	9.0/11.0 [229/279]	.25[6.4] 环形端子
黑色/白色	3.0/5.0 [76/127]	回形插
棕色	34.5/37.5 [876/952]	.25[6.4] 旗形插
棕色/白色	34.5/37.5 [876/952]	.25[6.4] 旗形插
红色	34.5/37.5 [876/952]	.25[6.4] 旗形插
黄色	34.5/37.5 [876/952]	.25[6.4] 旗形插
蓝色	34.5/37.5 [876/952]	.25[6.4] 旗形插
黑色	34.5/37.5 [876/952]	.25[6.4] 旗形插
白色	34.5/37.5 [876/952]	.25[6.4] 旗形插
颜色	长度	端子或剥线长度

技术要求:

- 标有 ● 为关键要求.
- 将8个螺钉 (615982-001) 和1个电容器 (2509074-001), 一个卡箍2518746-001 装在一个小塑料袋内 并附在每台电机的包装箱中
- 分销客户代码为: FD6002A.

无引线端机壳	开放
有引线端端盖	开放
有引线端机壳	开放
无引线端端盖	开放

用户 分销

铭牌数据	外部数据连接图
MODEL NO.: F48AF15A01 CUST. P/N: FD6002A HP: 1/3-1/8 ROT.: REVERSIBLE RPM: 825/4 SPD. TYPE: UF FRAME: 48 VOLTS: 208-230 PH: 1 AMPS: 2.1 HZ: 60 INS.: B AMB.: 40° C DUTY: AIR OVER CAP.: 7.5 MFD/370 V ENCL: OPEN UL LOGO CSA LOGO THERMALLY PROTECTED	

性能曲线编号	转矩在 @825 RPM (25° C)	批准样品	UL 部件		CSA	
C0000738	37.4 OZ. FT.	X-0005573	文件号	指南	文件号	指南
			E46412	PRGY2	LR43341	4211-01

- 形位公差
- 平面度
 - 直线度
 - ∠ 倾斜度
 - ⊥ 垂直度
 - // 平行度
 - 圆度
 - ⊙ 圆柱度
 - ⊘ 面轮廓度
 - ⌒ 线轮廓度
 - ↗ 圆跳动
 - ⊕ 位置度
 - ⊙ 同轴度
 - ≡ 对称度

ASME Y14.5M 1994

REGAL-BELOIT CORPORATION (RBC) 在个别领域为客户 提供技术支持。鉴于RBC 未收到任何涉及电机使用和 应用环境的数据, 电机的适用性 由客户自己决定。

未注公差尺寸仅供参考。

绘图:	H.ZHOU	08-28-2012
批准:	D.ZHANG	08-28-2012
第三角投影		图纸格式发布日期 11-11-2011 图纸格式版本 H
机密: 本图纸及相关信息所有权归REGAL-BELOIT CORPORATION. 未经REGAL-BELOIT CORPORATION书面授权, 不得泄露、 复制、传播或作其他用途。—版权所有		

REGAL REGAL-BELOIT CORPORATION	
名称	MODEL-RFHP-48FR OUTLINE
图幅	C
图号	FD6002A
比例	NONE
页号	1

4

3

2

1

4

3

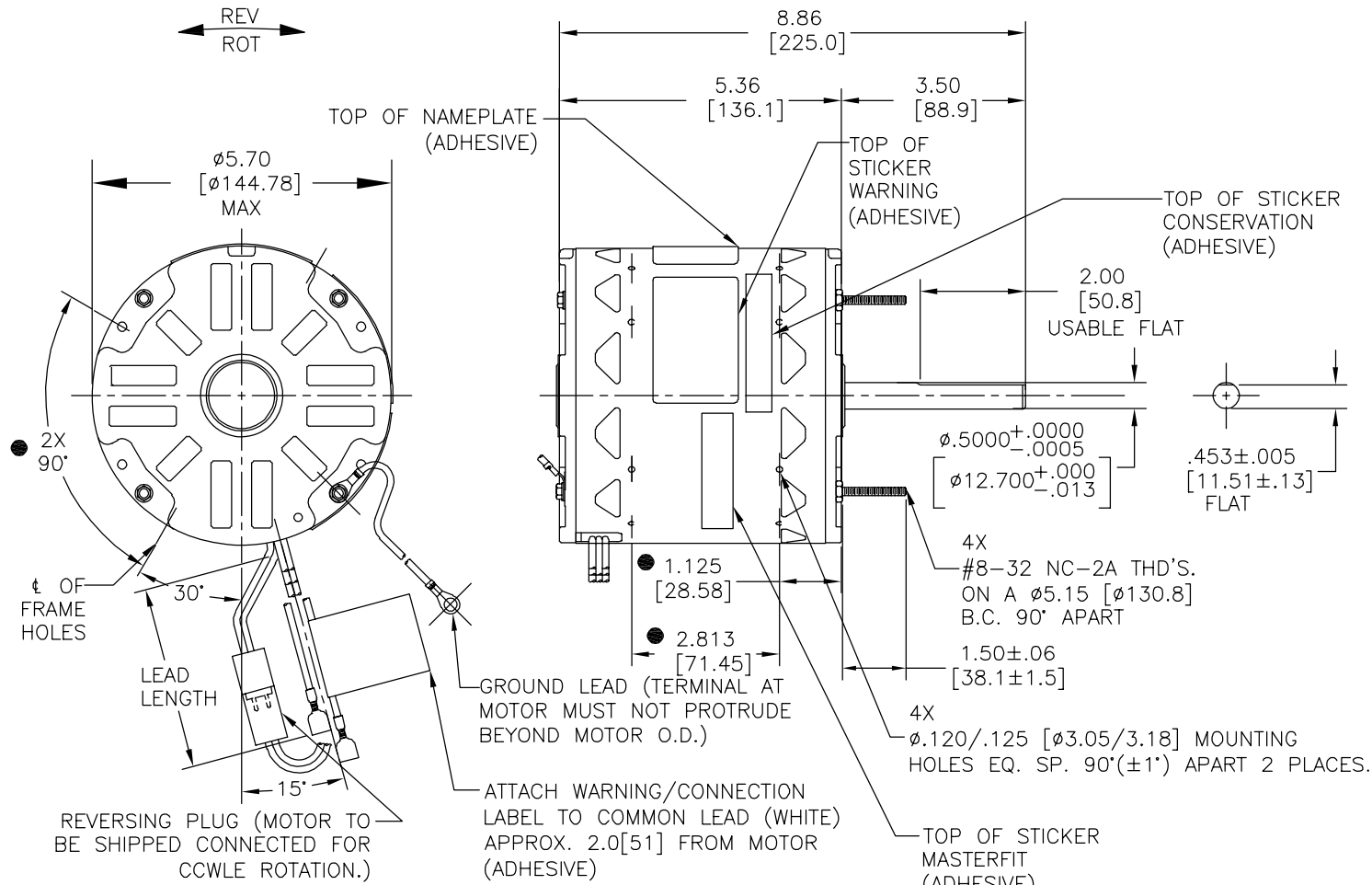
2

1

REV	ECO	REV BY	DATE	APPD	DATE
E	0039779	G. RODRIGUEZ	01-28-2014	TERESITA REYES	01-28-2014

GENERAL INFORMATION:

SHAFT RUNOUT: .001 [.03] T.I.R. PER INCH LENGTH OF EXTENSION
 END PLAY: .010 TO .063 [.25 TO 1.60]
 BEARINGS: SLEEVE
 MOUNTING POSITION: HORIZONTAL
 ELECTRICAL DATA:
 OVERLOAD PROTECTOR: AUTOMATIC RESET (SENSATA 7AM 036)
 LEADS: NO. 18 GA., .03[.8] THK. XLP 125°C INSUL.
 REVERSING PLUGS: NO. 18 GA., .03[.8] THK. XLP 125°C INSUL.
 GROUND LEAD: NO. 18 GA., .03[.8] THK. (GREEN) INSUL.



GREEN (GROUND)	9.0/11.0 [229/279]	.25[6.4] RING
BLACK/WHITE	3.0/5.0 [76/127]	REVERSING PLUG
BROWN	34.5/37.5 [876/952]	.25[6.4] FEMALE
BROWN/WHITE	34.5/37.5 [876/952]	.25[6.4] FEMALE
RED	34.5/37.5 [876/952]	.25[6.4] FEMALE
YELLOW	34.5/37.5 [876/952]	.25[6.4] FEMALE
BLUE	34.5/37.5 [876/952]	.25[6.4] FEMALE
BLACK	34.5/37.5 [876/952]	.25[6.4] FEMALE
WHITE	34.5/37.5 [876/952]	.25[6.4] FEMALE
COLOR	LENGTH	TERMINAL OR STRIP LENGTH

NOTES:

- DENOTES CRITICAL CHARACTERISTICS.
- (8) SCREWS 615982-001, (1) 2518746-001 CLAMP AND (1) CAPACITOR 2509074-001 TO BE PUT IN A POLYBAG & BE PACKED WITH EACH MOTOR.

MAIN FRAME - OLE	OPEN
END FRAME - OLE	OPEN
MAIN FRAME - LE	OPEN
END FRAME - LE	OPEN

CUSTOMER	DISTRIBUTION SERVICE
----------	----------------------

NAMEPLATE DATA:	EXTERNAL CONNECTION DIAGRAM
MODEL NO.: F48AF15A01 CUST. P/N: FD6002A HP: 1/3-1/8 ROT.: REVERSIBLE RPM: 825/4 SPD. TYPE: UF FRAME: 48 VOLTS: 208-230 PH: 1 AMPS: 2.1 HZ: 60 INS.: B AMB.: 40° C DUTY: AIR OVER CAP.: 7.5 MFD/370 V ENCL: OPEN UL LOGO CSA LOGO THERMALLY PROTECTED	<p>BROWN SEP. CAP.</p> <p>BRN/WHT</p> <p>WHITE</p> <p>BLACK HI</p> <p>BLUE MH</p> <p>YELLOW ML</p> <p>RED LO</p> <p>ROTATION</p> <p>BLACK CCWLE</p> <p>WHITE CWLE</p> <p>BLACK CWLE</p> <p>WHITE CCWLE</p>

PERFORMANCE CURVE NO.	TORQUE @825 RPM (25°C)	APPROVED SAMPLE	UL COMPONENT FILE #	CCN #	CSA FILE #	CLASS #
C0000738	37.4 OZ. FT.	X-0005573	E46412	PRGY2	LR43341	4211-01

GEOMETRIC CHARACTERISTICS & SYMBOLS

- FLATNESS
- STRAIGHTNESS
- ∠ ANGULARITY
- ⊥ PERPENDICULARITY (SQUARENESS)
- // PARALLELISM
- ROUNDNESS (CIRCULARITY)
- ∅ CYLINDRICITY
- △ PROFILE OF ANY SURFACE
- ∩ PROFILE OF ANY LINE
- ∩ RUNOUT
- ⊕ TRUE POSITION
- ◎ CONCENTRICITY
- = SYMMETRY

ASME Y14.5M 1994

REGAL-BELOIT CORPORATION (RBC) PROVIDES TECHNICAL ASSISTANCE TO OUR CUSTOMERS IN SEVERAL AREAS. SINCE RBC DOES NOT RECEIVE ALL DATA CONCERNING THE USE AND APPLICATION OF THE MOTOR, THE SUITABILITY OF THE MOTOR FOR THE APPLICATION MUST BE DETERMINED BY THE CUSTOMER.

DIMENSIONS WITHOUT TOLERANCES ARE FOR REFERENCE ONLY.

DR BY:	H.ZHOU	08-28-2012
APPD:	D.ZHANG	08-28-2012
THIRD ANGLE PROJECTION	EDS DATE	11-11-2011
	FORMAT REV	H

CONFIDENTIAL: THIS DRAWING AND ITS INFORMATION ARE THE EXCLUSIVE AND CONFIDENTIAL PROPERTY OF REGAL-BELOIT CORPORATION AND ARE NOT TO BE DISCLOSED, DUPLICATED, DISTRIBUTED OR OTHERWISE USED WITHOUT THE WRITTEN CONSENT OF REGAL-BELOIT CORPORATION. -ALL RIGHTS RESERVED.

REGAL REGAL-BELOIT CORPORATION

DESCRIPTION: MODEL-RFHP-48FR OUTLINE

SIZE: C DWG NO: FD6002A

SCALE: NONE SHEET: 1

4

3

2

1

4

3

2

1

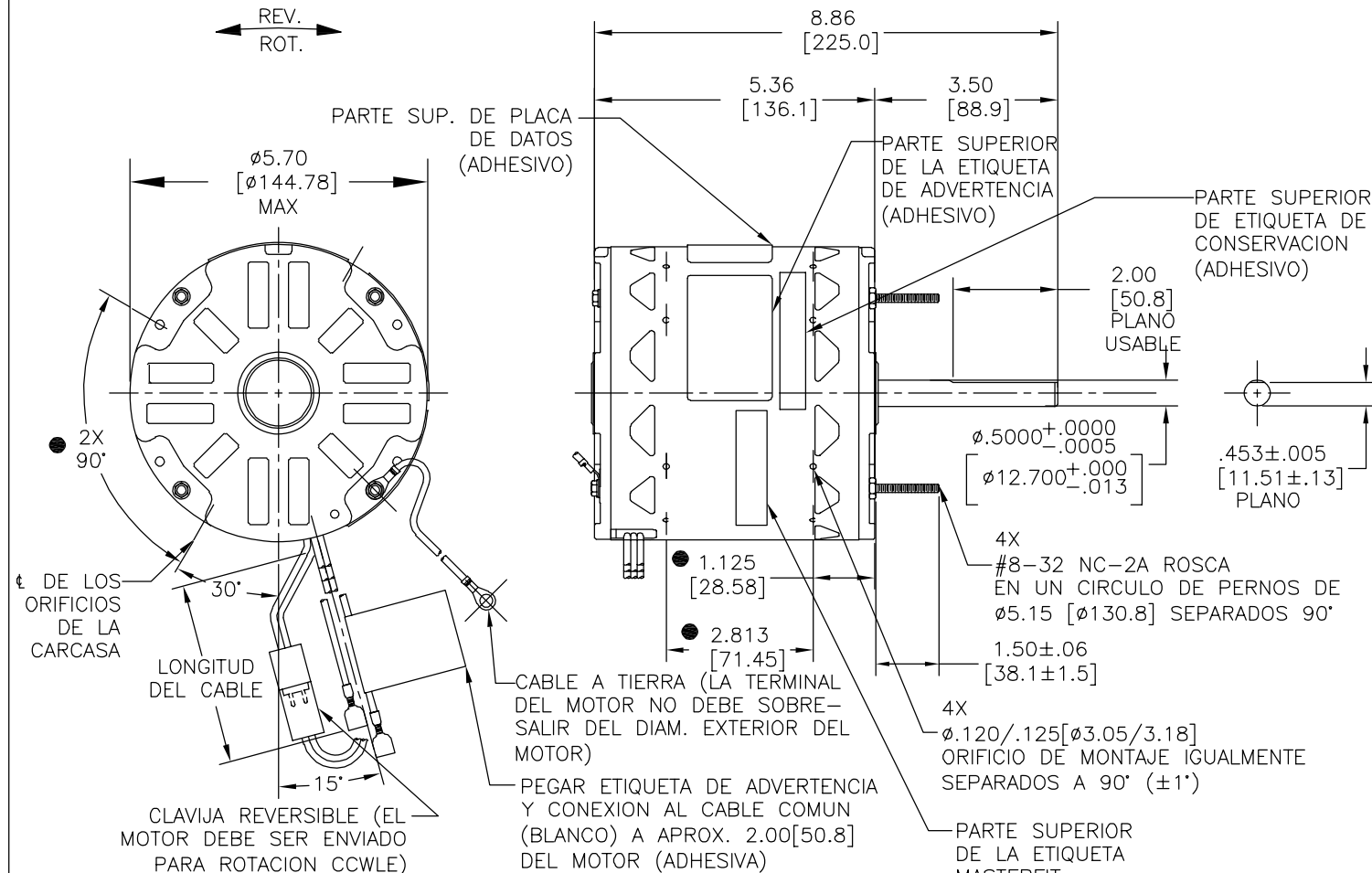
REVISION:	ECO	REVISADO POR:	FECHA:	APROBADO POR:	FECHA:
E	0039779	G. RODRIGUEZ	01-28-2014	TERESITA REYES	01-28-2014

INFORMACION GENERAL:

OSCILACION DE FLECHA .001[.03] L.T.I. LONGITUD DE EXTENSION POR PULGADA
 JUEGO AXIAL: .010 A .063 [.25 A 1.60]
 BALEROS: MANGA
 POSICION DEL MONTAJE: HORIZONTAL

INFORMACION ELECTRICA:

PROTECTOR DE SOBRECARGA: REINICIO AUTOMATICO (SENSATA 7AM 036)
 CABLES EN LINE: CAL NO. 18, .03[.8] XLP 125°C AISLAM.
 CABLES REVERSIBLES: CAL NO. 18, .03[.8] ESPESOR XLP 125°C AISLAM.
 CABLE DE TIERRA: CAL NO. 18, .03[.8] DE ESPESOR (VERDE) AISLAM.



VERDE (TIERRA)	9.0/11.0 [229/279]	.25[6.3] ANILLO
NEGRO/BLANCO	3.0/5.0 [76/127]	CLAVIJA REVERSIBLE
CAFE	34.5/37.5 [876/952]	.25[6.4] HEMBRA
CAFE/BLANCO	34.5/37.5 [876/952]	.25[6.4] HEMBRA
ROJO	34.5/37.5 [876/952]	.25[6.4] HEMBRA
AMARILLO	34.5/37.5 [876/952]	.25[6.4] HEMBRA
AZUL	34.5/37.5 [876/952]	.25[6.4] HEMBRA
NEGRO	34.5/37.5 [876/952]	.25[6.4] HEMBRA
BLANCO	34.5/37.5 [876/952]	.25[6.4] HEMBRA
COLOR	LONGITUD	TERMINAL O LONGITUD DE DESFORRE

NOTAS:

- INDICA CARACTERISTICAS CRITICAS.
- (8) TORNILLOS 615982-001, (1) ABRAZADERA 2518746-001 Y UN CAPACITOR 2509074-001 DEBEN PONERSE EN UNA BOLSA DE POLIESTER Y SER EMPACADO EN CADA MOTOR.

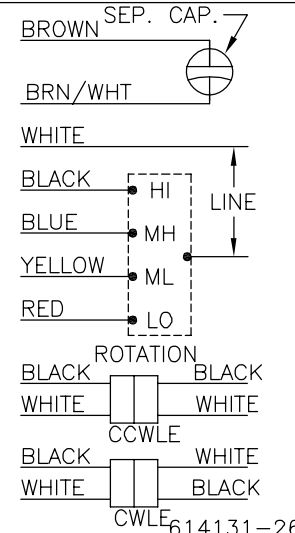
DE CARCASA - OLE	ABIERTO
DE TAPA - OLE	ABIERTO
DE CARCASA - LE	ABIERTO
DE TAPA - LE	ABIERTO

CLIENTE

INFORMACION DE ETIQUETA:

MODEL NO.: F48AF15A01
 CUST. P/N: FD6002A
 HP: 1/3-1/8
 ROT.: REVERSIBLE
 RPM: 825/4 SPD.
 TYPE: UF
 FRAME: 48
 VOLTS: 208-230
 PH: 1
 AMPS: 2.1
 HZ: 60
 INS.: B
 AMB.: 40° C
 DUTY: AIR OVER
 CAP.: 7.5 MFD/370 V
 ENCL: OPEN
 UL LOGO
 CSA LOGO
 THERMALLY PROTECTED

DIAGRAMA DE CONEXION EXTERNA



CURVAS DE FUNCIONAMIENTO	TORSION @825 RPM (25°C)	MUESTRA APROBADA	COMPONENTE UL
C0000738	37.4 OZ. FT.	X-0005573	#ARCHIVO #ARCHIVO #ARCHIVO E46412 PRGY2 LR43341 4211-01

CARACTERISTICAS DE GEOMETRIA Y SIMBOLOS
 ▽ PLANICIDAD
 — RECTITUD
 < ANGULARIDAD
 ⊥ PERPENDICULARIDAD (A ESCUADRA)
 // PARALELISMO
 ○ REDONDEZ (CIRCULARIDAD)
 ∅ CILINDRICIDAD
 △ PERFIL DE CUALQUIER SUPERFICIE
 ∩ PERFIL DE CUALQUIER LINEA
 ∠ VARIACION
 ⊕ POSICION REAL
 ⊙ CONCENTRICIDAD
 = SIMETRIA
 ASME Y14.5M 1994

REGAL-BELOIT CORPORATION (RBC) PROVEE ASISTENCIA TECNICA A NUESTROS CLIENTES EN VARIAS AREAS. DESDE QUE RBC NO RECIBE TODOS LOS DATOS EN RELACION AL USO Y A LA APLICACION DEL MOTOR, LA APLICACION ADECUADA DEL MOTOR DEBE SER DETERMINADA POR EL CLIENTE.

DIMENSIONES SIN TOLERANCIA SON DE REFERENCIA SOLAMENTE

DIBUJADO POR: H.ZHOU
 08-28-2012
 APROBADO POR: D.ZHANG
 08-28-2012
 TERCER ANGULO DE PROYECCION

CONFIDENCIAL: ESTE DIBUJO Y SU INFORMACION SON PROPIEDAD DE USO EXCLUSIVO Y CONFIDENCIAL DE REGAL-BELOIT CORPORATION. Y NO DEBERAN SER REVELADOS, DUPLICADOS, DISTRIBUIDOS O USARSE DE OTRA MANERA SIN EL CONSENTIMIENTO ESCRITO DE REGAL-BELOIT CORPORATION. -TODOS LOS DERECHOS RESERVADOS.

REGAL REGAL-BELOIT CORPORATION

DESCRIPCION: MODEL-RFHP-48FR OUTLINE
 TAMAÑO: C NUMERO DE DIBUJO: FD6002A
 ESCALA:NONE HOJA: 1

4

3

2

1