

4 3 2 1

总技术要求:

轴跳动: .001[.03]/1[25.4]外伸轴

轴承: 球轴承

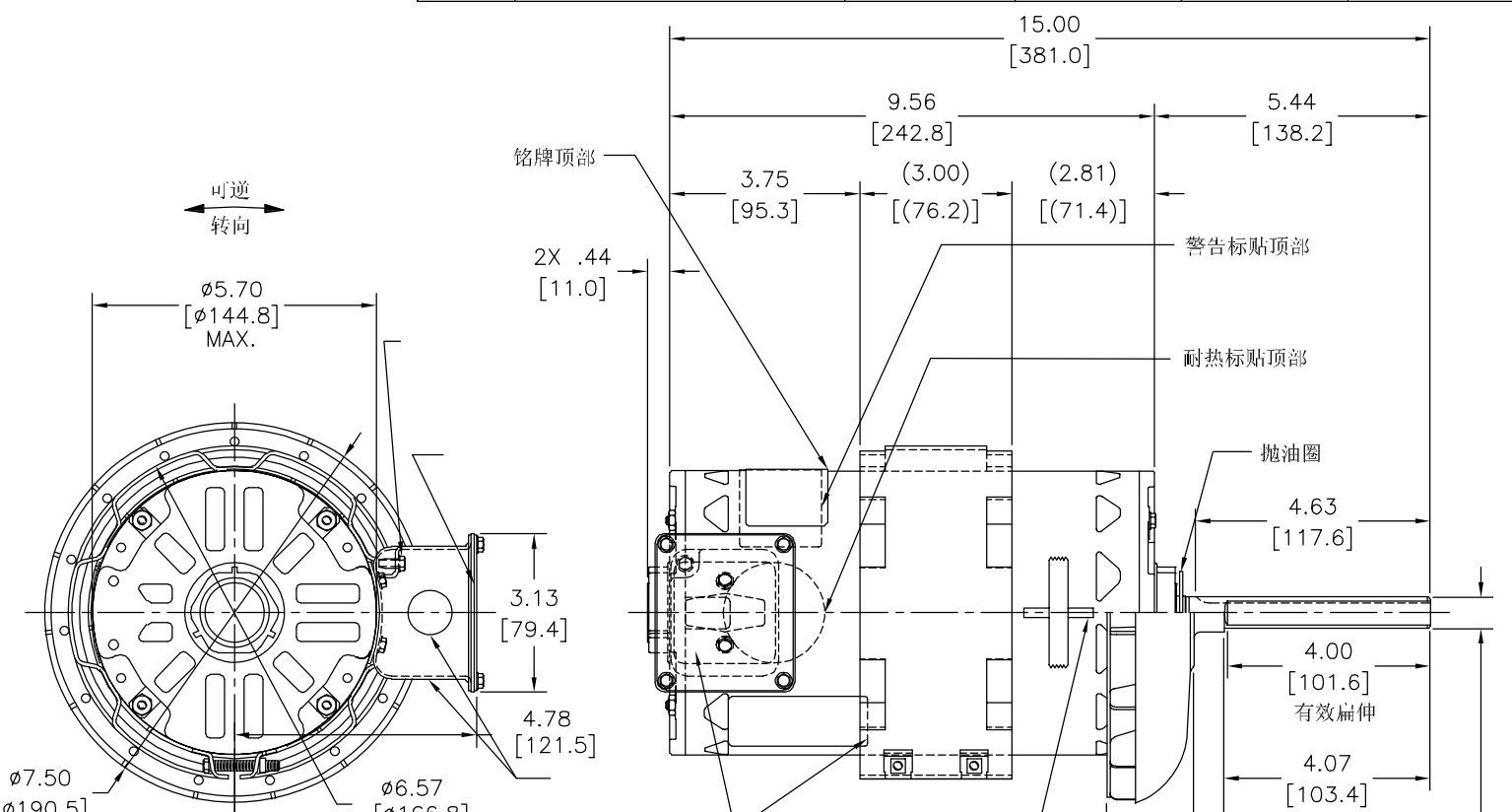
安装位置: 转轴朝下

电气数据:

过载保护: 自动复位 (SPENCER MWJ57JR)

引线: 18# (美制标准), 厚.03[.8] XLP 125° C 绝缘

版本	ECO	编制	日期	批准	日期
C	ECO-0028126	jrupert	11-13-2012	jrupert	11-13-2012



红 (1)	5.0/7.0 [127/178]	.50 [12.7]	剥皮
红 (2)	5.0/7.0 [127/178]	.50 [12.7]	剥皮
红 (3)	5.0/7.0 [127/178]	.50 [12.7]	剥皮
黄 (4)	5.0/7.0 [127/178]	.50 [12.7]	剥皮
黄 (5)	5.0/7.0 [127/178]	.50 [12.7]	剥皮
黄 (6)	5.0/7.0 [127/178]	.50 [12.7]	剥皮
蓝 (7)	5.0/7.0 [127/178]	.50 [12.7]	剥皮
蓝 (8)	5.0/7.0 [127/178]	.50 [12.7]	剥皮
蓝 (9)	5.0/7.0 [127/178]	.50 [12.7]	剥皮
黑 (10)	5.0/7.0 [127/178]	.50 [12.7]	剥皮
黑 (11)	5.0/7.0 [127/178]	.50 [12.7]	剥皮
黑 (12)	5.0/7.0 [127/178]	.50 [12.7]	剥皮
颜色	长度	端子或剥线长度	

无引线端机壳	开放
无引线端端盖	开放
有引线端机壳	开放
有引线端端盖	开放

用户	DISTRIBUTION SERVICE
----	----------------------

铭牌数据	外部数据线															
MODEL NO.: P48A93A01 CUST. P/N: FC3156F HP: 1 1/2 ROT.: REVERSIBLE RPM: 1120 TYPE: UAP FRAME: 48Y VOLTS: 200-230/460 PH: 3 AMPS: 5.8/2.9 HZ: 60 INS.: F AMB.: 70° C DUTY: AIR OVER CAP.: - ENCL: OPEN UL LOGO CSA LOGO THERMALLY PROTECTED TYPE T	<table border="1"> <tr> <td>⑩</td><td>④</td><td>⑦</td><td>①</td><td>L1</td> </tr> <tr> <td>⑪</td><td>⑤</td><td>⑧</td><td>②</td><td>L2</td> </tr> <tr> <td>⑫</td><td>⑥</td><td>⑨</td><td>③</td><td>L3</td> </tr> </table>	⑩	④	⑦	①	L1	⑪	⑤	⑧	②	L2	⑫	⑥	⑨	③	L3
⑩	④	⑦	①	L1												
⑪	⑤	⑧	②	L2												
⑫	⑥	⑨	③	L3												

性能曲线编号	转矩在 1120 RPM @ 25° C	批准样品	UL部件	CSA
C21357	114.2 OZ. FT.	0701418A	文件号 E46412 指南 PRGY2	文件号 LR43341 指南 4211-01

形位公差 □ 平面度 — 直线度 ∠ 倾斜度 ⊥ 垂直度 ∥ 平行度 ○ 圆度 ⊘ 圆柱度 ⊖ 面轮廓度 ⌒ 线轮廓度 ⤴ 圆跳动 ⊕ 位置度 ⊙ 对称度	ASME Y14.5M 1994
---	------------------

REGAL-BELOIT CORPORATION (RBC) 在个别领域为客户提供技术支持 鉴于RBC未收到任何涉及电机使用 和应用环境的数据, 电机的适用性 由客户自己决定。

未注公差尺寸仅供参考。

绘图: TH	04-13-2011
批准: MH	04-13-2011
第三角投影	图纸格式发布日期 11-11-2011 图纸格式版本 H
机密: 本图纸及相关信息所有权归REGAL-BELOIT CORPORATION 未经REGAL-BELOIT CORPORATION书面授权, 不得泄露、 复制、传播或作其他用途。—版权所有	

REGAL REGAL-BELOIT CORPORATION	
名称: MODEL-RFHP-48FR OUTLINE	
图幅: C	图号: FC3156F
比例: NONE	页号: 1

4 3 2 1

4

3

2

1

GENERAL INFORMATION:

SHAFT RUNOUT: .001 [.03] T.I.R. PER INCH LENGTH OF EXTENSION

BEARINGS: BALL

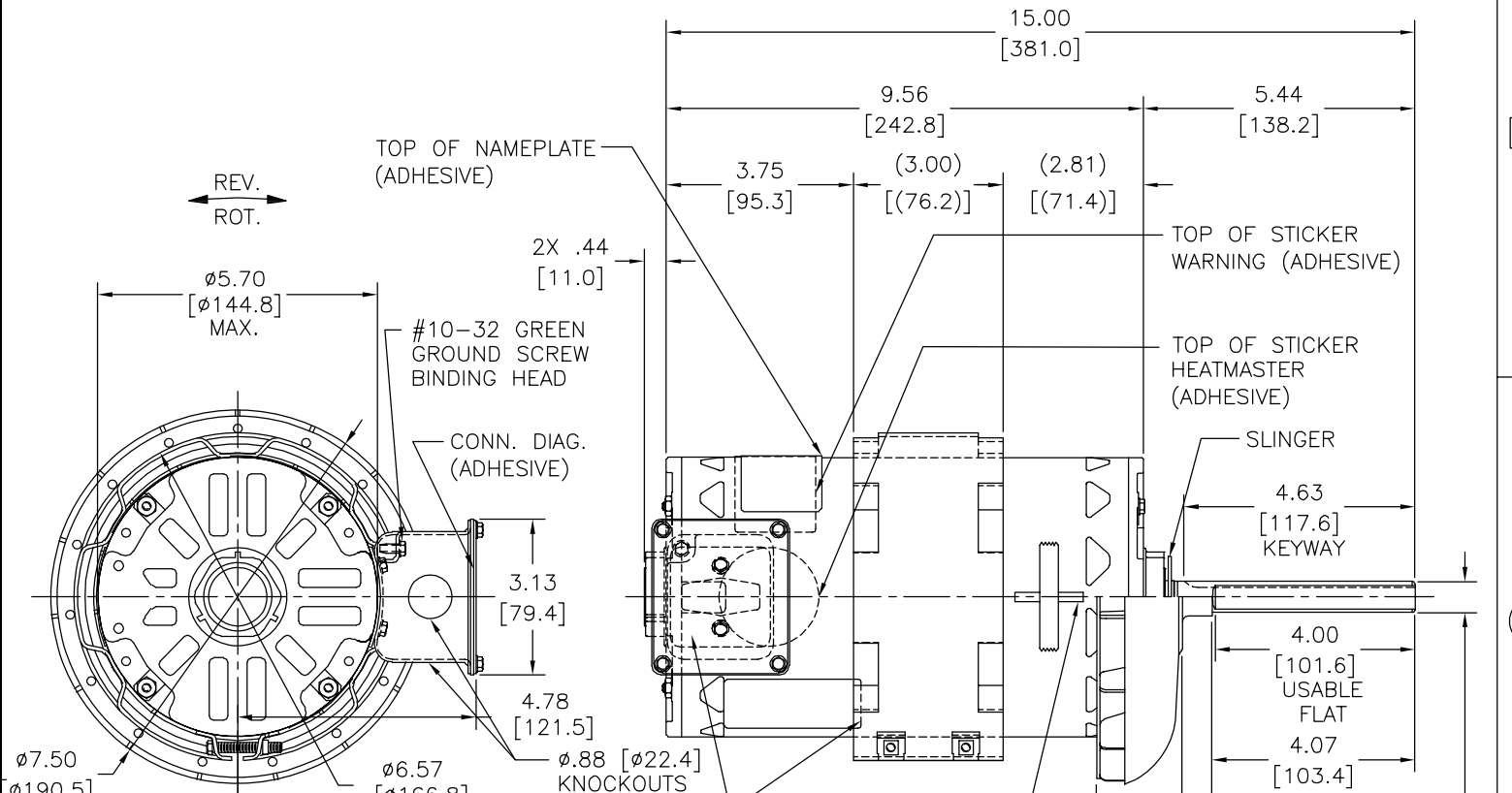
MOUNTING POSITION: VERTICAL SHAFT UP

ELECTRICAL DATA:

OVERLOAD PROTECTOR: AUTOMATIC RESET (SPENCER MWJ57JR)

LEADS: NO. 18 GA., .03 [.8] THK. XLP 125°C INSUL.

REV	ECO	REV BY	DATE	APPD	DATE
C	ECO-0028126	jrupert	11-13-2012	jrupert	11-13-2012



RED (1)	5.0/7.0 [127/178]	.50 [12.7] SKIN
RED (2)	5.0/7.0 [127/178]	.50 [12.7] SKIN
RED (3)	5.0/7.0 [127/178]	.50 [12.7] SKIN
YELLOW (4)	5.0/7.0 [127/178]	.50 [12.7] SKIN
YELLOW (5)	5.0/7.0 [127/178]	.50 [12.7] SKIN
YELLOW (6)	5.0/7.0 [127/178]	.50 [12.7] SKIN
BLUE (7)	5.0/7.0 [127/178]	.50 [12.7] SKIN
BLUE (8)	5.0/7.0 [127/178]	.50 [12.7] SKIN
BLUE (9)	5.0/7.0 [127/178]	.50 [12.7] SKIN
BLACK (10)	5.0/7.0 [127/178]	.50 [12.7] SKIN
BLACK (11)	5.0/7.0 [127/178]	.50 [12.7] SKIN
BLACK (12)	5.0/7.0 [127/178]	.50 [12.7] SKIN
COLOR	LENGTH	TERMINAL OR STRIP LENGTH

NAMEPLATE DATA:	EXTERNAL CONNECTION DIAGRAM
MODEL NO.: P48A93A01 CUST. P/N: FC3156F HP: 1 1/2 ROT.: REVERSIBLE RPM: 1120 TYPE: UAP FRAME: 48Y VOLTS: 200-230/460 PH: 3 AMPS: 5.8/2.9 HZ: 60 INS.: F AMB.: 70° C DUTY: AIR OVER CAP.: - ENCL: OPEN UL LOGO CSA LOGO THERMALLY PROTECTED TYPE T	
	614131-045

PERFORMANCE CURVE NO.	TORQUE @ 1120 RPM (25°C)	APPROVED SAMPLE	UL COMPONENT	CSA
C21357	114.2 OZ. FT.	0701418A	FILE # CCN # FILE # CLASS #	LR43341 4211-01

MAIN FRAME - OLE	OPEN
END FRAME - OLE	OPEN
MAIN FRAME - LE	OPEN
END FRAME - LE	OPEN

CUSTOMER	DISTRIBUTION SERVICE
----------	----------------------

GEOMETRIC CHARACTERISTICS & SYMBOLS
 □ FLATNESS
 - STRAIGHTNESS
 < ANGLARITY
 ⊥ PERPENDICULARITY (SQUARENESS)
 // PARALLELISM
 ○ ROUNDNESS (CIRCULARITY)
 ∅ CYLINDRICITY
 △ PROFILE OF ANY SURFACE
 ∩ PROFILE OF ANY LINE
 ↗ RUNOUT
 ⊕ TRUE POSITION
 ⊙ CONCENTRICITY
 = SYMMETRY
 ASME Y14.5M 1994

REGAL-BELOIT CORPORATION (RBC) PROVIDES TECHNICAL ASSISTANCE TO OUR CUSTOMERS IN SEVERAL AREAS. SINCE RBC DOES NOT RECEIVE ALL DATA CONCERNING THE USE AND APPLICATION OF THE MOTOR, THE SUITABILITY OF THE MOTOR FOR THE APPLICATION MUST BE DETERMINED BY THE CUSTOMER.
 DIMENSIONS WITHOUT TOLERANCES ARE FOR REFERENCE ONLY.

DR BY: TH 04-13-2011
 APPD: MH 04-13-2011
 EDS DATE 11-11-2011
 FORMAT REV H
 THIRD ANGLE PROJECTION
 CONFIDENTIAL: THIS DRAWING AND ITS INFORMATION ARE THE EXCLUSIVE AND CONFIDENTIAL PROPERTY OF REGAL-BELOIT CORPORATION AND ARE NOT TO BE DISCLOSED, DUPLICATED, DISTRIBUTED OR OTHERWISE USED WITHOUT THE WRITTEN CONSENT OF REGAL-BELOIT CORPORATION. -ALL RIGHTS RESERVED.

REGAL REGAL-BELOIT CORPORATION

DESCRIPTION: MODEL-RFHP-48FR OUTLINE

SIZE: C DWG NO: FC3156F

SCALE: NONE SHEET: 1

4

3

2

1

4

3

2

1

INFORMACION GENERAL:

OSCILACION DE FLECHA: .001 [.03] T.I.R. PER INCH LENGTH OF EXTENSION

BALEROS: BALERO

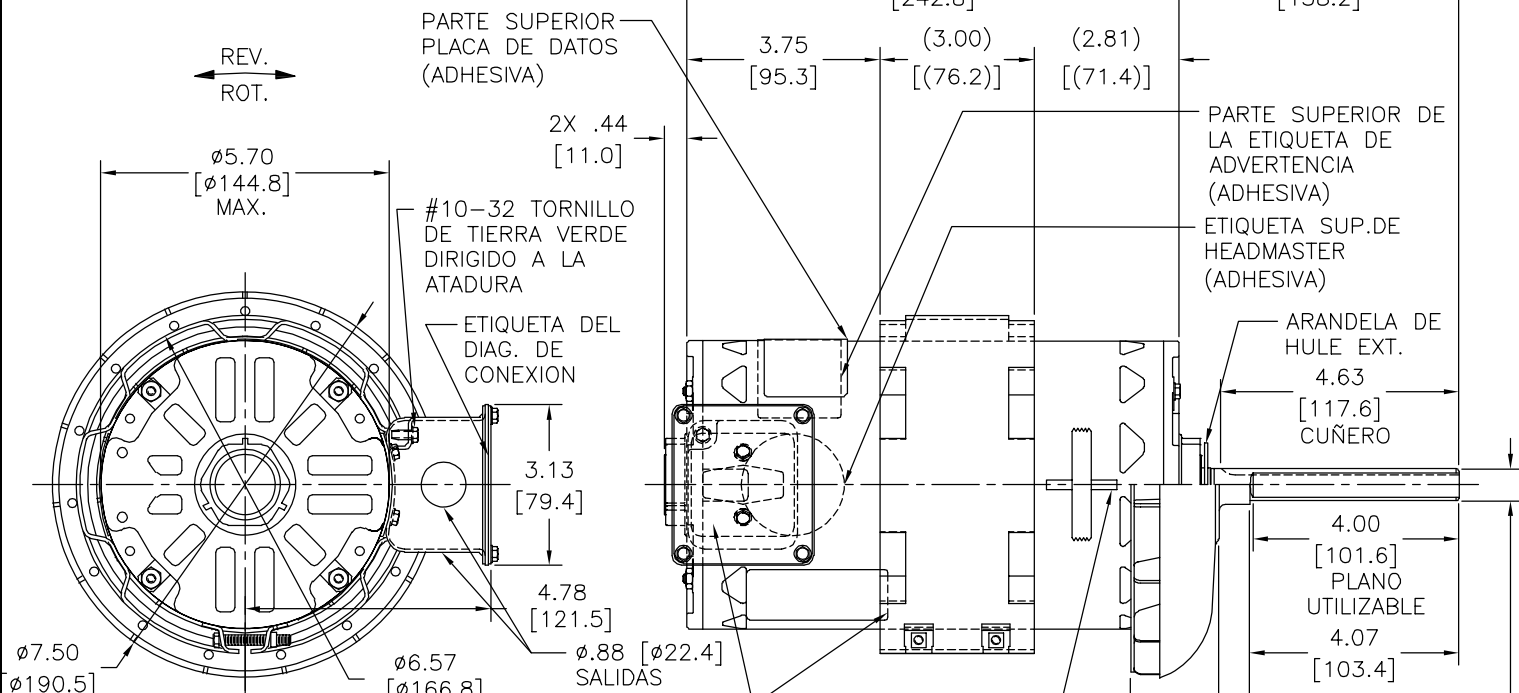
POSICION DEL MONTAJE: FLECHA VERTICAL ENCIMA DE

INFORMACION ELECTRICA:

SOBRECARGA DEL PROTECTOR: REINICIO AUTOMATIC (SPENCER M5W73JR)

CABLES: NO. 18 GA., .03 [.8] THK. XLP 125°C AISLAM.

REVISION:	ECO	REVISADO POR:	FECHA:	APROBADO POR:	FECHA:
C	ECO-0028126	jrupert	11-13-2012	jrupert	11-13-2012



ROJO (1)	5.0/7.0 [127/178]	.50 [12.7]	DEL PIEL
ROJO (2)	5.0/7.0 [127/178]	.50 [12.7]	DEL PIEL
ROJO (3)	5.0/7.0 [127/178]	.50 [12.7]	DEL PIEL
AMARILLO (4)	5.0/7.0 [127/178]	.50 [12.7]	DEL PIEL
AMARILLO (5)	5.0/7.0 [127/178]	.50 [12.7]	DEL PIEL
AMARILLO (6)	5.0/7.0 [127/178]	.50 [12.7]	DEL PIEL
AZUL (7)	5.0/7.0 [127/178]	.50 [12.7]	DEL PIEL
AZUL (8)	5.0/7.0 [127/178]	.50 [12.7]	DEL PIEL
AZUL (9)	5.0/7.0 [127/178]	.50 [12.7]	DEL PIEL
NEGRO (10)	5.0/7.0 [127/178]	.50 [12.7]	DEL PIEL
NEGRO (11)	5.0/7.0 [127/178]	.50 [12.7]	DEL PIEL
NEGRO (12)	5.0/7.0 [127/178]	.50 [12.7]	DEL PIEL
COLOR	LONGITUD	TERMINAL O LONGITUD DE DESFORRE	

DE CARCASA - OLE	ABIERTA
DE TAPA - OLE	ABIERTA
DE CARCASA - LE	ABIERTA
DE TAPA - LE	ABIERTA
TIPO DE MOTOR	

CLIENTE	DISTRIBUTION SERVICE
---------	----------------------

INFORMACION DE ETIQUETA:	DIAGRAMA DE CONEXION EXTRNA
MODEL NO.: P48A93A01 CUST. P/N: FC3156F HP: 1 1/2 ROT.: REVERSIBLE RPM: 1120 TYPE: UAP FRAME: 48Y VOLTS: 200-230/460 PH: 3 AMPS: 5.8/2.9 HZ: 60 INS.: F AMB.: 70° C DUTY: AIR OVER CAP.: - ENCL: OPEN UL LOGO CSA LOGO THERMALLY PROTECTED TYPE T	
	614131-045

CURVAS DE FUNCIONAMIENTO	TORSION @ 1120 RPM (25°C)	MUESTRA APROBADA	COMPONENTE UL	CSA
C21357	114.2 OZ. FT.	0701418A	#ARCHIVO #CCN #	#ARCHIVO CLASE #
			E46412 PRGY2 LR43341	4211-01

CARACTERISTICAS DE GEOMETRIA Y SIMBOLOS
 □ PLANICIDAD
 - RECTITUD
 < ANGULARIDAD
 ⊥ PERPENDICULARIDAD (A ESCUADRA)
 // PARALELISMO
 ○ REDONDEZ (CIRCULARIDAD)
 ∅ CILINDRICIDAD
 △ PERFIL DE CUALQUIER SUPERFICIE
 ∇ PERFIL DE CUALQUIER LINEA
 ↗ VARIACION
 ⊕ POSICION REAL
 ⊙ CONCENTRICIDAD
 = SIMETRIA
 ASME Y14.5M 1994

REGAL-BELOIT CORPORATION (RBC) PROVEE ASISTENCIA TECNICA A NUESTROS CLIENTES EN VARIAS AREAS. DESDE QUE RBC NO RECIBE TODOS LOS DATOS EN RELACION AL USO Y A LA APLICACION DEL MOTOR, LA APLICACION ADECUADA DEL MOTOR DEBE SER DETERMINADA POR EL CLIENTE.
 DIMENSIONES SIN TOLERANCIA SON DE REFERENCIA SOLAMENTE

DIBUJADO POR: TH 04-13-2011
 APROBADO POR: MH 04-13-2011
 TERCER ANGULO DE PROYECCION
 FECHA EDS: 11-11-2011
 REV. FORMATO: H
 CONFIDENCIAL: ESTE DIBUJO Y SU INFORMACION SON PROPIEDAD DE USO EXCLUSIVO Y CONFIDENCIAL DE REGAL-BELOIT CORPORATION. Y NO DEBERAN SER REVELADOS, DUPLICADOS, DISTRIBUIDOS O USARSE DE OTRA MANERA SIN EL CONSENTIMIENTO ESCRITO DE REGAL-BELOIT CORPORATION. -TODOS LOS DERECHOS RESERVADOS.

REGAL REGAL-BELOIT CORPORATION
 DESCRIPCION: MODEL-RFHP-48FR OUTLINE
 TAMAÑO: C NUMERO DE DIBUJO: FC3156F
 ESCALA: NONE HOJA: 1

4

3

2

1