

GENERAL INFORMATION:

SHAFT RUNOUT: .001 [.03] T.I.R. PER INCH LENGTH OF EXTENSION

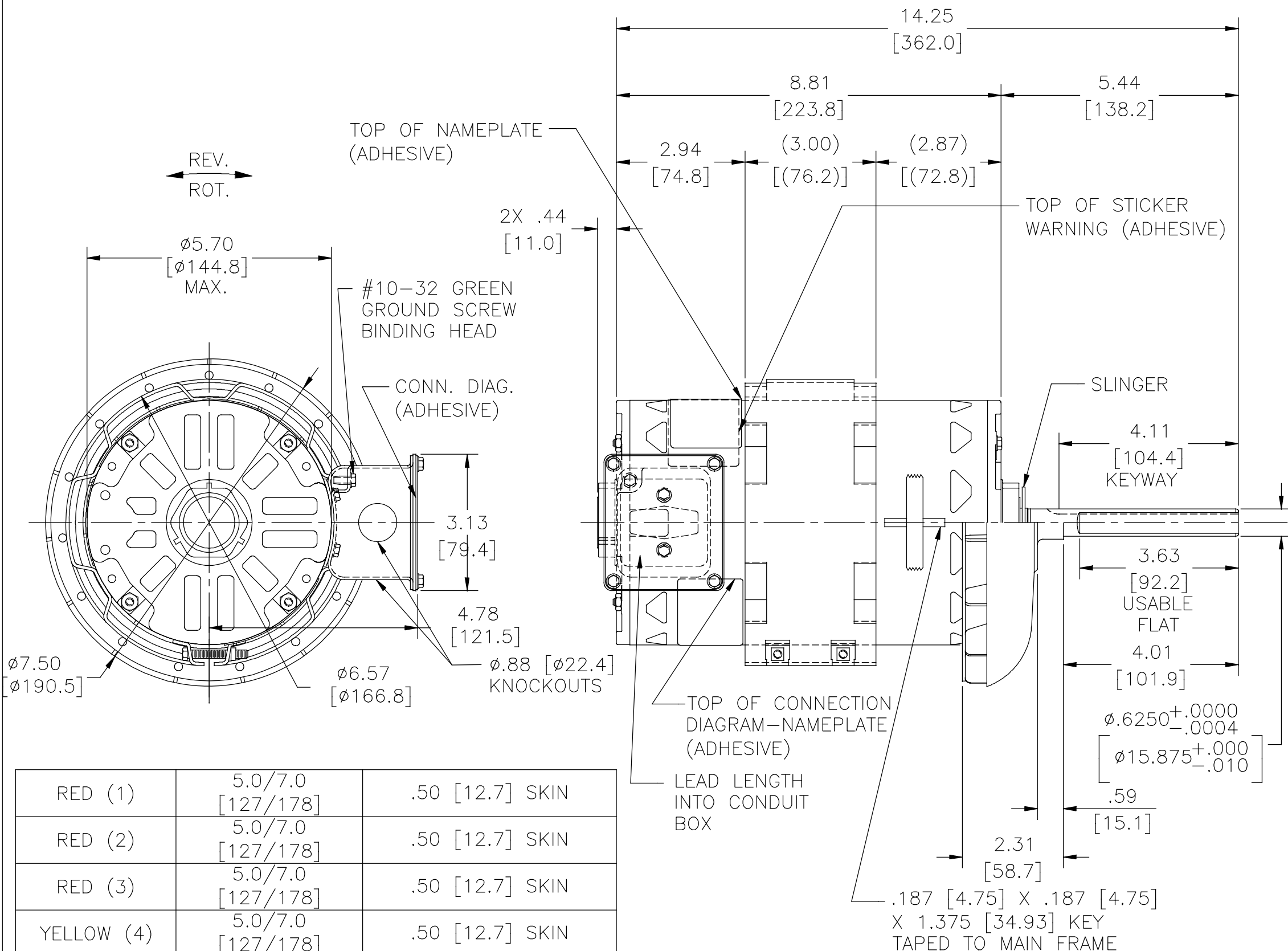
BEARINGS: BALL

MOUNTING POSITION: VERTICAL SHAFT UP

ELECTRICAL DATA:

OVERLOAD PROTECTOR: AUTOMATIC RESET (SPENCER MWJ68JR)

LEADS: NO. 18 GA., .03 [.8] THK. XLP 125°C INSUL.



RED (1)	5.0/7.0 [127/178]	.50 [12.7] SKIN
RED (2)	5.0/7.0 [127/178]	.50 [12.7] SKIN
RED (3)	5.0/7.0 [127/178]	.50 [12.7] SKIN
YELLOW (4)	5.0/7.0 [127/178]	.50 [12.7] SKIN
YELLOW (5)	5.0/7.0 [127/178]	.50 [12.7] SKIN
YELLOW (6)	5.0/7.0 [127/178]	.50 [12.7] SKIN
BLUE (7)	5.0/7.0 [127/178]	.50 [12.7] SKIN
BLUE (8)	5.0/7.0 [127/178]	.50 [12.7] SKIN
BLUE (9)	5.0/7.0 [127/178]	.50 [12.7] SKIN
BLACK (10)	5.0/7.0 [127/178]	.50 [12.7] SKIN
BLACK (11)	5.0/7.0 [127/178]	.50 [12.7] SKIN
BLACK (12)	5.0/7.0 [127/178]	.50 [12.7] SKIN
COLOR	LENGTH	TERMINAL OR STRIP LENGTH

REGAL-BELOIT CORPORATION (RBC) PROVIDES TECHNICAL ASSISTANCE TO OUR CUSTOMERS IN SEVERAL AREAS. SINCE RBC DOES NOT RECEIVE ALL DATA CONCERNING THE USE AND APPLICATION OF THE MOTOR, THE SUITABILITY OF THE MOTOR FOR THE APPLICATION MUST BE DETERMINED BY THE CUSTOMER.

DIMENSIONS WITHOUT TOLERANCES ARE FOR REFERENCE ONLY.

MAIN FRAME - OLE	OPEN
END FRAME - OLE	OPEN
MAIN FRAME - LE	OPEN
END FRAME - LE	OPEN

DRAWN BY: GORDON
DATE: 10-17-2003
APPROVED BY: JWODY
DATE: 10-17-2003
REFERENCE: THIRD ANGLE PROJECTION

REGAL Regal Beloit America, Inc.
DESCRIPTION: MODEL-RFHP-48FR OUTLINE
MATERIAL: FC3107
PROCESS/FINISH: SHEET 1

NAMEPLATE DATA:	EXTERNAL CONNECTION DIAGRAM
MODEL NO.: P48SU6V1 CUST. P/N: FC3107 HP: 1 ROT.: REVERSIBLE RPM: 1120 TYPE: UAP FRAME: 48Y VOLTS: 200-230/460 PH: 3 AMPS: 5.0/2.5 HZ: 60 INS.: B AMB.: 60° C DUTY: AIR OVER CAP.: - ENCL: OPEN UL LOGO:46412 CSA LOGO:LR43341 ASSEMBLED IN MEXICO THERMALLY PROTECTED	
614131-045	

PERFORMANCE CURVE NO.	TORQUE @ 1140 RPM (25°C)	APPROVED SAMPLE	UL COMPONENT FILE #	CCN #	CSA FILE #	CLASS #
C23907	64.0 OZ. FT.	EX11973	E46412	PRGY2	LR43341	4211-01

DRAWING REVISION	REVISION BY	DATE
J	NANCY LIU	10-10-2018
ECO	APPROVED BY TRICIA	DATE 10-10-2018
ECO-0152445		
SEE ECO		

COPYRIGHT REGAL-BELOIT AMERICA, INC. ALL RIGHTS RESERVED. PROPRIETARY AND CONFIDENTIAL INFORMATION - THIS DOCUMENT IS THE PROPERTY OF REGAL-BELOIT AMERICA, INC. (OWNER) AND CONTAINS OWNER'S PROPRIETARY INFORMATION. ANY PERSON, CORPORATION OR OTHER FIRM RECEIVING IT IS DEEMED, BY RECEIVING IT, TO AGREE THAT IT, AND/OR ANY PART OF IT, SHALL NOT BE DISCLOSED TO ANY PERSON, CORPORATION OR OTHER ENTITY, DUPLICATED, AND/OR USED, EXCEPT AS EXPRESSLY APPROVED IN WRITING IN ADVANCE BY OWNER. THIS DOCUMENT SHALL BE RETURNED TO OWNER UPON REQUEST. IT MAY BE SUBJECT TO CERTAIN RESTRICTIONS UNDER APPLICABLE EXPORT CONTROL LAWS AND REGULATIONS.