

GENERAL INFORMATION:

SHAFT RUNOUT: .001 [.03] T.I.R. PER INCH LENGTH OF EXTENSION

BEARINGS: BALL

MOUNTING POSITION: VERTICAL SHAFT UP

ELECTRICAL DATA:

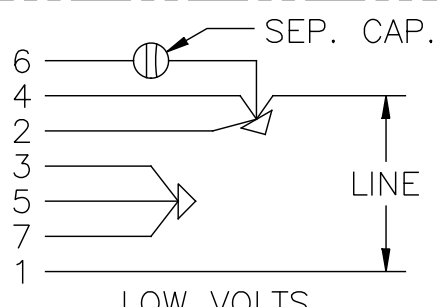
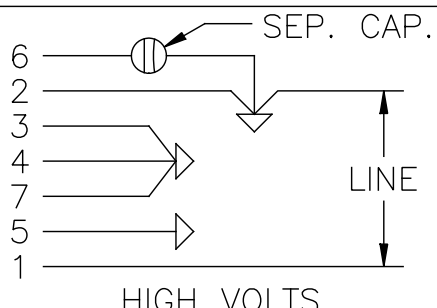
OVERLOAD PROTECTOR: AUTOMATIC RESET (SENSATA 7AM 304)

LEADS: NO. 18 GA., .03 [.8] THK. XLP 125°C INSUL.

NAMEPLATE DATA:

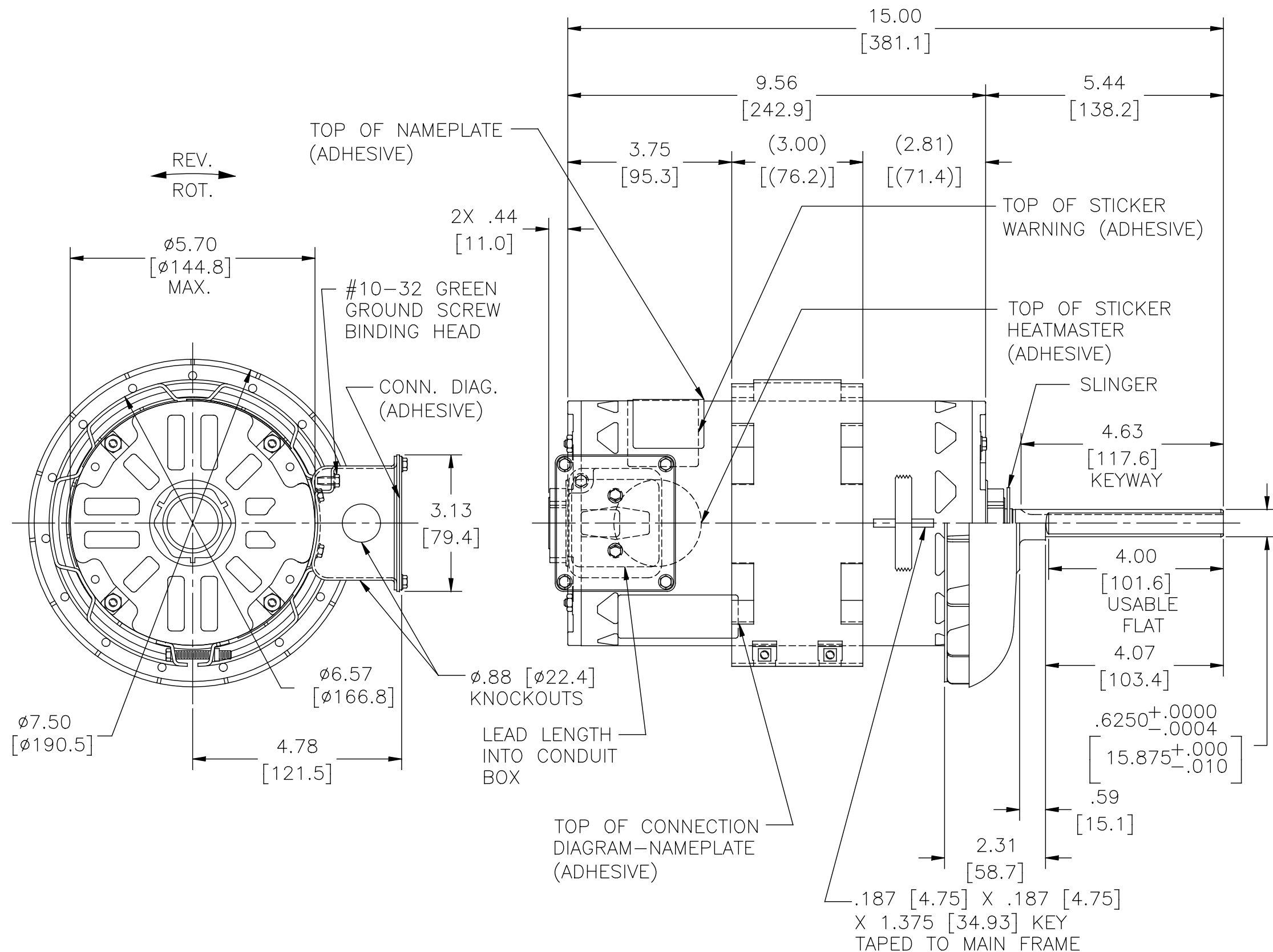
MODEL NO.: F48Z99A01  
 CUST. P/N: FC1106F  
 HP: 1  
 ROT.: REVERSIBLE  
 RPM: 1075  
 TYPE: UAF  
 FRAME: 48Y  
 VOLTS: 200-230/460  
 PH: 1  
 AMPS: 6.4/3.2  
 HZ: 60  
 INS.: F  
 AMB.: 70° C  
 DUTY: AIR OVER  
 CAP.: 25 MFD/370 V  
 ENCL: OPEN  
 UL LOGO  
 CSA LOGO  
 THERMALLY PROTECTED  
 TYPE T

EXTERNAL CONNECTION DIAGRAM



LOW VOLTS  
 SHOWN FOR CCWLE ROT.  
 FOR CWLE ROT. INTERCHANGE  
 NO. 6 AND NO. 7 LEADS  
 614131-060

PERFORMANCE CURVE NO.	TORQUE @ 1075 RPM (25°C)	APPROVED SAMPLE	UL COMPONENT FILE #	CCN #	CSA FILE #	CLASS #
C16535	97.1 OZ. FT.	0701428B	E46412	PRGY2	LR43341	4211-01



COLOR	LENGTH	TERMINAL OR STRIP LENGTH
RED (1)	5.0/7.0 [127/178]	.50 [12.7] SKIN
RED (2)	5.0/7.0 [127/178]	.50 [12.7] SKIN
RED (3)	5.0/7.0 [127/178]	.50 [12.7] SKIN
YELLOW (4)	5.0/7.0 [127/178]	.50 [12.7] SKIN
YELLOW (5)	5.0/7.0 [127/178]	.50 [12.7] SKIN
YELLOW (6)	5.0/7.0 [127/178]	.50 [12.7] SKIN
BLUE (7)	5.0/7.0 [127/178]	.50 [12.7] SKIN

REGAL-BELOIT CORPORATION (RBC) PROVIDES TECHNICAL ASSISTANCE TO OUR CUSTOMERS IN SEVERAL AREAS. SINCE RBC DOES NOT RECEIVE ALL DATA CONCERNING THE USE AND APPLICATION OF THE MOTOR, THE SUITABILITY OF THE MOTOR FOR THE APPLICATION MUST BE DETERMINED BY THE CUSTOMER.

DIMENSIONS WITHOUT TOLERANCES ARE FOR REFERENCE ONLY.

MAIN FRAME - OLE	OPEN
END FRAME - OLE	OPEN
MAIN FRAME - LE	OPEN
END FRAME - LE	OPEN

CUSTOMER	DISTRIBUTION SERVICE
----------	----------------------

DRAWING REVISION D	REVISION BY C.ZHOU	DATE 12-08-2016
ECO-0113485	APPROVED BY D.LI	DATE 12-08-2016
ECO DESCRIPTION REMOVED CHINESE AND SPANISH LAYERS		

COPYRIGHT REGAL-BELOIT AMERICA, INC. ALL RIGHTS RESERVED. PROPRIETARY AND CONFIDENTIAL INFORMATION - THIS DOCUMENT IS THE PROPERTY OF REGAL-BELOIT AMERICA, INC. (OWNER) AND CONTAINS OWNER'S PROPRIETARY INFORMATION. ANY PERSON, CORPORATION OR OTHER FIRM RECEIVING IT IS DEEMED, BY RECEIVING IT, TO AGREE THAT IT, AND/OR ANY PART OF IT, SHALL NOT BE DISCLOSED TO ANY PERSON, CORPORATION OR OTHER ENTITY, DUPLICATED, AND/OR USED, EXCEPT AS EXPRESSLY APPROVED IN WRITING IN ADVANCE BY OWNER. THIS DOCUMENT SHALL BE RETURNED TO OWNER UPON REQUEST. IT MAY BE SUBJECT TO CERTAIN RESTRICTIONS UNDER APPLICABLE EXPORT CONTROL LAWS AND REGULATIONS.

DRAWN BY: CHERRY.ZHANG  
 DATE: 03-28-2011  
 APPROVED BY: TIGER.WANG  
 DATE: 03-28-2011  
 PROCESS/FINISH: -

**REGAL** Regal Beloit America, Inc.  
 DESCRIPTION: MODEL-RFHP-48FR OUTLINE  
 MATERIAL: -  
 SIZE DWG NO: C FC1106F  
 SHEET: 1

D

C

B

A

D

C

B

A