

4 3 2 1

版本	ECO	编制	日期	批准	日期
F	ECO-0028126	jrupert	10-24-2012	jrupert	10-24-2012

总技术要求:

轴跳动: .001[.03]/1[25.4]外伸轴

轴承: 球轴承

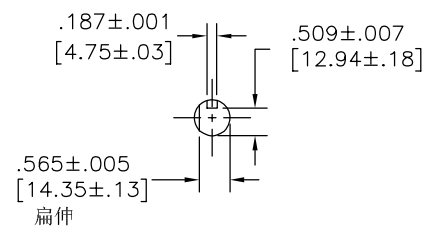
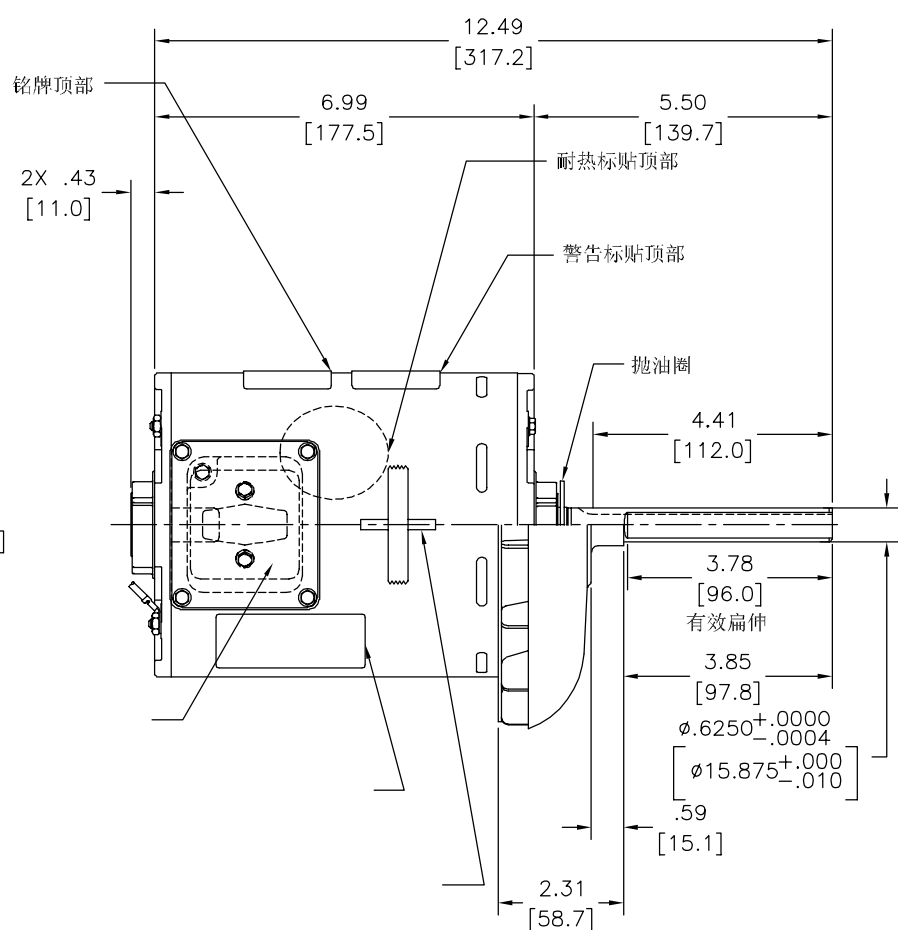
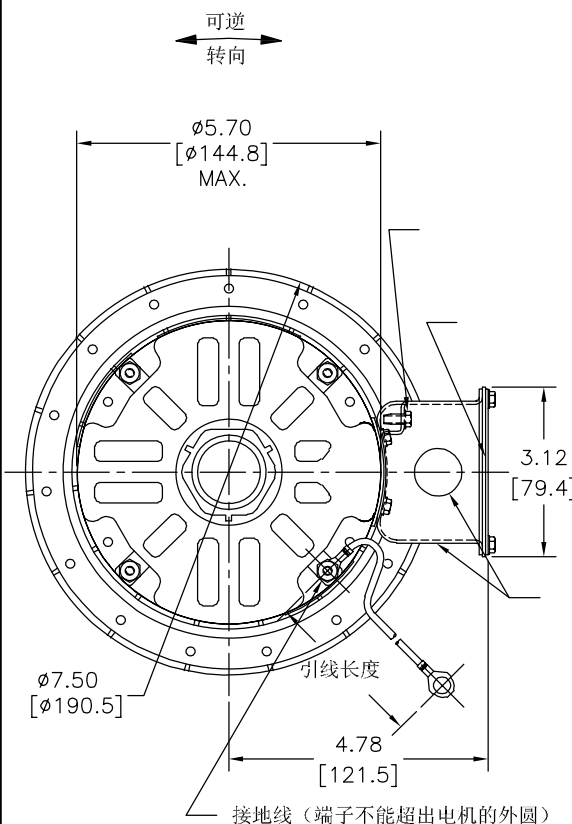
安装位置: 转轴朝下

电气数据:

过载保护: 自动复位 (SENSATA 7AM 304)

引线: 18# (美制标准), 厚.03[.8] XLP 125° C 绝缘

接地线: 16# (美制标准), 厚.03[0.8]绿色绝缘



铭牌数据	外部数据线
MODEL NO.: F48AA13A01 CUST. P/N: FC1066AF HP: .6 ROT.: REVERSIBLE RPM: 1075 TYPE: UF FRAME: 48Y VOLTS: 200-230/460 PH: 1 AMPS: 4.0/2.0 HZ: 60 INS.: F AMB.: 70° C DUTY: AIR OVER CAP.: 7.5 MFD/440 V ENCL: SEMI-ENCL. UL LOGO CSA LOGO THERMALLY PROTECTED	

颜色	长度	端子或剥线长度
绿 (接地线)	12.0/13.0 [305/330]	
红 (1)	5.0/7.0 [127/178]	.50 [12.7] 剥皮
红 (2)	5.0/7.0 [127/178]	.50 [12.7] 剥皮
红 (3)	5.0/7.0 [127/178]	.50 [12.7] 剥皮
黄 (4)	5.0/7.0 [127/178]	.50 [12.7] 剥皮
黄 (5)	5.0/7.0 [127/178]	.50 [12.7] 剥皮
黄 (6)	5.0/7.0 [127/178]	.50 [12.7] 剥皮
蓝 (7)	5.0/7.0 [127/178]	.50 [12.7] 剥皮

无引线端机壳	开放
无引线端端盖	开放
有引线端机壳	密封
有引线端端盖	开放

性能曲线编号	转矩在 10750 RPM @ 25° C	批准样品	UL部件	CSA
C32798	45.0 OZ. FT.	0701420A	文件号 指南	文件号 指南
			E46412 PRGY2	LR43341 4211-01

形位公差 平面度 直线度 倾斜度 垂直度 平行度 圆度 圆柱度 面轮廓度 线轮廓度 圆跳动 位置度 同轴度 对称度	REGAL-BELOIT CORPORATION (RBC) 在个别领域为客户提供技术支持。鉴于 RBC 未收到任何涉及电机使用和应用环境的数据, 电机的适用性由客户自己决定。  未注公差尺寸仅供参考。
--	---

绘图: jrupert	09-25-2007
批准: cbranham	09-25-2007
第二角投影	图纸格式发布日期 11-11-2011 图纸格式版本 H
机密: 本图纸及相关信息所有权归REGAL-BELOIT CORPORATION。未经REGAL-BELOIT CORPORATION书面授权, 不得泄露、复制、传播或作其他用途。--版权所有	

<b>REGAL-BELOIT CORPORATION</b>	
MODEL-RFHP-48FR OUTLINE	
图号	FC1066AF
比例	NONE
页号	1

4 3 2 1

4 3 2 1

GENERAL INFORMATION:

SHAFT RUNOUT: .001 [.03] T.I.R. PER INCH LENGTH OF EXTENSION

BEARINGS: BALL

MOUNTING POSITION: VERTICAL SHAFT UP

ELECTRICAL DATA:

OVERLOAD PROTECTOR: AUTOMATIC RESET (SENSATA 7AM 304)

LEADS: NO. 18 GA., .03 [.8] THK. XLP 125°C INSUL.

GROUND LEAD: NO. 16 GA., .03 [.8] THK. (GREEN) INSUL.

REV	ECO	REV BY	DATE	APPD	DATE
F	ECO-0028126	jrupert	10-24-2012	jrupert	10-24-2012

NAMEPLATE DATA:	EXTERNAL CONNECTION DIAGRAM
MODEL NO.: F48AA13A01 CUST. P/N: FC1066AF HP: .6 ROT.: REVERSIBLE RPM: 1075 TYPE: UF FRAME: 48Y VOLTS: 200-230/460 PH: 1 AMPS: 4.0/2.0 HZ: 60 INS.: F AMB.: 70° C DUTY: AIR OVER CAP.: 7.5 MFD/440 V ENCL: SEMI-ENCL. UL LOGO CSA LOGO THERMALLY PROTECTED	<p>HIGH VOLTS</p> <p>LOW VOLTS</p> <p>SHOWN FOR CCWLE ROT. FOR CWLE ROT. INTERCHANGE NO. 6 AND NO. 7 LEADS</p> <p>614131-060</p>

PERFORMANCE CURVE NO.	TORQUE @ 1075 RPM (25°C)	APPROVED SAMPLE	UL COMPONENT		CSA	
C32798	45.0 OZ. FT.	0701420A	FILE #	CCN #	FILE #	CLASS #
			E46412	PRGY2	LR43341	4211-01

GEOMETRIC CHARACTERISTICS & SYMBOLS

- ▮ FLATNESS
- STRAIGHTNESS
- ∠ ANGULARITY
- ⊥ PERPENDICULARITY (SQUARENESS)
- ∥ PARALLELISM
- ROUNDNESS (CIRCULARITY)
- ⊘ CYLINDRICITY
- △ PROFILE OF ANY SURFACE
- ⌒ PROFILE OF ANY LINE
- ∩ RUNOUT
- ⊕ TRUE POSITION
- ⊙ CONCENTRICITY
- ≡ SYMMETRY

ASME Y14.5M 1994

REGAL-BELOIT CORPORATION (RBC) PROVIDES TECHNICAL ASSISTANCE TO OUR CUSTOMERS IN SEVERAL AREAS. SINCE RBC DOES NOT RECEIVE ALL DATA CONCERNING THE USE AND APPLICATION OF THE MOTOR, THE SUITABILITY OF THE MOTOR FOR THE APPLICATION MUST BE DETERMINED BY THE CUSTOMER.

DIMENSIONS WITHOUT TOLERANCES ARE FOR REFERENCE ONLY.

DR BY: jrupert 09-25-2007

APPD: cbranham 09-25-2007

THIRD ANGLE PROJECTION

EDS DATE 11-11-2011  
FORMAT REV H

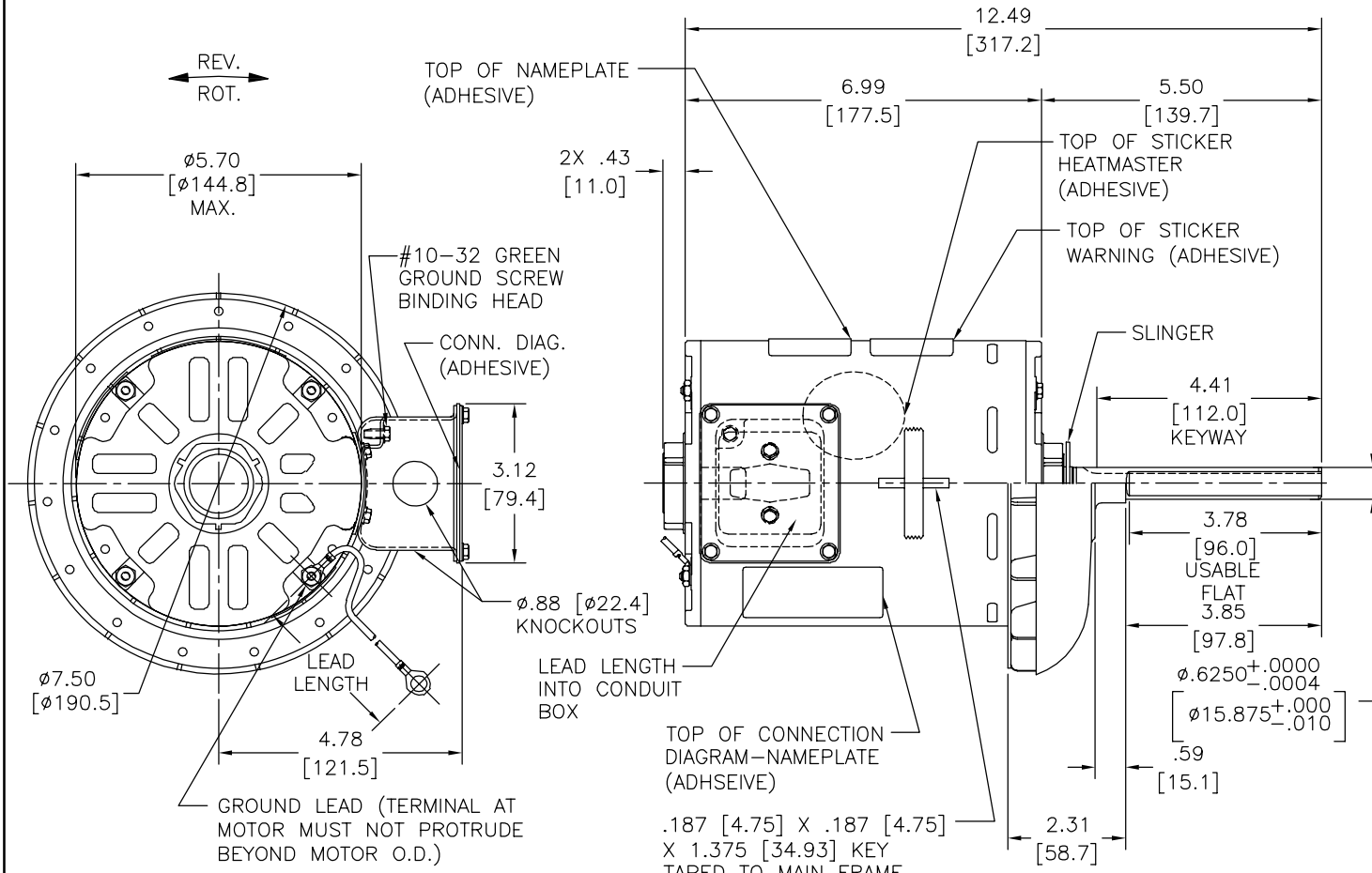
CONFIDENTIAL: THIS DRAWING AND ITS INFORMATION ARE THE EXCLUSIVE AND CONFIDENTIAL PROPERTY OF REGAL-BELOIT CORPORATION AND ARE NOT TO BE DISCLOSED, DUPLICATED, DISTRIBUTED OR OTHERWISE USED WITHOUT THE WRITTEN CONSENT OF REGAL-BELOIT CORPORATION. -ALL RIGHTS RESERVED.

**REGAL REGAL-BELOIT CORPORATION**

DESCRIPTION: MODEL-RFHP-48FR OUTLINE

SIZE C DWG NO FC1066AF

SCALE NONE SHEET 1



GREEN (GROUND)	12.0/13.0 [305/330]	.328 [8.33] RING
RED (1)	5.0/7.0 [127/178]	.50 [12.7] SKIN
RED (2)	5.0/7.0 [127/178]	.50 [12.7] SKIN
RED (3)	5.0/7.0 [127/178]	.50 [12.7] SKIN
YELLOW (4)	5.0/7.0 [127/178]	.50 [12.7] SKIN
YELLOW (5)	5.0/7.0 [127/178]	.50 [12.7] SKIN
YELLOW (6)	5.0/7.0 [127/178]	.50 [12.7] SKIN
BLUE (7)	5.0/7.0 [127/178]	.50 [12.7] SKIN
COLOR	LENGTH	TERMINAL OR STRIP LENGTH

MAIN FRAME - OLE	OPEN
END FRAME - OLE	OPEN
MAIN FRAME - LE	ENCLOSED
END FRAME - LE	OPEN

CUSTOMER	DISTRIBUTION SERVICE
----------	----------------------

4 3 2 1

4 3 2 1

INFORMACION GENERAL:

OSCILACION DE FLECHA: .001 [.03] T.I.R. PER INCH LENGTH OF EXTENSION

BALEROS: BALERO

POSICION DEL MONTAJE: FLECHA VERTICAL ENCIMA DE

INFORMACION ELECTRICA:

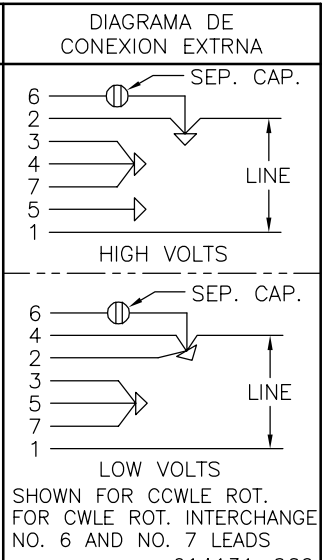
SOBRECARGA DEL PROTECTOR: REINICIO AUTOMATICO (SENSATA 7AM 304)

CABLES: NO. 18 GA., .03 [.8] THK. XLP 125°C AISLAM.

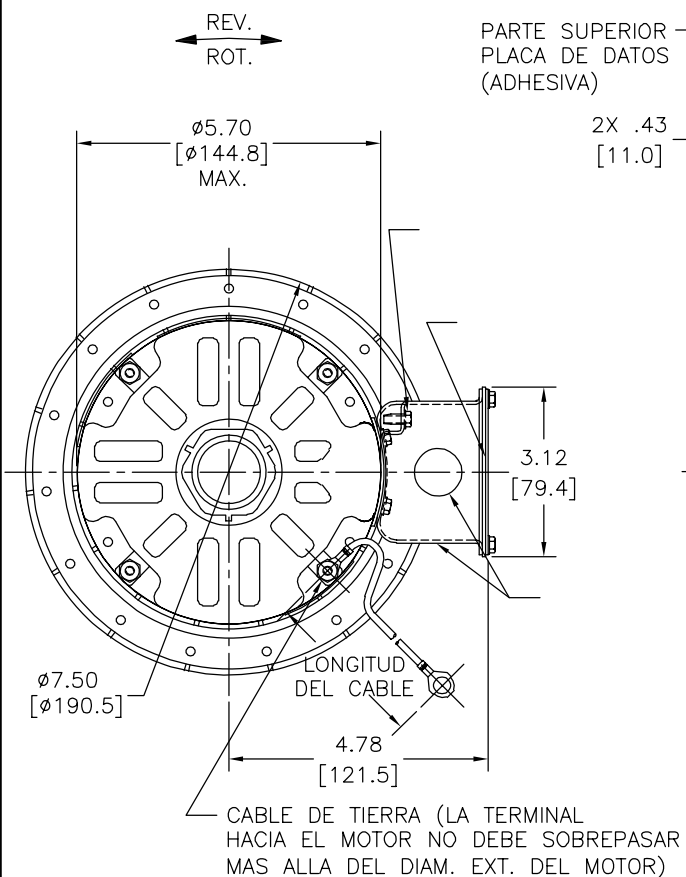
CABLE DE TIERRA: NO. 16 GA., .03 [.8] THK. (VERDE) AISLAM.

REVISION:	ECO	REVISADO POR:	FECHA:	APROBADO POR:	FECHA:
F	ECO-0028126	jrupert	10-24-2012	jrupert	10-24-2012

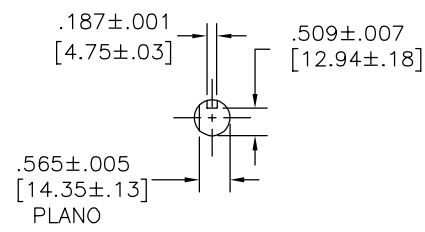
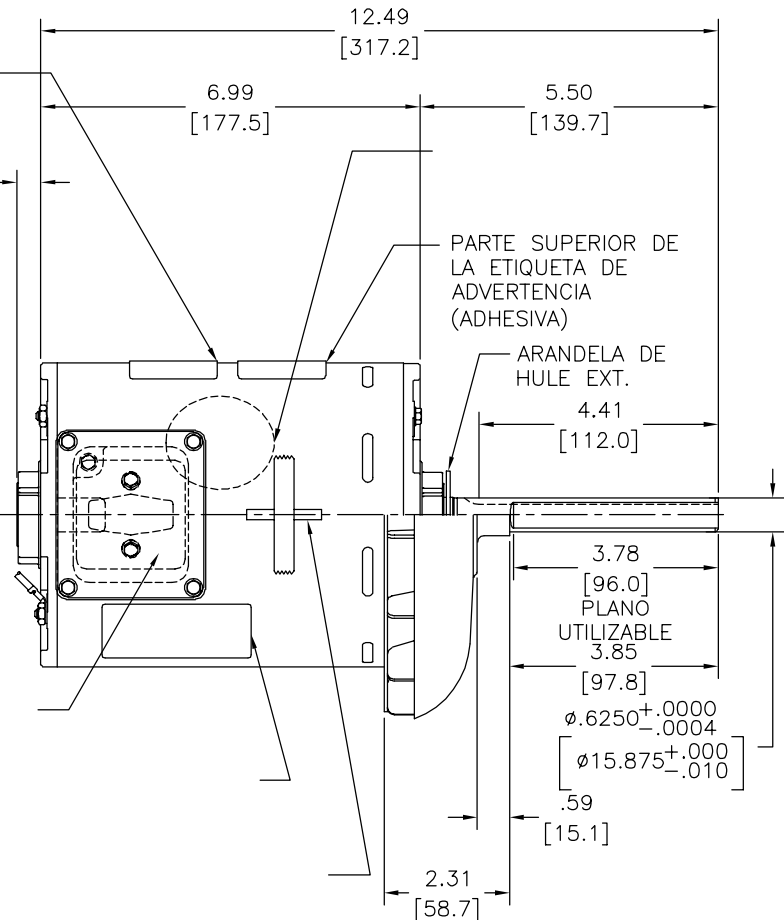
INFORMACION DE ETIQUETA:  
 MODEL NO.: F48AA13A01  
 CUST. P/N: FC1066AF  
 HP: .6  
 ROT.: REVERSIBLE  
 RPM: 1075  
 TYPE: UF  
 FRAME: 48Y  
 VOLTS: 200-230/460  
 PH: 1  
 AMPS: 4.0/2.0  
 HZ: 60  
 INS.: F  
 AMB.: 70° C  
 DUTY: AIR OVER  
 CAP.: 7.5 MFD/440 V  
 ENCL: SEMI-ENCL.  
 UL LOGO  
 CSA LOGO  
 THERMALLY PROTECTED



CURVAS DE FUNCIONAMIENTO	TORSION @ 1075 RPM (25°C)	MUESTRA APROBADA	COMPONENTE UL	CSA
C32798	45.0 OZ. FT.	0701420A	#ARCHIVO PRGY2	LR43341 4211-01



VERDE (TIERRA)	12.0/13.0 [305/330]	
ROJO (1)	5.0/7.0 [127/178]	.50 [12.7] DEL PIEL
ROJO (2)	5.0/7.0 [127/178]	.50 [12.7] DEL PIEL
ROJO (3)	5.0/7.0 [127/178]	.50 [12.7] DEL PIEL
AMARILLO (4)	5.0/7.0 [127/178]	.50 [12.7] DEL PIEL
AMARILLO (5)	5.0/7.0 [127/178]	.50 [12.7] DEL PIEL
AMARILLO (6)	5.0/7.0 [127/178]	.50 [12.7] DEL PIEL
AZUL (7)	5.0/7.0 [127/178]	.50 [12.7] DEL PIEL
COLOR	LONGITUD	TERMINAL O LONGITUD DE DESFORRE



DE CARCASA - OLE	ABIERTA
DE TAPA - OLE	ABIERTA
DE CARCASA - LE	ENCERRADO
DE TAPA - LE	ABIERTA

CLIENTE	DISTRIBUTION SERVICE
---------	----------------------

CARACTERISTICAS DE GEOMETRIA Y SIMBOLOS

- PLANICIDAD
- RECTITUD
- ANGULARIDAD
- PERPENDICULARIDAD (A ESCUADRA)
- PARALELISMO
- REDONDEZ (CIRCULARIDAD)
- CILINDRICIDAD
- PERFIL DE CUALQUIER SUPERFICIE
- PERFIL DE CUALQUIER LINEA
- VARIACION
- POSICION REAL
- CONCENTRICIDAD
- SIMETRIA

ASME Y14.5M 1994

REGAL-BELOIT CORPORATION (RBC) PROVEE ASISTENCIA TECNICA A NUESTROS CLIENTES EN VARIAS AREAS. DESDE QUE RBC NO RECIBE TODOS LOS DATOS EN RELACION AL USO Y A LA APLICACION DEL MOTOR, LA APLICACION ADECUADA DEL MOTOR DEBE SER DETERMINADA POR EL CLIENTE.

DIMENSIONES SIN TOLERANCIA SON DE REFERENCIA SOLAMENTE

DIBUJADO POR: jrupert 09-25-2007

APROBADO POR: cbranham 09-25-2007

TERCER ANGULO DE PROYECCION

FECHA EDS: 11-11-2011

REV. FORMATO: H

CONFIDENCIAL: ESTE DIBUJO Y SU INFORMACION SON PROPIEDAD DE USO EXCLUSIVO Y CONFIDENCIAL DE REGAL-BELOIT CORPORATION. Y NO DEBERAN SER REVELADOS, DUPLICADOS, DISTRIBUIDOS O USARSE DE OTRA MANERA SIN EL CONSENTIMIENTO ESCRITO DE REGAL-BELOIT CORPORATION. -TODOS LOS DERECHOS RESERVADOS.

**REGAL REGAL-BELOIT CORPORATION**

DESCRIPCION: MODEL-RFHP-48FR OUTLINE

TAMAÑO: C NUMERO DE DIBUJO: FC1066AF

ESCALA: NONE HOJA: 1

4 3 2 1