

GENERAL INFORMATION:

SHAFT RUNOUT: .001 [.03] T.I.R. PER INCH LENGTH OF EXTENSION

BEARINGS: BALL

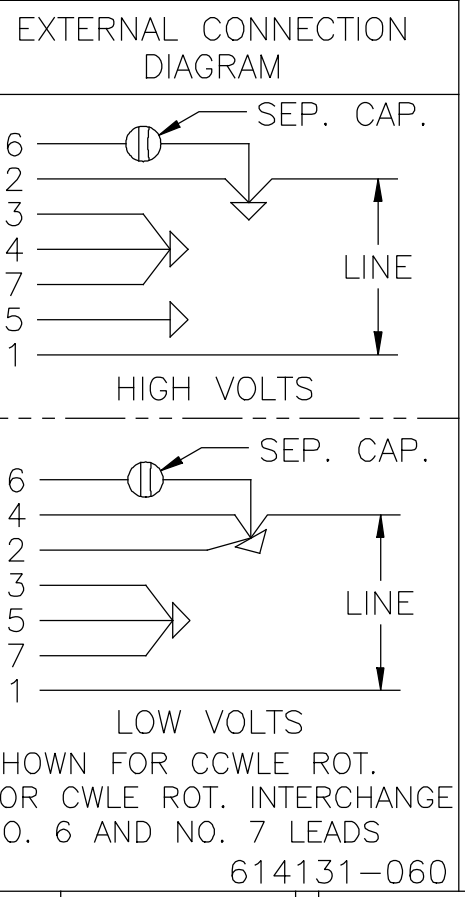
MOUNTING POSITION: VERTICAL SHAFT UP

ELECTRICAL DATA:

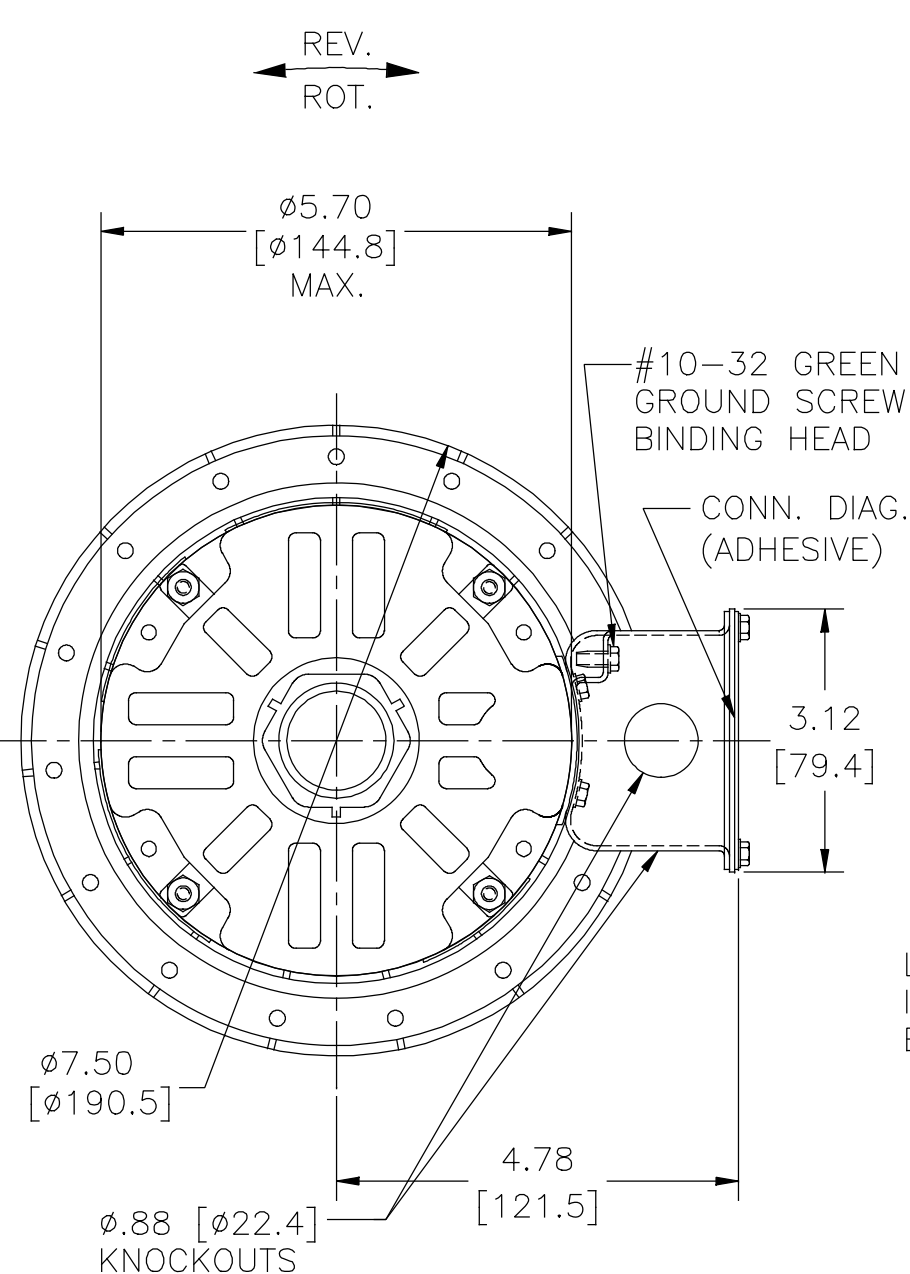
OVERLOAD PROTECTOR: AUTOMATIC RESET (SENSATA 7AM 304)

LEADS: NO. 18 GA., .03 [.8] THK. XLP 125°C INSUL.

NAMEPLATE DATA:
 MODEL NO.: F48AA01A01
 CUST. P/N: FC1046F
 HP: .4
 ROT.: REVERSIBLE
 RPM: 1075
 TYPE: UF
 FRAME: 48Y
 VOLTS: 200-230/460
 PH: 1
 AMPS: 3.2/1.6
 HZ: 60
 INS.: F
 AMB.: 70° C
 DUTY: AIR OVER
 CAP.: 5/440VAC
 ENCL: OPEN
 UL LOGO
 CSA LOGO
 THERMALLY PROTECTED

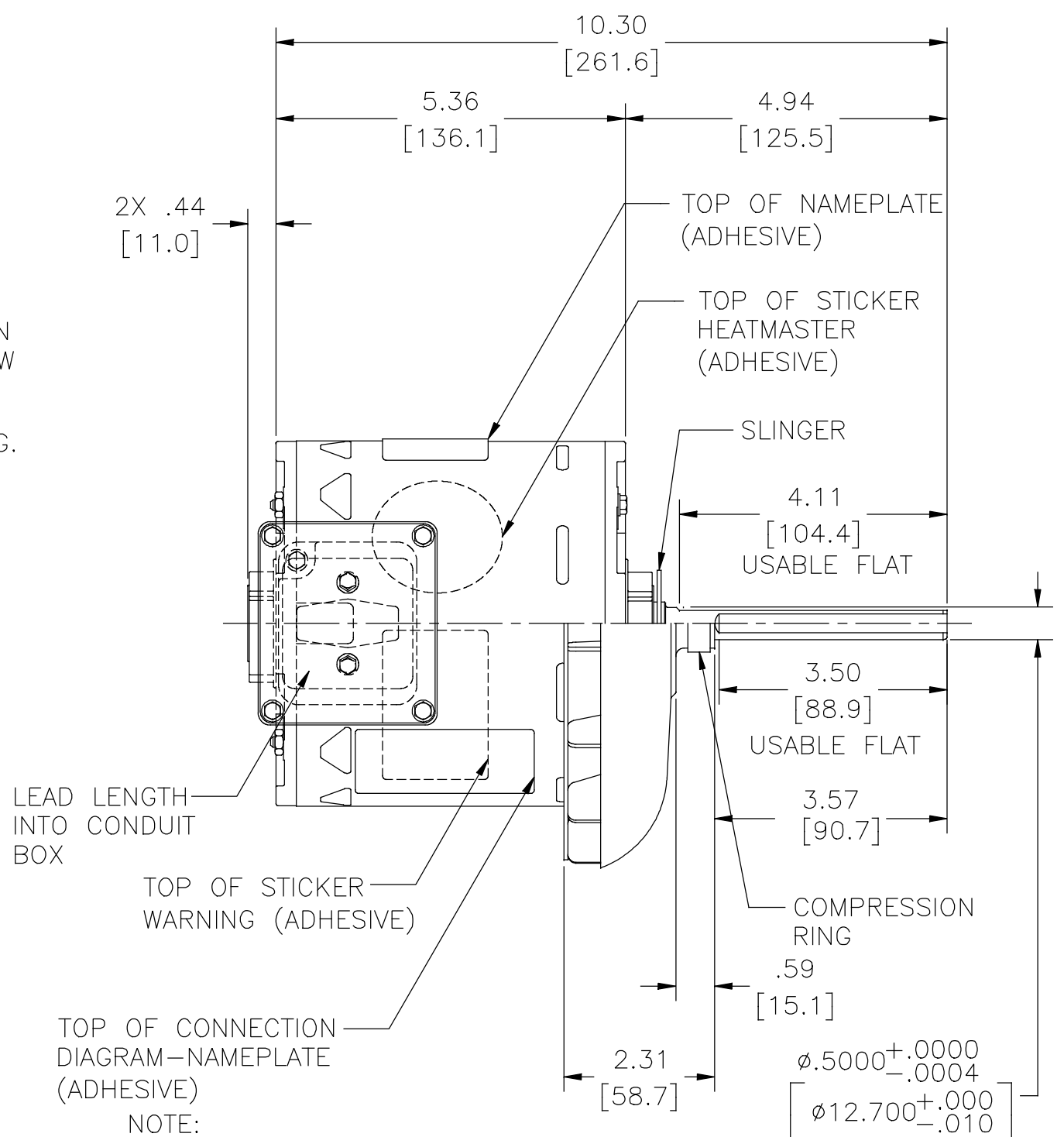


PERFORMANCE CURVE NO.	TORQUE @ 1075 RPM (25°C)	APPROVED SAMPLE	UL COMPONENT		CSA	
			FILE #	CCN #	FILE #	CLASS #
C18075	30.0 OZ. FT.	0701429A	E46412	PRGY2	LR43341	4211-01

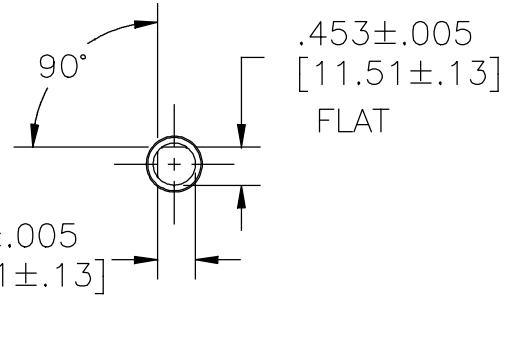


COLOR	LENGTH	TERMINAL OR STRIP LENGTH
RED (1)	5.0/7.0 [127/178]	.50 [12.7] SKIN
RED (2)	5.0/7.0 [127/178]	.50 [12.7] SKIN
RED (3)	5.0/7.0 [127/178]	.50 [12.7] SKIN
YELLOW (4)	5.0/7.0 [127/178]	.50 [12.7] SKIN
YELLOW (5)	5.0/7.0 [127/178]	.50 [12.7] SKIN
YELLOW (6)	5.0/7.0 [127/178]	.50 [12.7] SKIN
BLUE (7)	5.0/7.0 [127/178]	.50 [12.7] SKIN

LEAD DATA



- NOTE:
- (1) KEY 605888-004
 - (1) SHAFT ADAPTER 614675
 - (1) INSTRUCTION SHEET 614795 TO BE PUT IN POLY BAGS AND SHIPPED SEPARATE IN EACH CARTON WITH MOTOR.



ENCLOSURE	OPEN
MAIN FRAME - OLE	OPEN
END FRAME - OLE	OPEN
MAIN FRAME - LE	OPEN
END FRAME - LE	OPEN

CUSTOMER	DISTRIBUTION SERVICE

REGAL-BELOIT CORPORATION (RBC) PROVIDES TECHNICAL ASSISTANCE TO OUR CUSTOMERS IN SEVERAL AREAS. SINCE RBC DOES NOT RECEIVE ALL DATA CONCERNING THE USE AND APPLICATION OF THE MOTOR, THE SUITABILITY OF THE MOTOR FOR THE APPLICATION MUST BE DETERMINED BY THE CUSTOMER.

DRAWING REVISION	REVISION BY	DATE
G	JERRY CHAI	10-07-2018
E	TRICIA NIEDERHOLTMEYER	10-07-2018

COPYRIGHT REGAL-BELOIT AMERICA, INC. ALL RIGHTS RESERVED. PROPRIETARY AND CONFIDENTIAL INFORMATION - THIS DOCUMENT IS THE PROPERTY OF REGAL-BELOIT AMERICA, INC. (OWNER) AND CONTAINS OWNER'S PROPRIETARY INFORMATION. ANY PERSON, CORPORATION OR OTHER FIRM RECEIVING IT IS DEEMED TO HAVE AGREED TO ACCEPT THESE TERMS AND CONDITIONS. ANY REPRODUCTION, DISTRIBUTION, OR OTHER USE OF THIS DOCUMENT WITHOUT THE EXPRESS WRITTEN PERMISSION OF REGAL-BELOIT AMERICA, INC. IS STRICTLY PROHIBITED. THIS DOCUMENT SHALL BE RETURNED TO OWNER UPON REQUEST. IT MAY BE SUBJECT TO CERTAIN RESTRICTIONS UNDER APPLICABLE EXPORT CONTROL LAWS AND REGULATIONS.

DRAWN BY:	DATE:	APPROVED BY:	DATE:	REFERENCE:	THIRD ANGLE PROJECTION	SIZE	DWG NO.	SHEET
JEFF RUPERT	09-21-2007	CBRANHAM	09-21-2007			C	FC1046F	1

REGAL Regal Beloit America, Inc.
 DESCRIPTION: MODEL-RFHP-48FR OUTLINE

DIMENSIONS WITHOUT TOLERANCES ARE FOR REFERENCE ONLY.