

GENERAL INFORMATION:

SHAFT RUNOUT: .001[.03] T.I.R. PER INCH LENGTH OF EXTENSION

BEARINGS: BALL

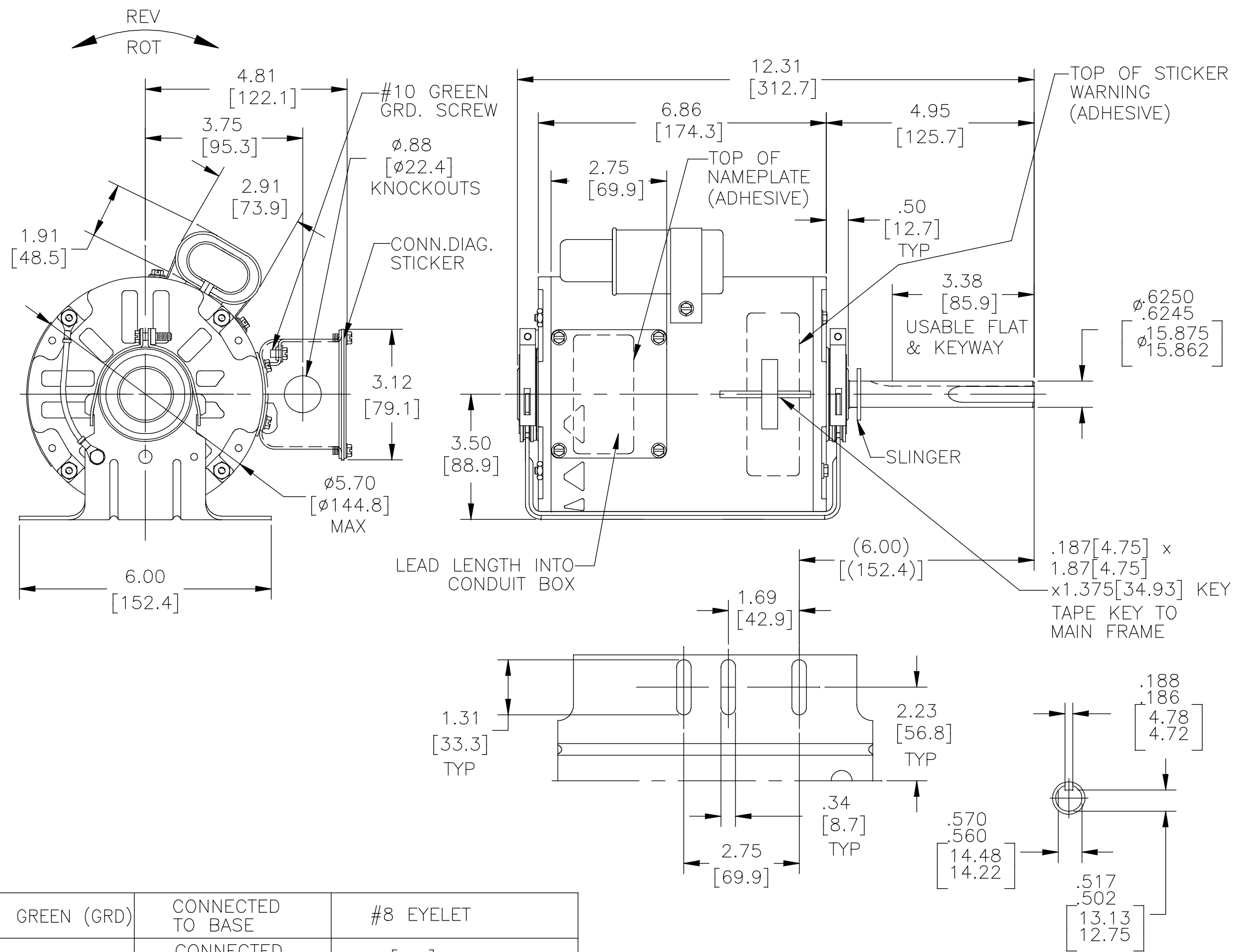
MOUNTING POSITION: VERTICLE SHAFT UP

ELECTRICAL DATA:

OVERLOAD PROTECTOR: AUTOMATIC RESET (T.I. 7AM 036)

LEADS: NO. 18 GA., .03[.8] THK. 125°C XLP

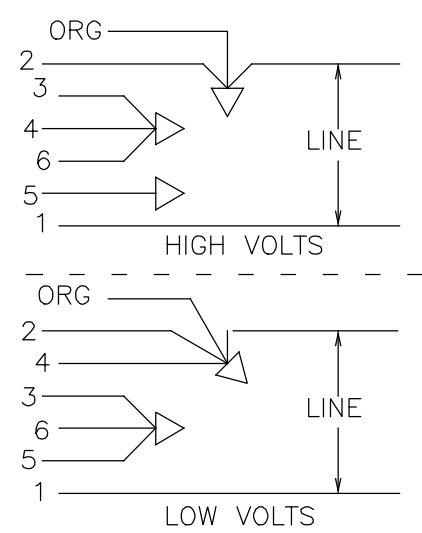
GROUND LEAD: NO. 18 GA., .03[.8] THK. (GREEN) INSUL.



NAMEPLATE DATA:

MODEL NO.: F48SU6V13
 CUST. P/N: FB1076
 HP: 3/4
 ROT.: REVERSIBLE
 RPM: 1075
 TYPE: UF
 FRAME: 56Y
 VOLTS: 208-230/460
 PH: 1
 AMPS: 5.0/2.5MAX.(6.0/3.0)
 HZ: 60
 INS.: B
 AMB.: 60° C
 DUTY: AIR OVER
 CAP.: 17.5 MFD/370V
 ENCL: SEMI-ENCL
 UL LOGO
 CSA LOGO
 THERMALLY PROTECTED

EXTERNAL CONNECTION DIAGRAM



SHOWN FOR CCWLE ROT. FOR CWLE ROT. INTERCHANGE NO.6 AND ORANGE LEADS.

614131-122

| GREEN (GRD) | CONNECTED TO BASE | #8 EYELET |
|-------------|------------------------|--------------------------|
| ORANGE | CONNECTED TO CAPACITOR | .25[6.4] FLAG |
| BROWN | CONNECTED TO CAPACITOR | .25[6.4] FLAG |
| ORANGE | 6.0/7.0 [152/178] | .50[12.7] SKIN |
| RED 1 | 6.0/7.0 [152/178] | .50[12.7] SKIN |
| RED 2 | 6.0/7.0 [152/178] | .50[12.7] SKIN |
| RED 3 | 6.0/7.0 [152/178] | .50[12.7] SKIN |
| YELLOW 4 | 6.0/7.0 [152/178] | .50[12.7] SKIN |
| YELLOW 5 | 6.0/7.0 [152/178] | .50[12.7] SKIN |
| YELLOW 6 | 6.0/7.0 [152/178] | .50[12.7] SKIN |
| COLOR | LENGTH | TERMINAL OR STRIP LENGTH |

REGAL-BELOIT CORPORATION (RBC) PROVIDES TECHNICAL ASSISTANCE TO OUR CUSTOMERS IN SEVERAL AREAS. SINCE RBC DOES NOT RECEIVE ALL DATA CONCERNING THE USE AND APPLICATION OF THE MOTOR, THE SUITABILITY OF THE MOTOR FOR THE APPLICATION MUST BE DETERMINED BY THE CUSTOMER.

DIMENSIONS WITHOUT TOLERANCES ARE FOR REFERENCE ONLY.

| | |
|------------------|---------------|
| MAIN FRAME - OLE | ENCLOSED |
| END FRAME - OLE | ENCLOSED |
| MAIN FRAME - LE | SEMI-ENCLOSED |
| END FRAME - LE | OPEN |

| | |
|----------|----------------------|
| CUSTOMER | DISTRIBUTION SERVICE |
|----------|----------------------|

| PERFORMANCE CURVE NO. | TORQUE @ 1075 RPM (25°C) | APPROVED SAMPLE | UL COMPONENT FILE # | CCN # | CSA FILE # | CLASS # |
|-----------------------|--------------------------|-----------------|---------------------|-------|------------|---------|
| C23774 | 77.9 OZ. FT. | EX11805-1 | E46412 | PRGY2 | LR43341 | 4211-01 |

| DRAWING REVISION | REVISION BY | DATE |
|------------------|------------------------|------------|
| D | JERRY CHAI | 08-31-2018 |
| ECO | APPROVED BY | DATE |
| ECO-0151845 | Tricia Niederholtmeyer | 08-31-2018 |
| ECO DESCRIPTION | | |
| SEE ECO | | |

COPYRIGHT REGAL-BELOIT AMERICA, INC. ALL RIGHTS RESERVED. PROPRIETARY AND CONFIDENTIAL INFORMATION - THIS DOCUMENT IS THE PROPERTY OF REGAL-BELOIT AMERICA, INC. (OWNER) AND CONTAINS OWNER'S PROPRIETARY INFORMATION. ANY PERSON, CORPORATION OR OTHER FIRM RECEIVING IT IS DEEMED, BY RECEIVING IT, TO AGREE THAT IT, AND/OR ANY PART OF IT, SHALL NOT BE DISCLOSED TO ANY PERSON, CORPORATION OR OTHER ENTITY, DUPLICATED, AND/OR USED, EXCEPT AS EXPRESSLY APPROVED IN WRITING IN ADVANCE BY OWNER. THIS DOCUMENT SHALL BE RETURNED TO OWNER UPON REQUEST. IT MAY BE SUBJECT TO CERTAIN RESTRICTIONS UNDER APPLICABLE EXPORT CONTROL LAWS AND REGULATIONS.

DRAWN BY: J.ZHU
 DATE: 03-08-2012
 APPROVED BY: B.SHEN
 DATE: 03-08-2012
 PROCESS/FINISH: -

REGAL™ Regal Beloit America, Inc.

DESCRIPTION MODEL-RFHP-48FR OUTLINE

SIZE DWG NO FB1076 SHEET 1

THIRD ANGLE PROJECTION