

GENERAL INFORMATION:

SHAFT RUNOUT: .001 [.03] T.I.R. PER INCH LENGTH OF EXTENSION

BEARINGS: BALL

MOUNTING POSITION: VERTICAL SHAFT UP

ELECTRICAL DATA:

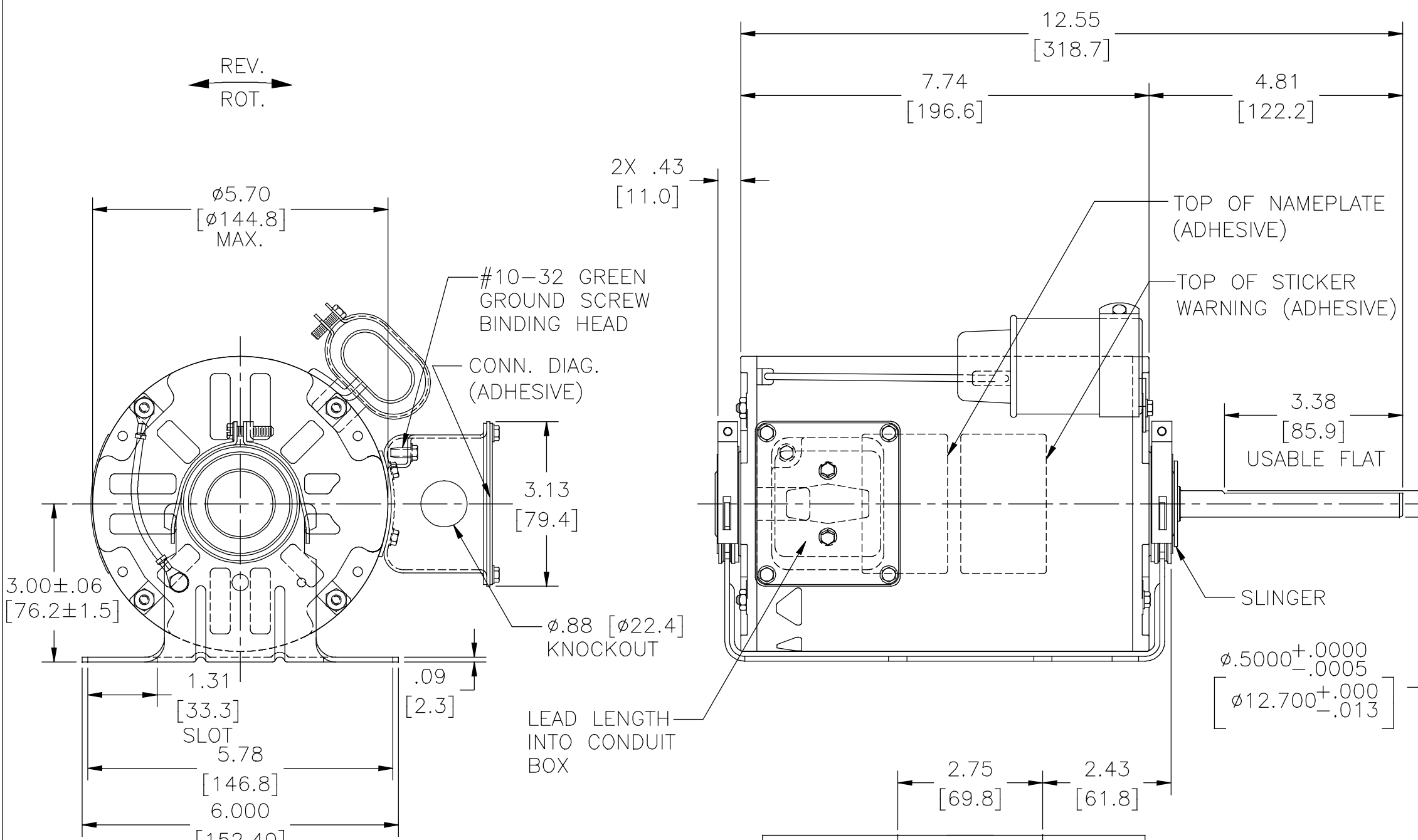
OVERLOAD PROTECTOR: AUTOMATIC RESET (T.I. 7AM 036)

LINE LEADS: NO. 18 GA., .03 [.8] THK. XLP 125°C INSUL.

GROUND LEAD: NO. 18 GA., .03 [.8] THK. (GREEN) INSUL.

NAMEPLATE DATA:	EXTERNAL CONNECTION DIAGRAM
MODEL NO.: F48SQ6V70 CUST. P/N: FB1056 HP: 1/2 ROT.: REVERSIBLE RPM: 1075 TYPE: UF FRAME: 48Y VOLTS: 208-230/460 PH: 1 AMPS: 4.0/2.0MAX 5.2/2.6 HZ: 60 INS.: B AMB.: 60° C DUTY: AIR OVER CAP.: 7.5 MFD/370 V ENCL: SEMI-ENCL. UL LOGO CSA LOGO THERMALLY PROTECTED	<p>HIGH VOLTS</p> <p>LOW VOLTS SHOWN FOR CCWLE ROT. FOR CWLE ROT. INTERCHANGE NO. 6 AND ORANGE LEADS</p>

PERFORMANCE CURVE NO.	TORQUE @ 1075 RPM (25°C)	APPROVED SAMPLE	UL COMPONENT FILE #	CCN #	CSA FILE #	CLASS #
C24018	49.5 OZ. FT.	EX12109	E46412	PRGY2	LR43341	4211-01



COLOR	LENGTH	TERMINAL OR STRIP LENGTH
GREEN (GROUND)	CONNECTED TO BASE	#10 EYELET
BROWN	CONNECTED TO CAPACITOR	.25 [6.4] FLAG
ORANGE	CONNECTED TO CAPACITOR	.25 [6.4] FLAG
ORANGE	6.0/7.0 [152/178]	.50 [12.7] SKIN
BLACK #6	6.0/7.0 [152/178]	.50 [12.7] SKIN
BLACK #5	6.0/7.0 [152/178]	.50 [12.7] SKIN
BLACK #4	6.0/7.0 [152/178]	.50 [12.7] SKIN
BLACK #3	6.0/7.0 [152/178]	.50 [12.7] SKIN
BLACK #2	6.0/7.0 [152/178]	.50 [12.7] SKIN
BLACK #1	6.0/7.0 [152/178]	.50 [12.7] SKIN

ENCLOSURE	CUSTOMER	DISTRIBUTION SERVICE
MAIN FRAME - OLE	ENCLOSED	
END FRAME - OLE	ENCLOSED	
MAIN FRAME - LE	SEMI-ENCL.	
END FRAME - LE	OPEN	

DRAWING REVISION	REVISION BY	DATE
F	JERRY CHAI	12-26-2018
ECO	APPROVED BY SARA HELTON	DATE 12-26-2018
ECO-0159017	SARA HELTON	DATE 12-26-2018
ECO DESCRIPTION	SEE ECO	

REGAL™ Regal Beloit America, Inc.

DESCRIPTION: MODEL-RFHP-48FR OUTLINE

MATERIAL: -

THIRD ANGLE PROJECTION

SIZE DWG NO: C 11819-016

SHEET 1

COPYRIGHT REGAL BELOIT AMERICA, INC. ALL RIGHTS RESERVED. PROPRIETARY AND CONFIDENTIAL INFORMATION - THIS DOCUMENT IS THE PROPERTY OF REGAL BELOIT AMERICA, INC. (OWNER) AND CONTAINS OWNER'S PROPRIETARY INFORMATION. ANY PERSON, CORPORATION OR OTHER FIRM RECEIVING IT IS DEEMED, BY RECEIVING IT, TO AGREE THAT IT, AND/OR ANY PART OF IT, SHALL NOT BE DISCLOSED TO ANY PERSON, CORPORATION OR OTHER ENTITY, DUPLICATED, AND/OR USED, EXCEPT AS EXPRESSLY APPROVED IN WRITING IN ADVANCE BY OWNER. THIS DOCUMENT SHALL BE RETURNED TO OWNER UPON REQUEST. IT MAY BE SUBJECT TO CERTAIN RESTRICTIONS UNDER APPLICABLE EXPORT CONTROL LAWS AND REGULATIONS.