

GENERAL INFORMATION:

SHAFT RUNOUT: .001 [.025] T.I.R. PER INCH LENGTH OF EXTENSION

BEARINGS: BALL

MOUNTING POSITION: VERTICAL SHAFT-UP

ELECTRICAL DATA:

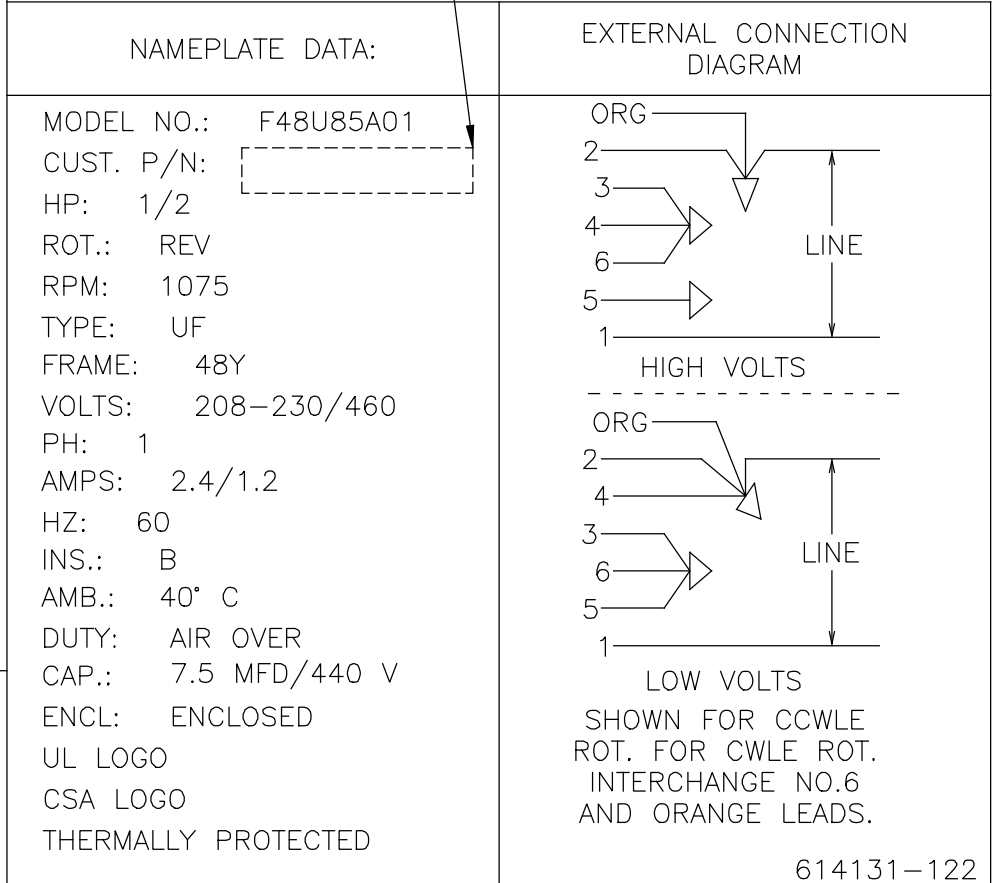
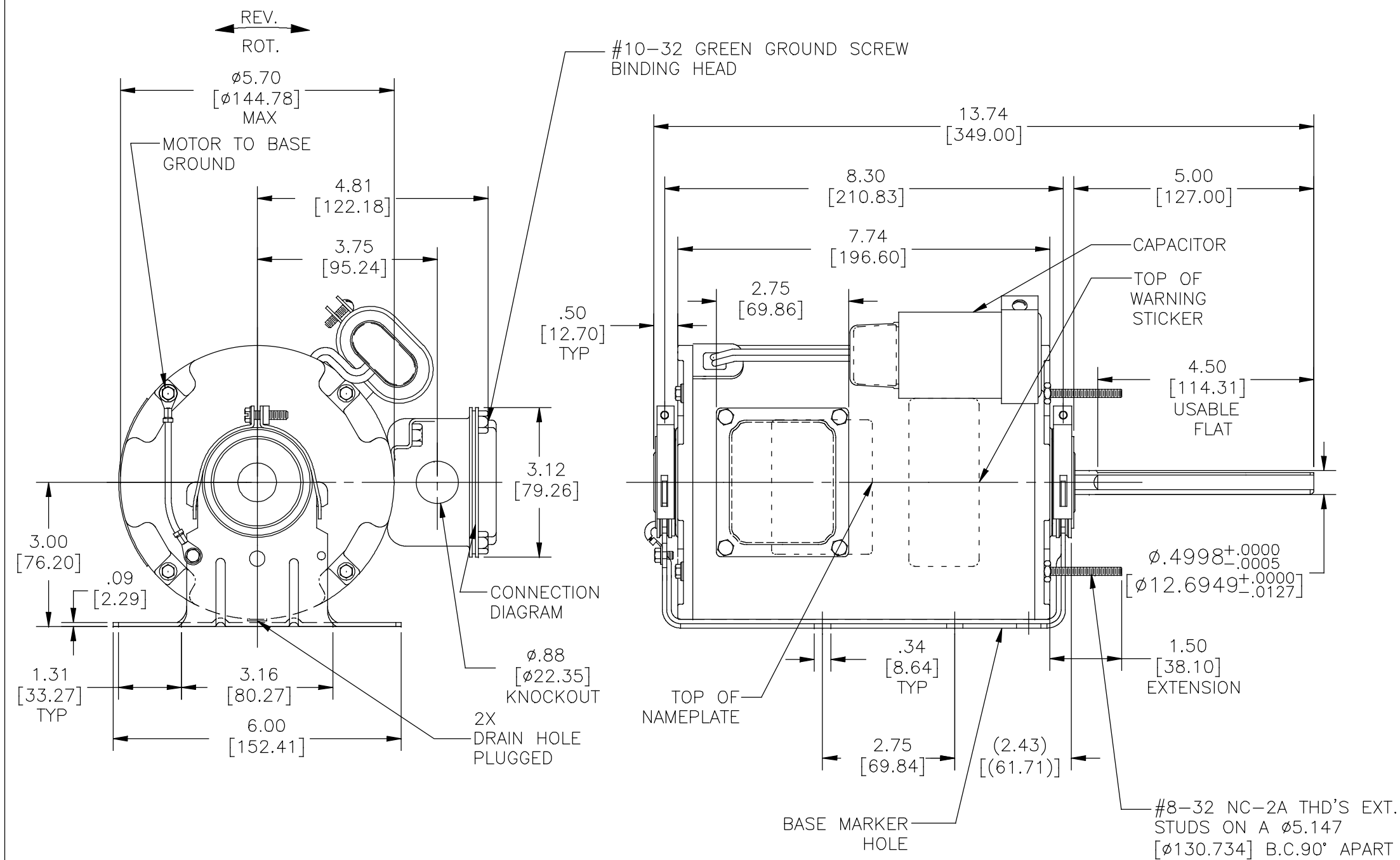
OVERLOAD PROTECTOR: AUTOMATIC RESET (T.I. 7AM 036)

LEADS: NO. 18 GA., .03 [.76] THK. XLP 125°C INSUL.

GROUND LEAD: NO. 18 GA., .03 [.76] THK. (GREEN) INSUL.

NOTES:
1. DISTRIBUTION:CUST. P/N: FB1056TE
GRAINGER:CUST. P/N: 4MA29

SEE NOTE 1



COLOR	LENGTH	TERMINAL OR STRIP LENGTH
GREEN(GRD)	5/7 [127/178]	#10 EYELET
BROWN	CONNECTED TO CAPACITOR	.25 [6.35] FLAG
ORANGE	CONNECTED TO CAPACITOR	.25 [6.35] FLAG
ORANGE	6/7 [152/178]	.50 [12.70] SKIN
BLACK#1	6/7 [152/178]	.50 [12.70] SKIN
BLACK#2	6/7 [152/178]	.50 [12.70] SKIN
BLACK#3	6/7 [152/178]	.50 [12.70] SKIN
BLACK#4	6/7 [152/178]	.50 [12.70] SKIN
BLACK#5	6/7 [152/178]	.50 [12.70] SKIN
BLACK#6	6/7 [152/178]	.50 [12.70] SKIN

REGAL-BELOIT CORPORATION (RBC) PROVIDES TECHNICAL ASSISTANCE TO OUR CUSTOMERS IN SEVERAL AREAS. SINCE RBC DOES NOT RECEIVE ALL DATA CONCERNING THE USE AND APPLICATION OF THE MOTOR, THE SUITABILITY OF THE MOTOR FOR THE APPLICATION MUST BE DETERMINED BY THE CUSTOMER.

DIMENSIONS WITHOUT TOLERANCES ARE FOR REFERENCE ONLY.

ENCLOSURE	DESCRIPTION	TERMINAL OR STRIP LENGTH
MAIN FRAME - OLE	ENCLOSED	W/PLUGGED DRAIN HOLE
END FRAME - OLE	ENCLOSED	
MAIN FRAME - LE	ENCLOSED	W/PLUGGED DRAIN HOLE
END FRAME - LE	ENCLOSED	

PERFORMANCE CURVE NO.	TORQUE @ 1075 RPM (25°C)	APPROVED SAMPLE	UL COMPONENT	CSA
C31621	36.0.OZ.FT	EX12109	FILE # E46412 PRGY2	FILE # LR43341 GUIDE # 4211-01

DRAWING REVISION	REVISION BY	DATE
A	HANNA.ZOU	08-21-2017
ECC	CADDIE.ZHOU	08-21-2017

ECC DESCRIPTION: NEW MODEL RELEASE

COPYRIGHT REGAL-BELOIT AMERICA, INC. ALL RIGHTS RESERVED. PROPRIETARY AND CONFIDENTIAL INFORMATION - THIS DOCUMENT IS THE PROPERTY OF REGAL-BELOIT AMERICA, INC. (OWNER) AND CONTAINS OWNER'S PROPRIETARY INFORMATION. ANY PERSON, CORPORATION OR OTHER FIRM RECEIVING IT IS DEEMED, BY RECEIVING IT, TO AGREE THAT IT, AND/OR ANY PART OF IT, SHALL NOT BE DISCLOSED TO ANY PERSON, CORPORATION OR OTHER ENTITY, DUPLICATED, AND/OR USED, EXCEPT AS EXPRESSLY APPROVED IN WRITING IN ADVANCE BY OWNER. THIS DOCUMENT SHALL BE RETURNED TO OWNER UPON REQUEST. IT MAY BE SUBJECT TO CERTAIN RESTRICTIONS UNDER APPLICABLE EXPORT CONTROL LAWS AND REGULATIONS.

DRAWN BY: HANNA.ZOU
DATE: 08-21-2017

APPROVED BY: CADDIE.ZHOU
DATE: 08-21-2017

PROCESS/FINISH: -

THIRD ANGLE PROJECTION

REGAL™ Regal Beloit America, Inc.

DESCRIPTION: MODEL-RFHP-48FR OUTLINE

MATERIAL: -

SIZE DWG NO: C FB1056TE

SHEET: 1

