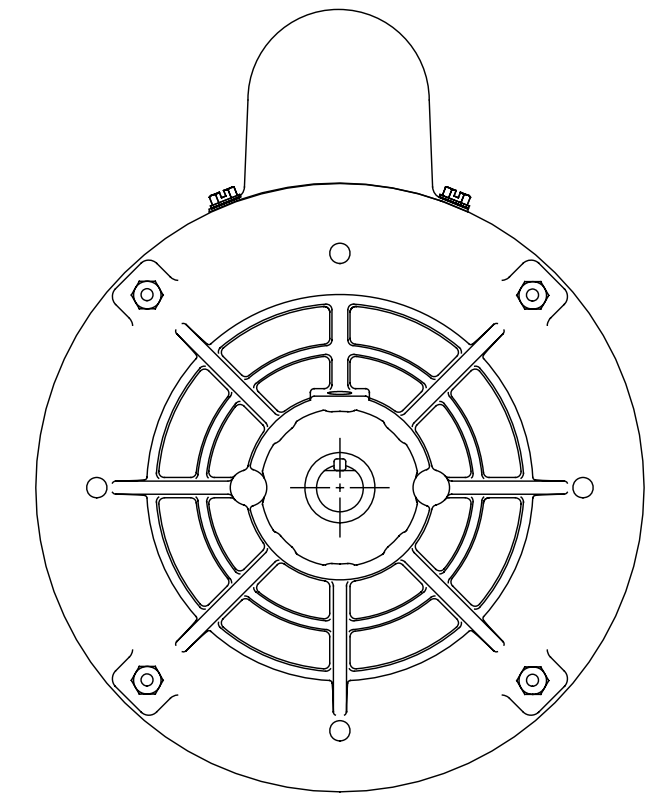
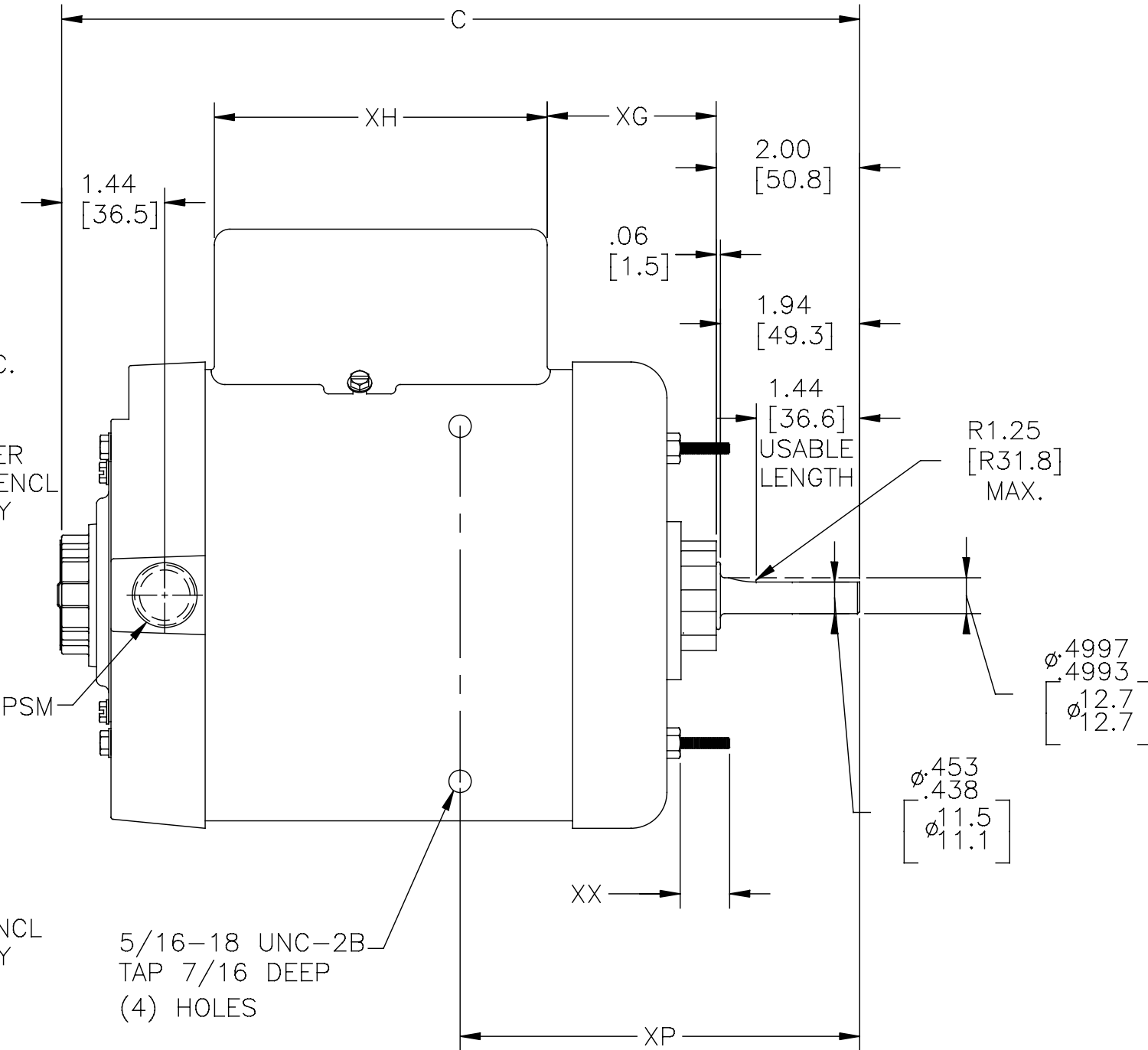
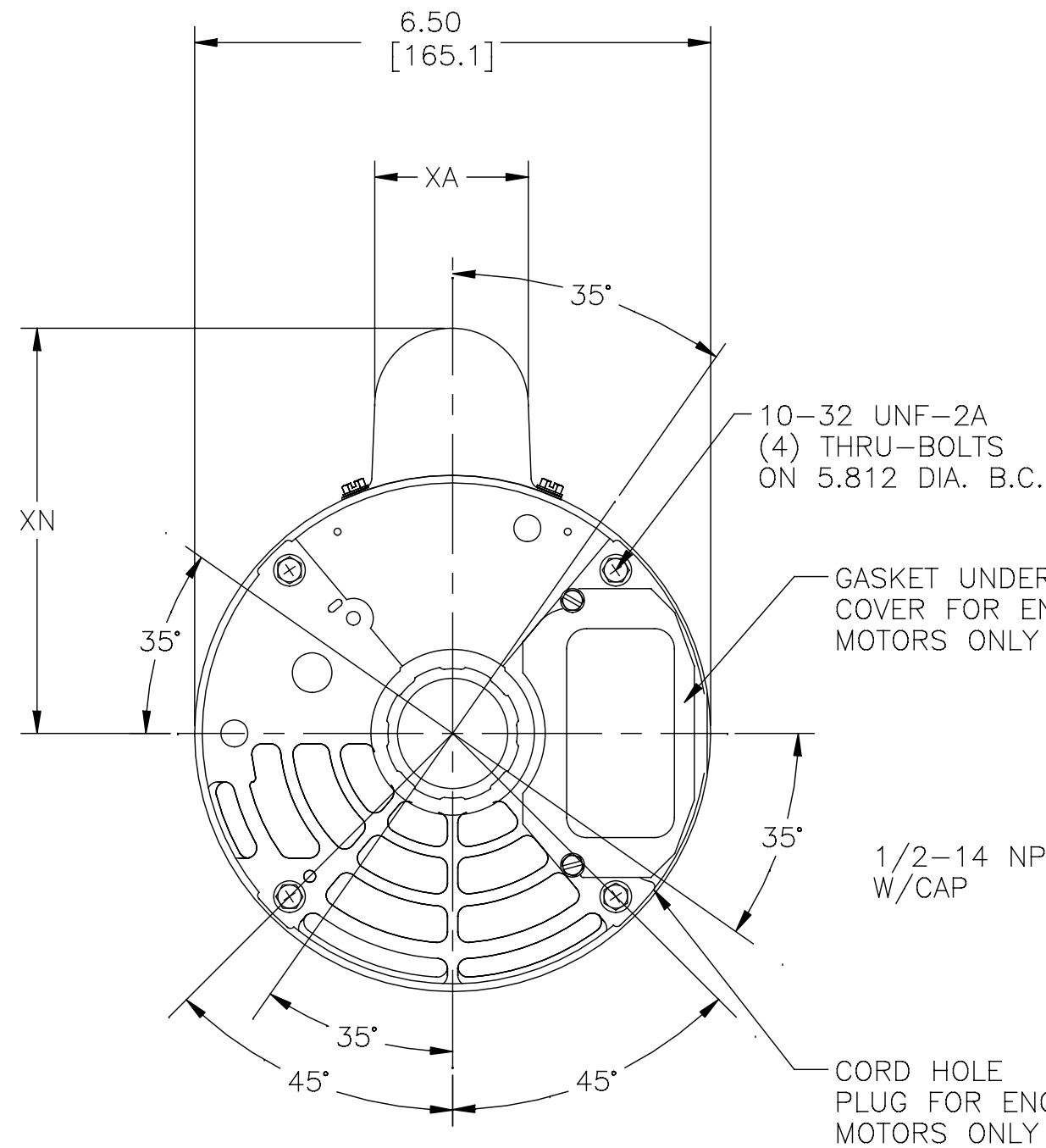


GRP	REFERENCE		C	XA	XG	XH	XN	XX	XP
	TYPE	FRAME							
01	SP	J56Z	11.12					.69	5.51
02	SP	K56Y	11.50					.69	5.51
03	CX	H56Y	10.12	2.34	1.74	4.64	4.60	.69	5.51

NOTES

(1) ALL DIMENSIONS SHOWN IN PARENTHESIS ARE REFERENCE DIMENSIONS. ALL OTHER DIMENSIONS ARE TOLERANCED PER THE FOLLOWING CHART UNLESS OTHERWISE SPECIFIED.

"C" DIM. = +/- .055  
 SHAFT EXT. = +/- .034  
 LEAD LENGTHS = +/- 1.00  
 EXTENDED THRU-BOLTS = +/- .050



DRAWING REVISION K		REVISION BY M.RODARTE	DATE 12-04-2015	TOLERANCES UNLESS OTHERWISE SPECIFIED		DRAWN BY:		<b>Regal Beloit America, Inc.</b>
ECC 0089950		APPROVED BY M.RODARTE	DATE 12-04-2015	DEC. INCH	mm	ANGLE	DATE:	
ECC DESCRIPTION SEE ECC				.X	+0.1	[±2.5]	±0.5°	APPROVED BY:
				.XX	+0.02	[±0.51]		DATE:
				.XXX	+0.005	[±0.127]		REFERENCE
				.XXXX	+0.0005	[±0.0127]		MATERIAL
				REMOVE BURRS & BREAK SHARP EDGES .003/015 [076/381]				PROCESS/FINISH
				CORNER FILLETS .02 [51]				SIZE DWG NO
				MACHINED SURFACES 125/32/32				162915
				mm SHOWN IN [BRACKETS]				SHEET 1