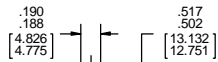
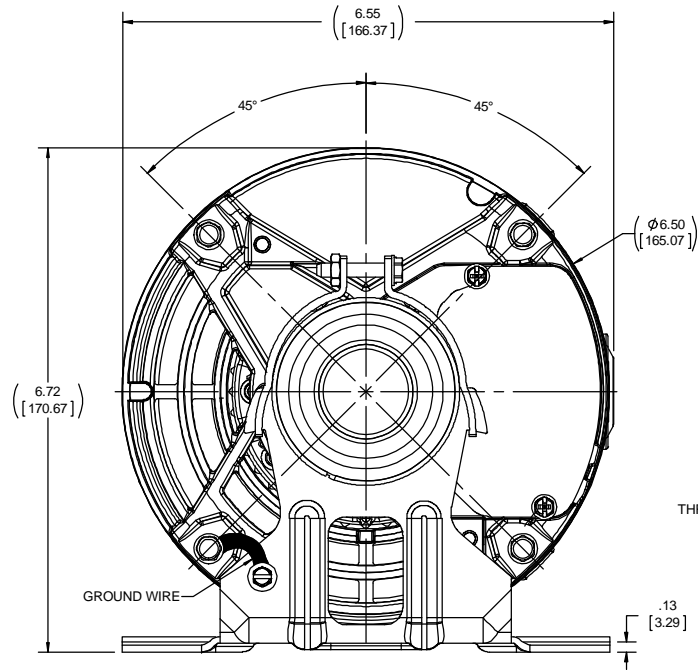
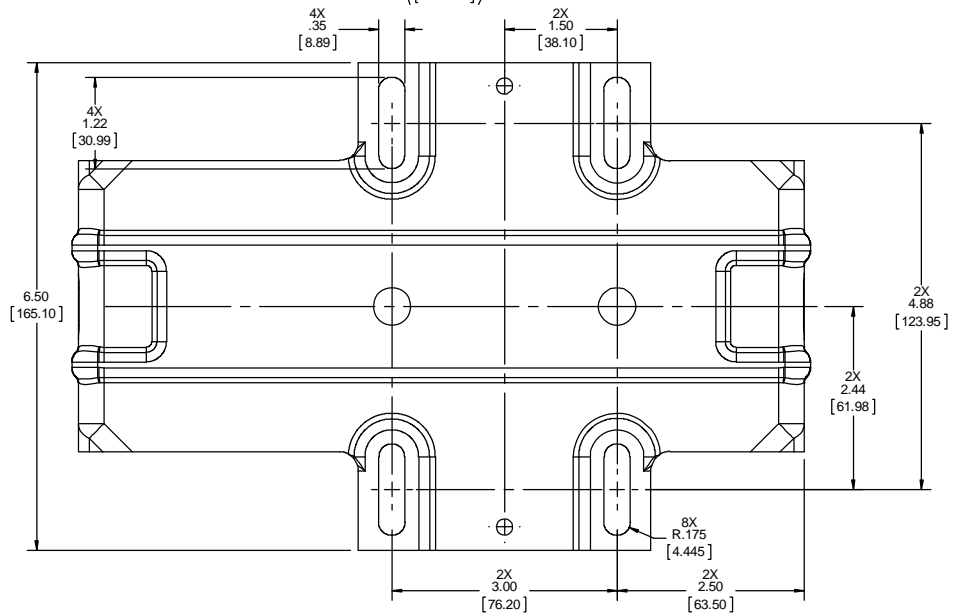
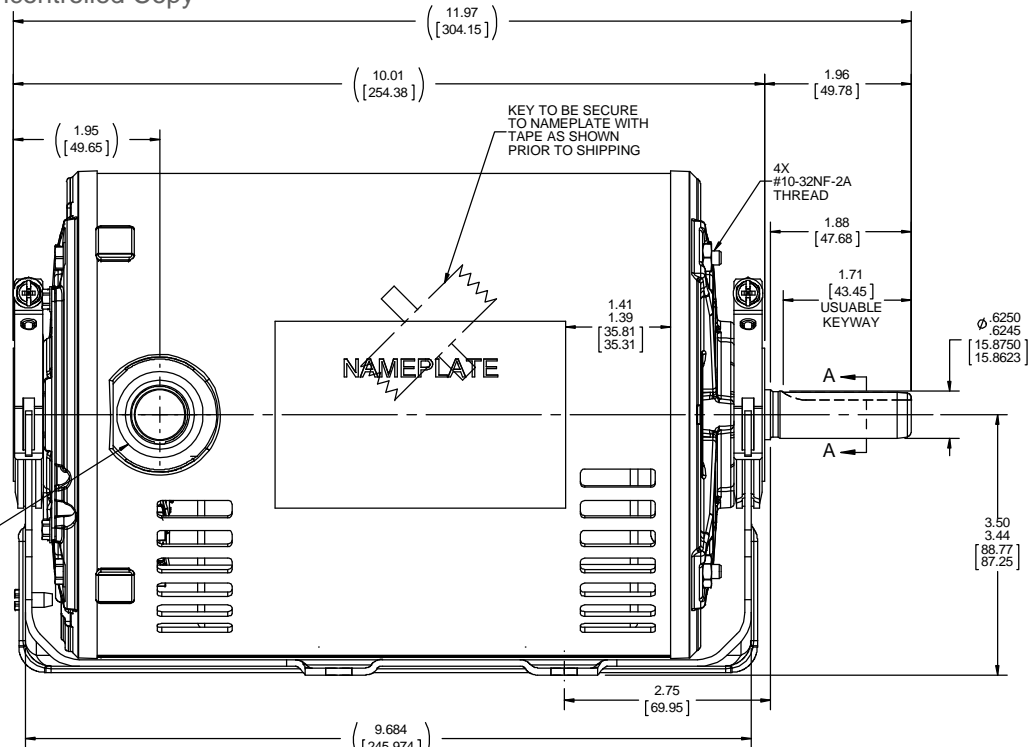
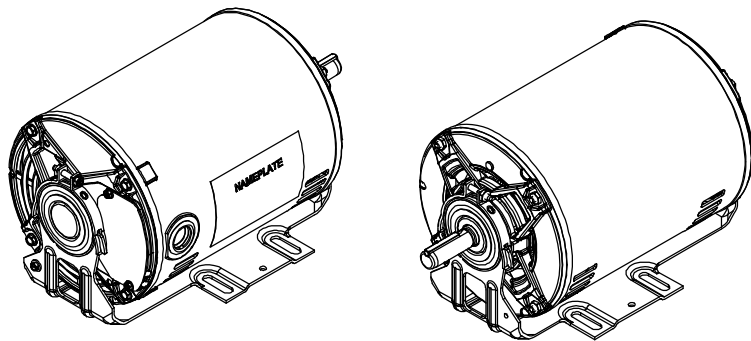


Uncontrolled Copy



SECTION A-A



DRAWING REVISION B	REVISION BY SHESHI	DATE 01/10/2019	TOLERANCES UNLESS OTHERWISE SPECIFIED: DEC. INCH mm ANGLE	DRAWN BY J.RUIZ	Regal Beloit America, Inc.
ECO ECO-0159763	APPROVED BY D.SURYAWANSHI	DATE 01/10/2019	.X ±0.1 [2.5] 30.5° .XX ±0.03 [0.76] .XXX ±0.005 [0.127] .XXXX ±0.0005 [±0.0127]	DATE 06-10-2016	
ECO DESCRIPTION UPDATED MOTOR ASSY			REMOVE BURRS & BREAK SHARP EDGES: .0031 [078/381] X 45° CORNER FILLETS: R. 02 [51]	APPROVED BY J.ORTEGA	DESCRIPTION OUTLINE 56FR,DP,1-PHASE
<small>COPYRIGHT REGAL BELOIT AMERICA, INC. ALL RIGHTS RESERVED. PROPRIETARY AND CONFIDENTIAL INFORMATION. THIS DOCUMENT IS THE PROPERTY OF REGAL BELOIT AMERICA, INC. OWNERS AND CONTAINS OWNERS PROPRIETARY INFORMATION. ANY PERSON, CORPORATION OR OTHER FIRM RECEIVING IT IS DEEMED BY RECEIVING IT, TO AGREE THAT IT, AND/OR ANY PART OF IT, SHALL NOT BE DISCLOSED TO ANY PERSON, CORPORATION OR OTHER ENTITY, DUPLICATED, AND/OR USED, EXCEPT AS EXPRESSLY APPROVED IN WRITING IN ADVANCE BY OWNER. THIS DOCUMENT SHALL BE RETURNED TO OWNER UPON REQUEST. IT MAY BE SUBJECT TO CERTAIN RESTRICTIONS UNDER APPLICABLE EXPORT CONTROL LAWS AND REGULATIONS.</small>			MACHINED SURFACES: 125 / 3/2 INCH/ mm SHOWN IN [BRACKETS]	REFERENCE F8B1	MATERIAL
			THIRD ANGLE PROJECTION	SIZE C	PROCESS/FINISH
				DRAWING NUMBER OL56100106-001	SHEET 1 OF 1