

4

3

2

1

GENERAL INFORMATION:

SHAFT RUNOUT: .001[.03] T.I.R. PER INCH LENGTH OF EXTENSION.

BEARINGS: BALL

MOUNTING POSITION: HORIZONTAL OR VERTICAL SHAFT UP

ELECTRICAL DATA:

OVERLOAD PROTECTOR: AUTOMATIC RESET (T.I. 7AM 036)

LEADS: NO. 18 GA, .06[1.5] THK., PVC 105 °C INSUL.

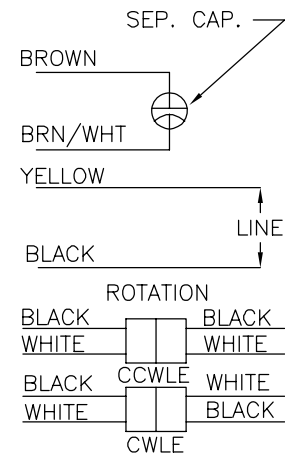
REVERSING LIADS: NO. 18 GA, .03[.8] THK., 125 °C INSUL.

GROUND LEAD: NO. 18 GA, .03[.8] THK., GREEN INSUL.

NAMEPLATE DATA:

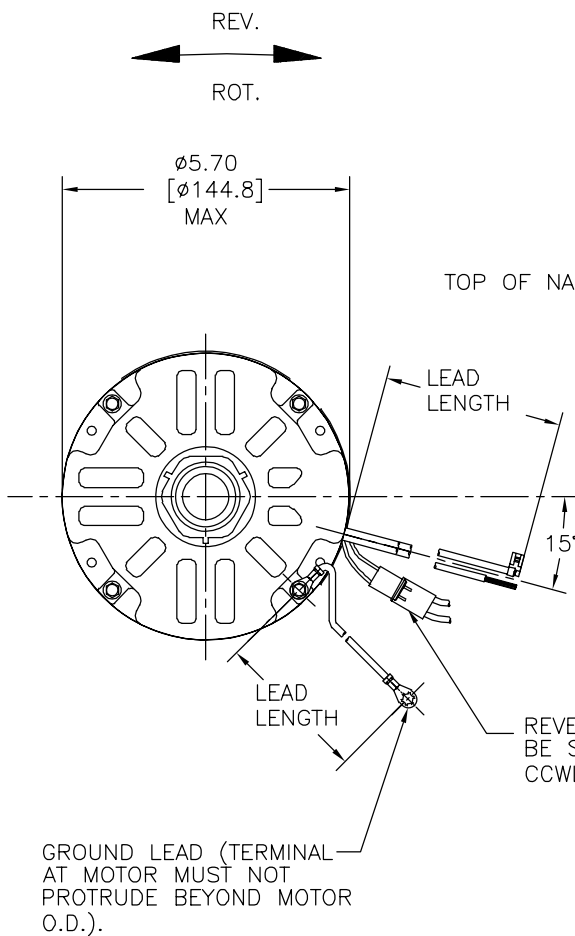
EXTERNAL CONNECTION DIAGRAM

MODEL NO.: F48K14A01
 CUST. P/N: F1106
 HP: 1
 ROT.: REVERSIBLE
 RPM: 1075
 TYPE: UF
 FRAME: 48Y
 VOLTS: 208-230
 PH: 1
 AMPS: 5.4
 HZ: 60
 INS.: B
 AMB.: 60° C
 DUTY: AIR OVER
 CAP.: 15 MFD/370 V
 ENCL: SEMI-ENCL.
 UL LOGO
 CSA LOGO
 THERMALLY PROTECTED



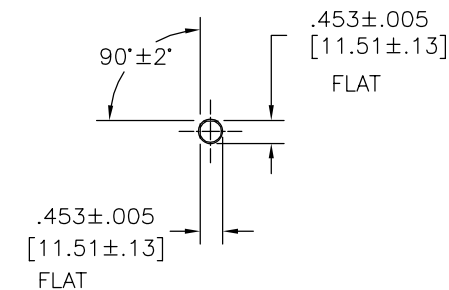
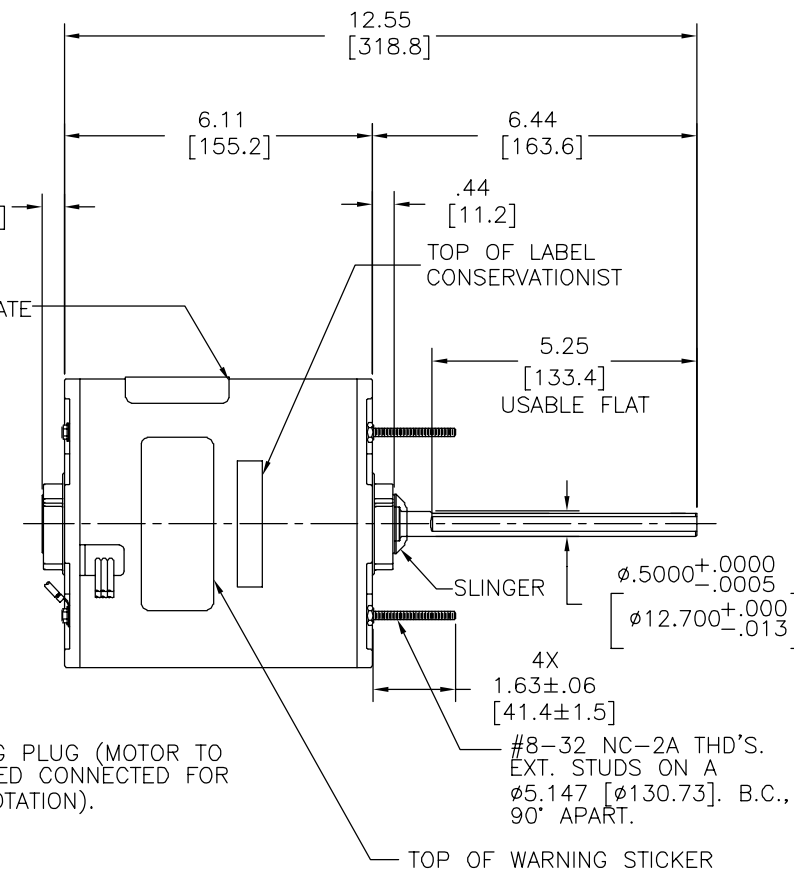
614131-115

PERFORMANCE CURVE NO.	TORQUE @ 1075 RPM (25°C)	APPROVED SAMPLE	UL COMPONENT		CSA	
			FILE #	CCN #	FILE #	CLASS #
C31540	90.0 OZ. FT.	97AC384A	E46412	PRGY2	LR43341	4211-01



GROUND LEAD (TERMINAL AT MOTOR MUST NOT PROTRUDE BEYOND MOTOR O.D.).

LEAD DATA		
COLOR	LENGTH	TERMINAL OR STRIP LENGTH
BLACK	28.0/26.0 [711/660]	.50[12.7] SKIN
YELLOW	28.0/26.0 [711/660]	.50[12.7] SKIN
BROWN	28.0/26.0 [711/660]	.25[6.4] FLAG
BROWN/WHITE	28.0/26.0 [711/660]	.25[6.4] FLAG
BLACK/WHITE	6.0/4.0 [152/101]	REVERSING PLUG
GREEN(GRD)	13.0/12.0 [330/305]	#10 EYELET



ENCLOSURE	
END FRAME - LE	OPEN
MAIN FRAME - LE	ENCLOSED
END FRAME - OLE	ENCLOSED
MAIN FRAME - OLE	ENCLOSED

CUSTOMER	DISTRIBUTION SERVICE

REGAL-BELOIT CORPORATION (RBC) PROVIDES TECHNICAL ASSISTANCE TO OUR CUSTOMERS IN SEVERAL AREAS. SINCE RBC DOES NOT RECEIVE ALL DATA CONCERNING THE USE AND APPLICATION OF THE MOTOR, THE SUITABILITY OF THE MOTOR FOR THE APPLICATION MUST BE DETERMINED BY THE CUSTOMER.

DIMENSIONS WITHOUT TOLERANCES ARE FOR REFERENCE ONLY.

DRAWING REVISION	REVISION BY	DATE
C	J. COX	11-20-2013
ECO	APPROVED BY	DATE
ECO-0041020	C. MCREYNOLDS	11-20-2013

COPYRIGHT REGAL-BELOIT AMERICA, INC. ALL RIGHTS RESERVED. PROPRIETARY AND CONFIDENTIAL INFORMATION - THIS DOCUMENT IS THE PROPERTY OF REGAL-BELOIT AMERICA, INC. (OWNER) AND CONTAINS OWNER'S PROPRIETARY INFORMATION. ANY PERSON, CORPORATION OR OTHER FIRM RECEIVING IT IS DEEMED, BY RECEIVING IT, TO AGREE THAT IT, AND/OR ANY PART OF IT, SHALL NOT BE DISCLOSED TO ANY PERSON, CORPORATION OR OTHER ENTITY, DUPLICATED, AND/OR USED, EXCEPT AS EXPRESSLY APPROVED IN WRITING IN ADVANCE BY OWNER. THIS DOCUMENT SHALL BE RETURNED TO OWNER UPON REQUEST. IT MAY BE SUBJECT TO CERTAIN RESTRICTIONS UNDER APPLICABLE EXPORT CONTROL LAWS AND REGULATIONS.

DRAWN BY: B. ZHAO
 DATE: 05-26-2011
 APPROVED BY: T. WANG
 DATE: 05-26-2011
 PROCESS/FINISH: -
 THIRD ANGLE PROJECTION

REGAL Regal Beloit America, Inc.	
DESCRIPTION	MODEL-RFHP-48FR OUTLINE
MATERIAL	-
SIZE DWG NO	F1106
SHEET	1

4

3

2

1