

4

3

2

1

GENERAL INFORMATION:

SHAFT RUNOUT: .001 [.025] T.I.R. PER INCH LENGTH OF EXTENSION

BEARINGS: BALL

MOUNTING POSITION: HORIZONTAL OR VERTICAL SHAFT UP

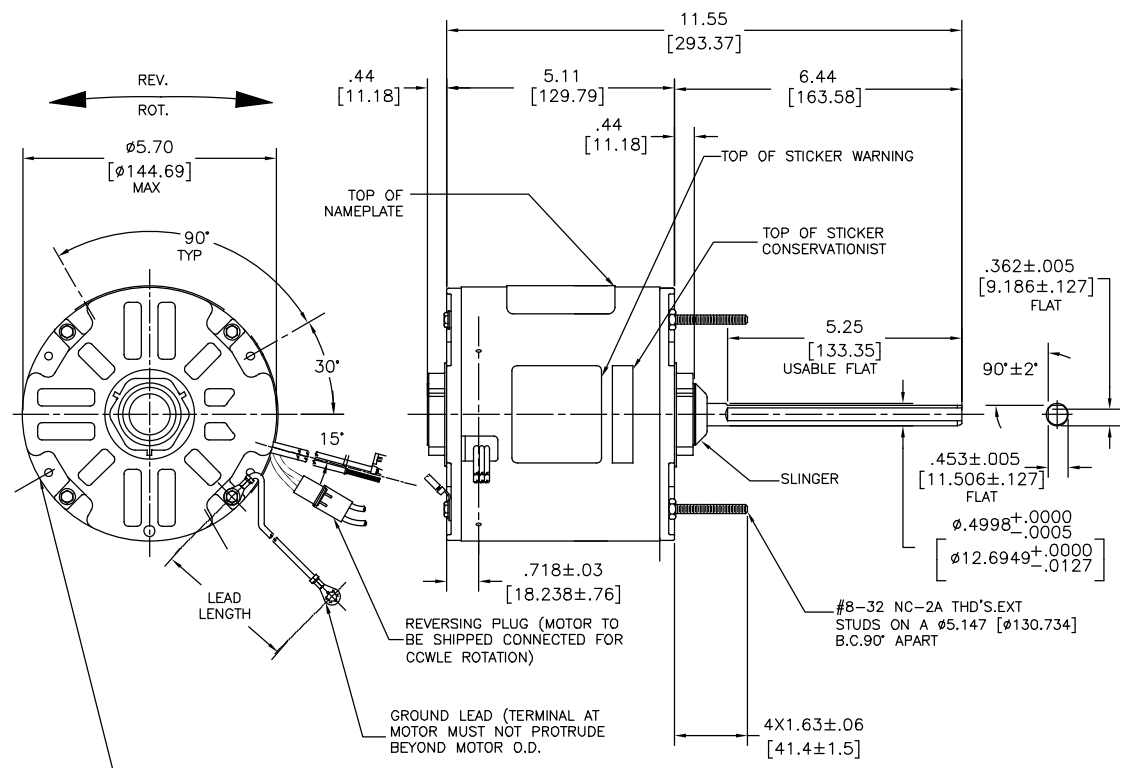
ELECTRICAL DATA:

OVERLOAD PROTECTOR: AUTOMATIC RESET (T.I. 7AM 036)

LINE LEADS: NO. 18 GA., .06 [1.52] THK. PVC 105°C INSUL.

REVERSING LEADS: NO. 18 GA., .03 [.76] THK. 125°C INSUL.

GROUND LEAD: NO. 18 GA., .03 [.76] THK. (GREEN) INSUL.



NAMEPLATE DATA:		EXTERNAL CONNECTION DIAGRAM	
MODEL NO.: F48J15A01	HP: 1/2		
ROT: REVERSIBLE	RPM: 1075	ROTATION BLACK BLACK WHITE WHITE CCWLE BLACK WHITE CWLE	
TYPE: UF	FRAME: 48Y	614131-115	
VOLTS: 208-230	PH: 1		
AMPS: 2.5 (3.6 MAX.)	HZ: 60		
INS: B	AMB: 60C		
DUTY: AIR OVER	CAP.: 10 MFD/370 V		
ENCL: SEMI-ENCL.	UL & CSA LOGO		
UL & CSA LOGO	THERMALLY PROTECTED		

GREEN (GROUND)	12.0/13.0 [304.8/330.2]	#10 EYELET
BLACK/WHITE	3.0/5.0 [76.2/127.0]	REVERSING PLUG
BROWN/WHITE	26.0/28.0 [660.4/711.2]	.25 [6.35] FLAG
BROWN	26.0/28.0 [660.4/711.2]	.25 [6.35] FLAG
YELLOW	26.0/28.0 [660.4/711.2]	.60 [15.24] SKIN
BLACK	26.0/28.0 [660.4/711.2]	.60 [15.24] SKIN
COLOR	LENGTH	TERMINAL OR STRIP LENGTH

REGAL-BELOIT CORPORATION (RBC) PROVIDES TECHNICAL ASSISTANCE TO OUR CUSTOMERS IN SEVERAL AREAS. SINCE RBC DOES NOT RECEIVE ALL DATA CONCERNING THE USE AND APPLICATION OF THE MOTOR, THE SUITABILITY OF THE MOTOR FOR THE APPLICATION MUST BE DETERMINED BY THE CUSTOMER.

DIMENSIONS WITHOUT TOLERANCES ARE FOR REFERENCE ONLY.

MAIN FRAME - OLE	ENCLOSED
END FRAME - OLE	ENCLOSED
MAIN FRAME - LE	ENCLOSED
END FRAME - LE	OPEN

PERFORMANCE CURVE NO.	TORQUE @ 1075 RPM (25°C)	APPROVED SAMPLE	UL COMPONENT	CSA
C30436	50.4 OZ. FT.	89AC309A	FILE # CCN # FILE # CLASS #	E46412 PRGY2 LR43341 4211-01

DRAWING REVISION	REVISION BY	DATE
ED	GELINE ZHAO	05-23-2019
ECO	APPROVED BY	DATE
ECO-0166568	KEYUN GONG	05-23-2019
ECO DESCRIPTION	SEE ECO	

EQUIPMENT REGAL-BELOIT AMERICA, INC. ALL RIGHTS RESERVED. PROPRIETARY AND CONFIDENTIAL INFORMATION - THIS DOCUMENT IS THE PROPERTY OF REGAL-BELOIT AMERICA, INC. (RBC) AND CONTAINS OWNERS PROPRIETARY INFORMATION. ANY PERSON, CORPORATION OR OTHER FIRM RECEIVING IT IS DEEMED BY RECEIVING IT TO AGREE THAT IT AND/OR ANY PART OF IT SHALL NOT BE DISCLOSED TO ANY PERSON, CORPORATION OR OTHER ENTITY, DUPLICATED, AND/OR USED, EXCEPT AS EXPRESSLY APPROVED IN WRITING BY OWNER. THIS DOCUMENT SHALL BE RETURNED TO OWNER UPON REQUEST. IT MAY BE SUBJECT TO CERTAIN RESTRICTIONS UNDER APPLICABLE EXPORT CONTROL LAWS AND REGULATIONS.

DRAWN BY: J. RUPERT	DATE: 05-29-1997	APPROVED BY: WVS	DATE: 05-29-1997
PROCESS/FINISH	THIRD ANGLE PROJECTION	SIZE DWG NO: C	SHEET 1

REGAL BELoit America, Inc.
 MODEL-RFHP-48FR
 OUTLINE
 F1056S

4

3

2

1