

GENERAL INFORMATION:

SHAFT RUNOUT: .001 [.025] T.I.R. PER INCH LENGTH OF EXTENSION

BEARINGS: BALL

MOUNTING POSITION: HORIZONTAL OR VERTICAL SHAFT UP

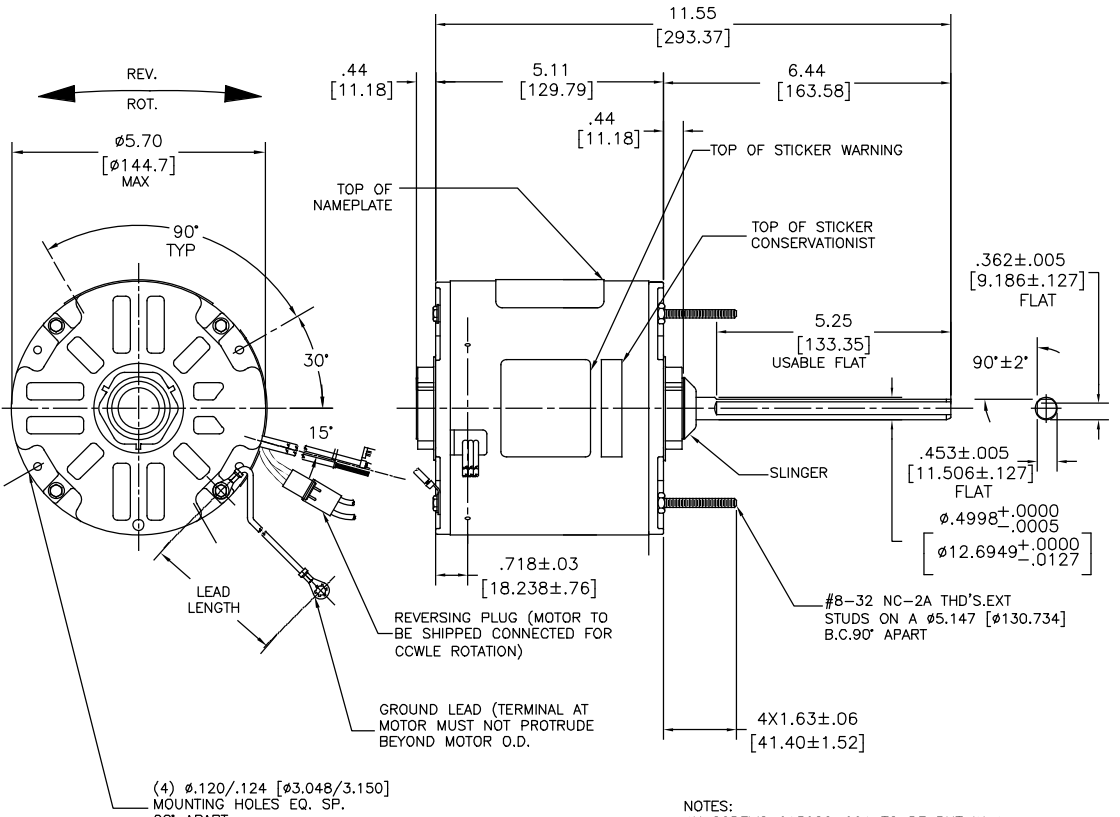
ELECTRICAL DATA:

OVERLOAD PROTECTOR: AUTOMATIC RESET (T.I. 7AM 036)

LINE LEADS: NO. 18 GA., .06 [1.52] THK. PVC 105°C INSUL.

REVERSING LEADS: NO. 18 GA., .03 [.76] THK. 125°C INSUL.

GROUND LEAD: NO. 18 GA., .03 [.76] THK. (GREEN) INSUL.



NAMEPLATE DATA:	EXTERNAL CONNECTION DIAGRAM
MODEL NO.: F48A03A01 CUST. NO.: F1036S HP: 1/3 ROT: REVERSIBLE RPM: 1075 TYPE: UF FRAME: 48Y VOLTS: 208-230 PH: 1 AMPS: 1.7 (2.6 MAX.) HZ: 60/50 INS: B AMB: 60°C DUTY: AIR OVER CAP.: 7.5 MFD/370 V ENCL: SEMI-ENCL. UL & CSA LOGO THERMALLY PROTECTED	
ROTATION BLACK COUNTERCLOCKWISE (CCWLE) WHITE COUNTERCLOCKWISE (CCWLE) BLACK COUNTERCLOCKWISE (CCWLE) WHITE COUNTERCLOCKWISE (CCWLE)	

PERFORMANCE CURVE NO.	TORQUE @ 1075 RPM (25°C)	APPROVED SAMPLE	UL COMPONENT	CSA
FILE #	CCN #	FILE #	CLASS #	
C30445	37.6 OZ. FT.	89AC308A	E46412 PRG2	LR43341 4211-01

COLOR	LENGTH	TERMINAL OR STRIP LENGTH
GREEN (GROUND)	12.0/13.0 [304.8/330.2]	#10 EYELET
BLACK/WHITE	3.0/5.0 [76.2/127.0]	REVERSING PLUG
BROWN/WHITE	26.0/28.0 [660.4/711.2]	.25 [6.35] FLAG
BROWN	28.0/28.0 [660.4/711.2]	.25 [6.35] FLAG
YELLOW	26.0/28.0 [660.4/711.2]	.60 [15.24] SKIN
BLACK	26.0/28.0 [660.4/711.2]	.60 [15.24] SKIN

REGAL-BELOIT CORPORATION (RBC) PROVIDES TECHNICAL ASSISTANCE TO OUR CUSTOMERS IN SEVERAL AREAS. SINCE RBC DOES NOT RECEIVE ALL DATA CONCERNING THE USE AND APPLICATION OF THE MOTOR, THE SUITABILITY OF THE MOTOR FOR THE APPLICATION MUST BE DETERMINED BY THE CUSTOMER.

DIMENSIONS WITHOUT TOLERANCES ARE FOR REFERENCE ONLY.

MAIN FRAME - OLE	ENCLOSED
END FRAME - OLE	ENCLOSED
MAIN FRAME - LE	ENCLOSED
END FRAME - LE	OPEN

CUSTOMER DISTRIBUTION SERVICE

DRAWING REVISION	REVISION BY	DATE
B	CELINE ZHAO	05-23-2019
ECD	APPROVED BY	DATE
ECO-0166568	KEYUN GONG	05-23-2019
ECO DESCRIPTION		
SEE ECO		

REGAL-BELOIT CORPORATION (RBC) PROVIDES TECHNICAL ASSISTANCE TO OUR CUSTOMERS IN SEVERAL AREAS. SINCE RBC DOES NOT RECEIVE ALL DATA CONCERNING THE USE AND APPLICATION OF THE MOTOR, THE SUITABILITY OF THE MOTOR FOR THE APPLICATION MUST BE DETERMINED BY THE CUSTOMER.

DRAWN BY: R. RHODUS DATE: 07-18-1994 APPROVED BY: DATE: 07-25-1994 PROCESS/FINISH:	DESCRIPTION: MODEL-RFHP-48FR OUTLINE MATERIAL: - SIZE DWG NO: F1036S SHEET: 1
--	--