

4

3

2

1

REV	ECO	REV BY	DATE	APPD	DATE
F	0024317	Y.LIU	03-12-2012	B.SHEN	03-12-2012

GENERAL INFORMATION:

SHAFT RUNOUT: .001[.03] T.I.R. PER INCH LENGTH OF EXTENSION.

BEARINGS: BALL

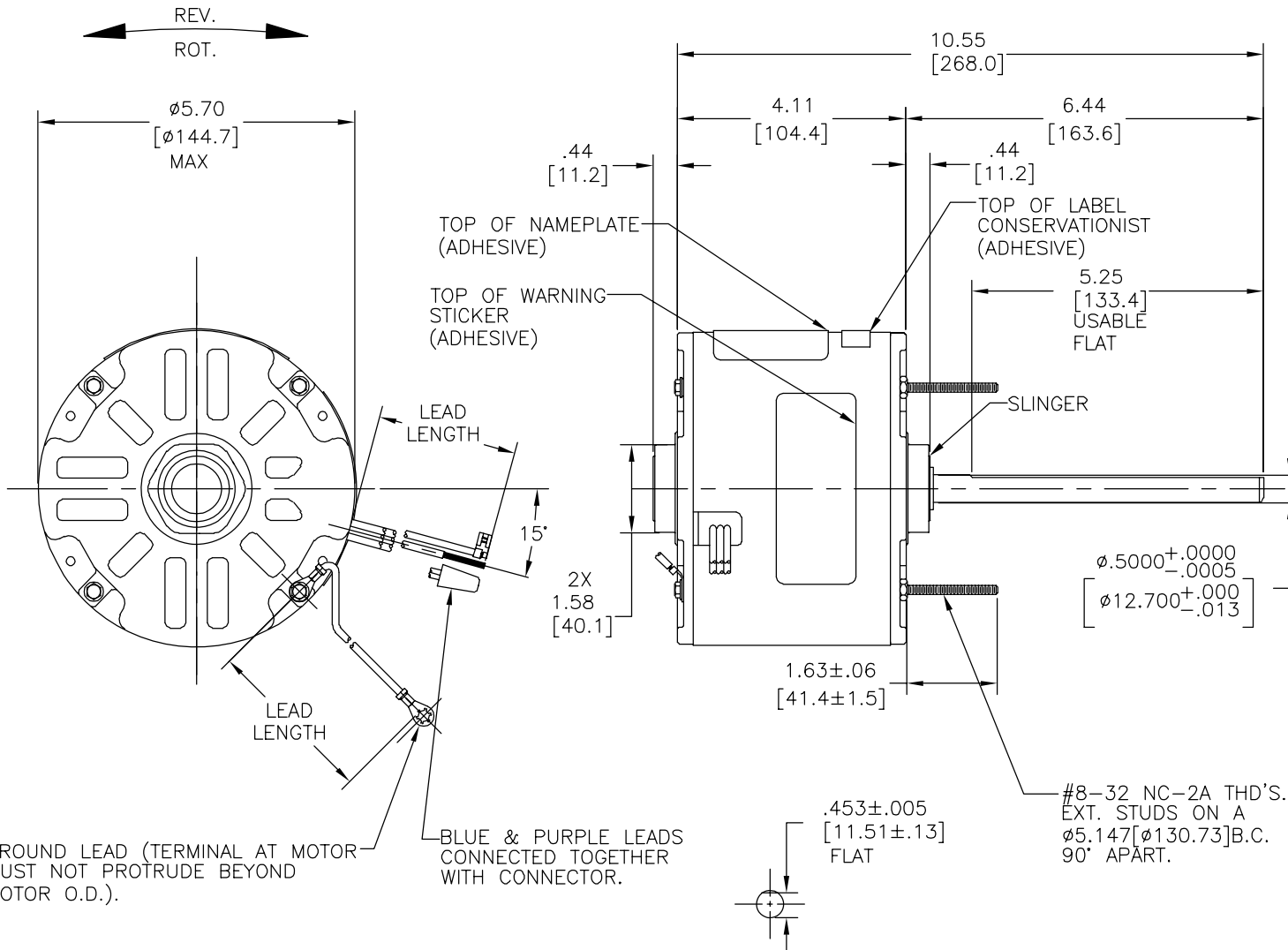
MOUNTING POSITION: HORIZONTAL

ELECTRICAL DATA:

OVERLOAD PROTECTOR: AUTOMATIC RESET (T.I. 7AM 036)

LEADS: NO. 18 GA., .06[1.5] THK. XLP 125°C INSUL.

GROUND LEAD: NO. 18 GA., .03[.8] THK., (GREEN) INSUL.



GROUND LEAD (TERMINAL AT MOTOR) MUST NOT PROTRUDE BEYOND MOTOR O.D.).

BLUE & PURPLE LEADS CONNECTED TOGETHER WITH CONNECTOR.

COLOR	LENGTH	TERMINAL OR STRIP LENGTH
GREEN (GRD)	12.0/13.0 [305/330]	#10 EYELET
BROWN	26.0/28.0 [660/711]	.25[6.4] FLAT
YELLOW	26.0/28.0 [660/711]	.75[19.1] SKIN
BLACK	26.0/28.0 [660/711]	.75[19.1] SKIN
RED	26.0/28.0 [660/711]	.75[19.1] SKIN
PURPLE	26.0/28.0 [660/711]	.75[19.1] SKIN
BLUE	26.0/28.0 [660/711]	.75[19.1] SKIN

MAIN FRAME - OLE	ENCLOSED
END FRAME - OLE	ENCLOSED
MAIN FRAME - LE	ENCLOSED
END FRAME - LE	OPEN

CUSTOMER	DISTRIBUTION SERVICE
----------	----------------------

NAMEPLATE DATA:	EXTERNAL CONNECTION DIAGRAM
MODEL NO.: F48SG6V5 CUST. P/N: F1026 HP: 1/4 ROT.: REVERSIBLE RPM: 1075/750 TYPE: UF FRAME: 48Y VOLTS: 208-230 PH: 1 AMPS: 1.4(2.0) MAX HZ: 60 INS.: B AMB.: 60° C DUTY: AIR OVER CAP.: ENCLOSED ENCL: 5MFD/370V UL LOGO CSA LOGO THERMALLY PROTECTED	

PERFORMANCE CURVE NO.	TORQUE @ 1075 RPM (25°C)	APPROVED SAMPLE	UL COMPONENT FILE #	CCN #	CSA FILE #	CLASS #
C22787	25.8 OZ. FT.	EX11127	E46412	PRGY2	LR43341	4211-01

GEOMETRIC CHARACTERISTICS & SYMBOLS
 □ FLATNESS
 — STRAIGHTNESS
 ∠ ANGULARITY
 ⊥ PERPENDICULARITY (SQUARENESS)
 ∥ PARALLELISM
 ○ ROUNDNESS (CIRCULARITY)
 ⌀ CYLINDRICITY
 △ PROFILE OF ANY SURFACE
 ∩ PROFILE OF ANY LINE
 ↗ RUNOUT
 ⊕ TRUE POSITION
 ⊙ CONCENTRICITY
 = SYMMETRY
 ASME Y14.5M 1994

REGAL-BELOIT CORPORATION (RBC) PROVIDES TECHNICAL ASSISTANCE TO OUR CUSTOMERS IN SEVERAL AREAS. SINCE RBC DOES NOT RECEIVE ALL DATA CONCERNING THE USE AND APPLICATION OF THE MOTOR, THE SUITABILITY OF THE MOTOR FOR THE APPLICATION MUST BE DETERMINED BY THE CUSTOMER.

DIMENSIONS WITHOUT TOLERANCES ARE FOR REFERENCE ONLY.

DR BY: Y.LIU 03-12-2012
 APPD: B.SHEN 03-12-2012
 THIRD ANGLE PROJECTION
 EDS DATE 11-11-2011
 FORMAT REV G
 CONFIDENTIAL: THIS DRAWING AND ITS INFORMATION ARE THE EXCLUSIVE AND CONFIDENTIAL PROPERTY OF REGAL-BELOIT CORPORATION AND ARE NOT TO BE DISCLOSED, DUPLICATED, DISTRIBUTED OR OTHERWISE USED WITHOUT THE WRITTEN CONSENT OF REGAL-BELOIT CORPORATION. -ALL RIGHTS RESERVED.

REGAL-BELOIT CORPORATION
 DESCRIPTION: MODEL-RFHP-48FR OUTLINE
 SIZE: C DWG NO: F1026
 SCALE: NONE SHEET 1

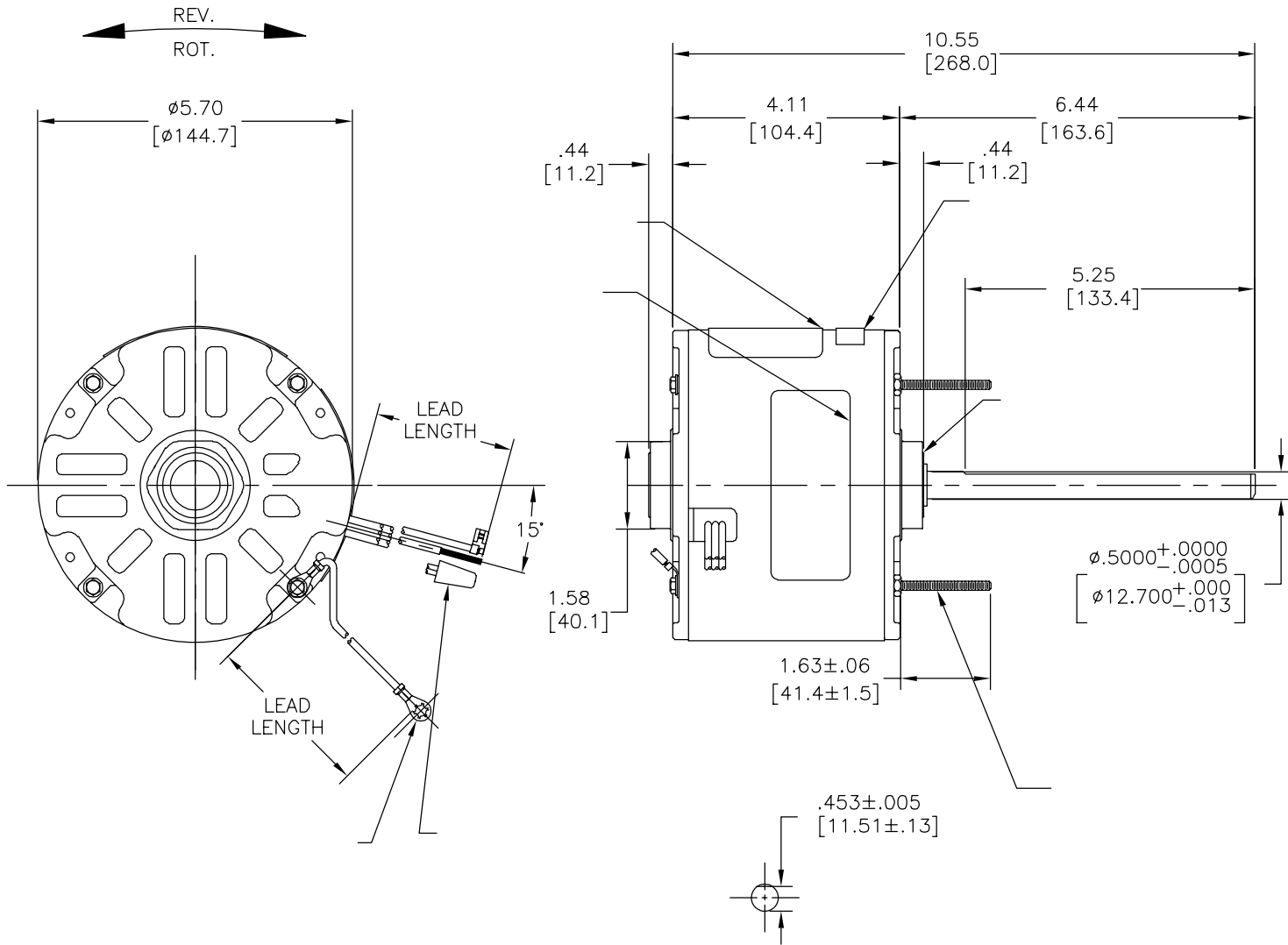
4

3

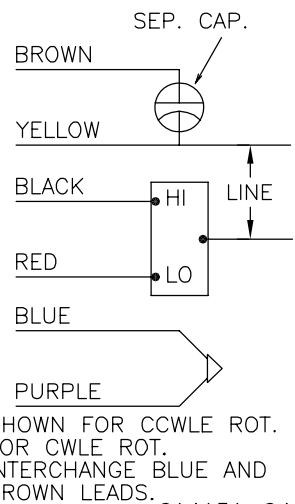
2

1

REVISION:	ECO	REVISADO POR:	FECHA:	APROBADO POR:	FECHA:
F	0024317	Y.LIU	03-12-2012	B.SHEN	03-12-2012



MODEL NO.: F48SG6V5
 CUST. P/N: F1026
 HP: 1/4
 ROT.: REVERSIBLE
 RPM: 1075/750
 TYPE: UF
 FRAME: 48Y
 VOLTS: 208-230
 PH: 1
 AMPS: 1.4(2.0) MAX
 HZ: 60
 INS.: B
 AMB.: 60° C
 DUTY: AIR OVER
 CAP.: ENCLOSED
 ENCL: 5MFD/370V
 UL LOGO
 CSA LOGO
 THERMALLY PROTECTED



614131-042

	12.0/13.0	
	[305/330]	
	26.0/28.0	
	[660/711]	
	26.0/28.0	
	[660/711]	
	26.0/28.0	
	[660/711]	
	26.0/28.0	
	[660/711]	
	26.0/28.0	
	[660/711]	
	26.0/28.0	
	[660/711]	

REGAL-BELOIT CORPORATION (RBC)
 PROVEE ASISTENCIA TECNICA A
 NUESTROS CLIENTES EN VARIAS AREAS.
 DESDE QUE RBC NO RECIBE TODOS
 LOS DATOS EN RELACION AL USO Y A
 LA APLICACION DEL MOTOR, LA
 APLICACION ADECUADA DEL MOTOR
 DEBE SER DETERMINADA POR EL
 CLIENTE.

DIMENSIONES SIN TOLERANCIA SON
 DE REFERENCIA SOLAMENTE

DIBUJADO POR:
 Y.LIU
 03-12-2012

APROBADO POR:
 B.SHEN
 03-12-2012

TERCER ANGULO
 DE PROYECCION

FECHA EDS: 11-11-2011
 REV. FORMATO: G

CONFIDENCIAL: ESTE DIBUJO Y SU INFORMACION
 SON PROPIEDAD DE USO EXCLUSIVO Y CONFIDENCIAL DE
 REGAL-BELOIT CORPORATION. Y NO DEBERAN SER REVELADOS,
 DUPLICADOS, DISTRIBUIDOS O USARSE DE OTRA MANERA
 SIN EL CONSENTIMIENTO ESCRITO DE REGAL-BELOIT
 CORPORATION. -TODOS LOS DERECHOS RESERVADOS.



DESCRIPCION:
 MODEL-RFHP-48FR
 OUTLINE

TAMAÑO: C NUMERO DE DIBUJO:
 F1026

ESCALA: NONE HOJA: 1

C22787 25.8 OZ. FT. EX11127 E46412 PRGY2 LR43341 4211-01

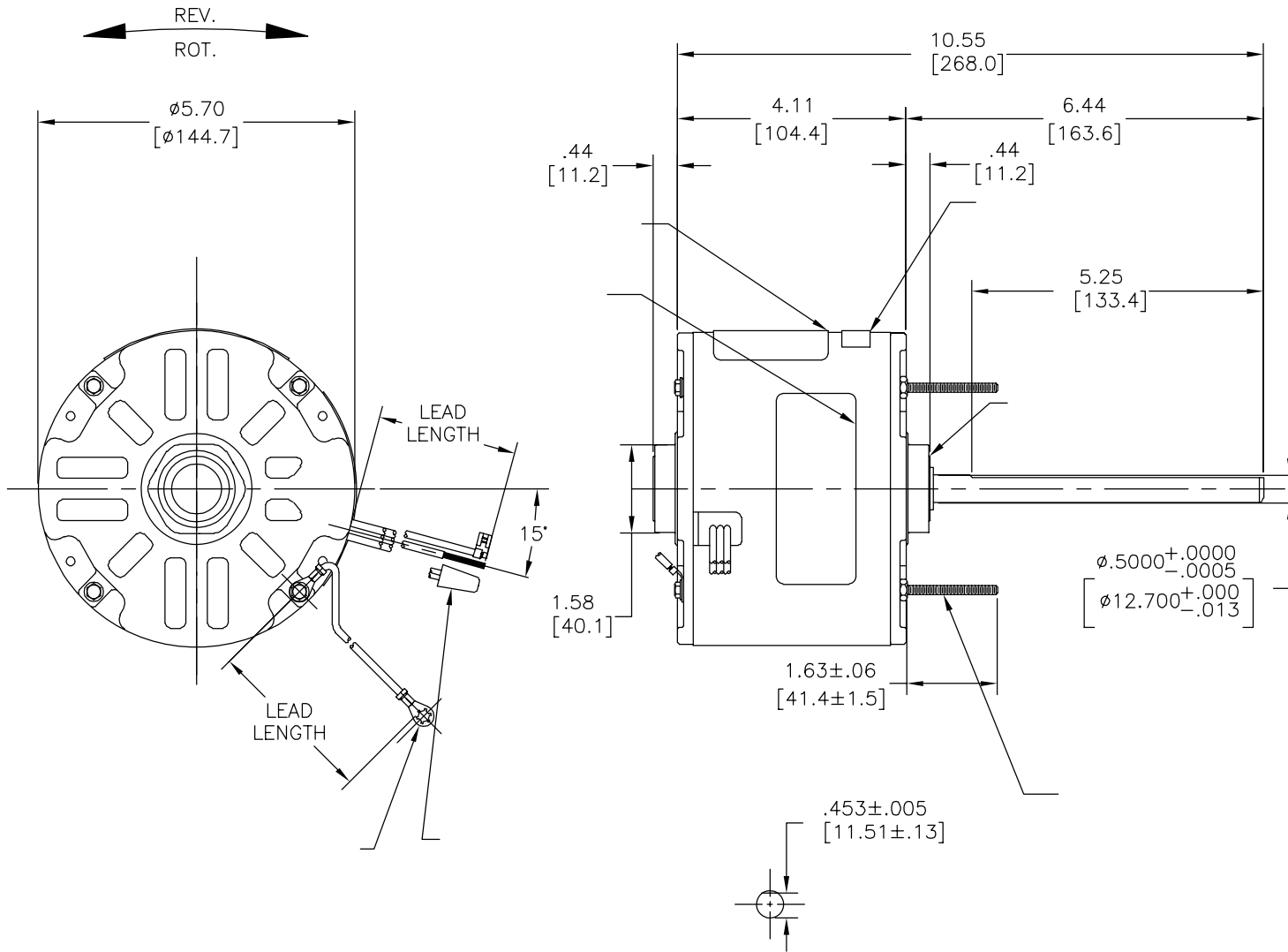
DISTRIBUTION
 SERVICE

CARACTERISTICAS DE GEOMETRIA Y SIMBOLOS

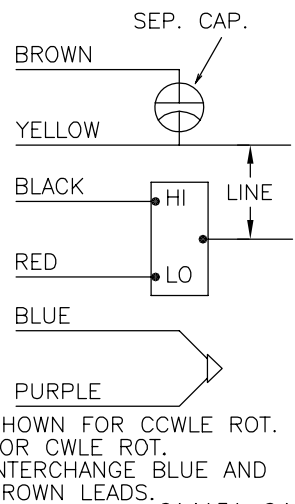
- PLANICIDAD
- RECTITUD
- ∠ ANGULARIDAD
- ⊥ PERPENDICULARIDAD (A ESCUADRA)
- // PARALELISMO
- REDONDEZ (CIRCULARIDAD)
- ⊘ CILINDRICIDAD
- △ PERFIL DE CUALQUIER SUPERFICIE
- ▽ PERFIL DE CUALQUIER LINEA
- ∧ VARIACION
- ⊕ POSICION REAL
- ⊙ CONCENTRICIDAD
- = SIMETRIA

ASME Y14.5M 1994

版本	ECO	编制	日期	批准	日期
F	0024317	Y.LIU	03-12-2012	B.SHEN	03-12-2012



MODEL NO.: F48SG6V5
 CUST. P/N: F1026
 HP: 1/4
 ROT.: REVERSIBLE
 RPM: 1075/750
 TYPE: UF
 FRAME: 48Y
 VOLTS: 208-230
 PH: 1
 AMPS: 1.4(2.0) MAX
 HZ: 60
 INS.: B
 AMB.: 60° C
 DUTY: AIR OVER
 CAP.: ENCLOSED
 ENCL: 5MFD/370V
 UL LOGO
 CSA LOGO
 THERMALLY PROTECTED



614131-042

	12.0/13.0	
	[305/330]	
	26.0/28.0	
	[660/711]	
	26.0/28.0	
	[660/711]	
	26.0/28.0	
	[660/711]	
	26.0/28.0	
	[660/711]	
	26.0/28.0	
	[660/711]	
	26.0/28.0	
	[660/711]	

DISTRIBUTION SERVICE

- 形位公差
- 平面度
- 直线度
- ∠ 倾斜度
- ⊥ 垂直度
- // 平行度
- 圆度
- ⊘ 圆柱度
- ⊙ 面轮廓度
- △ 线轮廓度
- ⤴ 圆跳动
- ⊕ 位置度
- ⊙ 同轴度
- ≡ 对称度

ASME Y14.5M 1994

REGAL-BELOIT CORPORATION (RBC) 在个别领域为客户提供技术支持。鉴于RBC未收到任何涉及电机使用和应用环境的数据，电机的适用性由客户自己决定。

未注公差尺寸仅供参考。

绘图: Y.LIU 03-12-2012

批准: B.SHEN 03-12-2012

第三角投影 图纸格式发布日期 11-11-2011 图纸格式版本 G

机密: 本图纸及相关信息所有权归REGAL-BELOIT CORPORATION。未经REGAL-BELOIT CORPORATION书面授权, 不得泄露、复制或作其他用途。—版权所有



名称: MODEL-RFHP-48FR OUTLINE

图幅: C 图号: F1026

比例: NONE 页号: 1