

GENERAL INFORMATION:

SHAFT RUNOUT: .001 [.025] T.I.R. PER INCH LENGTH OF EXTENSION

BEARINGS: BALL

MOUNTING POSITION: HORIZONTAL OR VERTICAL SHAFT UP

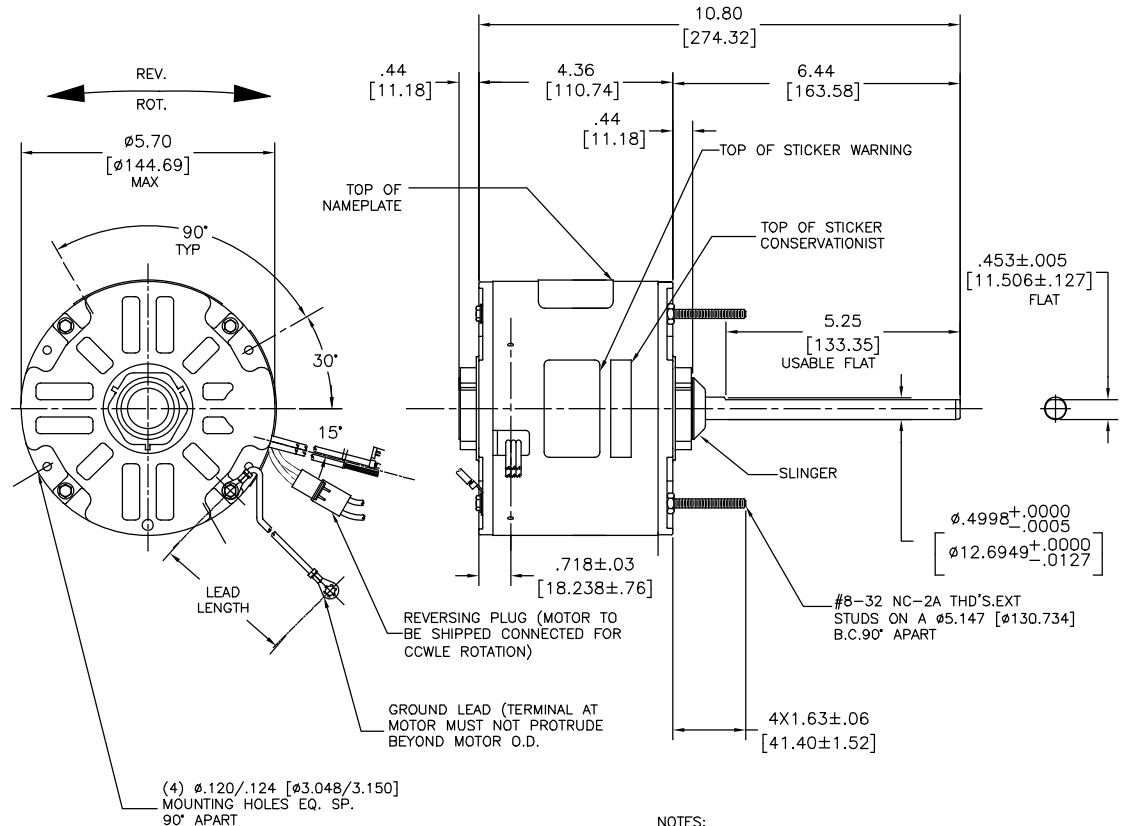
ELECTRICAL DATA:

OVERLOAD PROTECTOR: AUTOMATIC RESET (T.I. 7AM 036)

LINE LEADS: NO. 18 GA., .06 [1.52] THK. PVC 105°C INSUL.

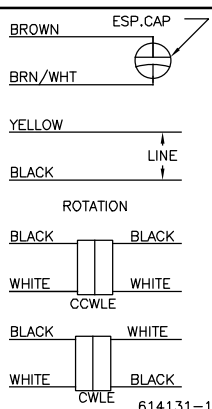
REVERSING LEADS: NO. 18 GA., .03 [.76] THK. 125°C INSUL.

GROUND LEAD: NO. 18 GA., .03 [.76] THK. (GREEN) INSUL.



NOTES:  
4X SCREWS 615982-001 TO BE PUT IN A POLYBAG.

NAMEPLATE DATA:	EXTERNAL CONNECTION DIAGRAM
MODEL NO.: F48A02A01	BROWN ESP.CAP
CUST. NO.: F1026S	BRN/WHT
HP: 1/4	
ROT: REVERSIBLE	
RPM: 1075	
TYPE: UF	
FRAME: 48Y	
VOLTS: 208-230	
PH: 1	
AMPS: 1.4 (2.0 MAX.)	
HZ: 60/50	
INS: B	
AMB: 60C	
DUTY: AIR OVER	
CAP.: 5 MFD/370 V	
ENCL: SEMI-ENCL.	
UL & CSA LOGO	
THERMALLY PROTECTED	



GREEN (GROUND)	12.0/13.0 [304.8/330.2]	#10 EYELET
BLACK/WHITE	3.0/5.0 [76.2/127.0]	REVERSING PLUG
BROWN/WHITE	26.0/28.0 [660.4/711.2]	.25 [6.35] FLAG
BROWN	26.0/28.0 [660.4/711.2]	.25 [6.35] FLAG
YELLOW	26.0/28.0 [660.4/711.2]	.60 [15.24] SKIN
BLACK	26.0/28.0 [660.4/711.2]	.60 [15.24] SKIN
COLOR	LENGTH	TERMINAL OR STRIP LENGTH

REGAL-BELOIT CORPORATION (RBC) PROVIDES TECHNICAL ASSISTANCE TO OUR CUSTOMERS IN SEVERAL AREAS. SINCE RBC DOES NOT RECEIVE ALL DATA CONCERNING THE USE AND APPLICATION OF THE MOTOR, THE SUITABILITY OF THE MOTOR FOR THE APPLICATION MUST BE DETERMINED BY THE CUSTOMER.

DIMENSIONS WITHOUT TOLERANCES ARE FOR REFERENCE ONLY.

MAIN FRAME - OLE	ENCLOSED
END FRAME - OLE	ENCLOSED
MAIN FRAME - LE	ENCLOSED
END FRAME - LE	OPEN

PERFORMANCE CURVE NO.	TORQUE @ 1075 RPM (25°C)	APPROVED SAMPLE	UL COMPONENT		CSA	
			FILE #	CCN #	FILE #	CLASS #
C30444	25.5 OZ. FT.	89AC307A	E46412	PRGY2	LR43341	4211-01

DRAWING REVISION	REVISION BY	DATE
B	GELINE ZHAO	05-23-2019
ECO	KEYUN GONG	05-23-2019
ECO DESCRIPTION SEE ECO		

REGAL-BELOIT CORPORATION (RBC) PROVIDES TECHNICAL ASSISTANCE TO OUR CUSTOMERS IN SEVERAL AREAS. SINCE RBC DOES NOT RECEIVE ALL DATA CONCERNING THE USE AND APPLICATION OF THE MOTOR, THE SUITABILITY OF THE MOTOR FOR THE APPLICATION MUST BE DETERMINED BY THE CUSTOMER.

ENCLOSURE		CUSTOMER		DISTRIBUTION SERVICE	
DRAWN BY: MCNAMEE	DATE: 03-18-1991	APPROVED BY: J.SOPK	DATE: 03-18-1991	MATERIAL:	SIZE DWG NO: C
REGAL-BELOIT CORPORATION (RBC) PROVIDES TECHNICAL ASSISTANCE TO OUR CUSTOMERS IN SEVERAL AREAS. SINCE RBC DOES NOT RECEIVE ALL DATA CONCERNING THE USE AND APPLICATION OF THE MOTOR, THE SUITABILITY OF THE MOTOR FOR THE APPLICATION MUST BE DETERMINED BY THE CUSTOMER.		REGAL-BELOIT CORPORATION (RBC) PROVIDES TECHNICAL ASSISTANCE TO OUR CUSTOMERS IN SEVERAL AREAS. SINCE RBC DOES NOT RECEIVE ALL DATA CONCERNING THE USE AND APPLICATION OF THE MOTOR, THE SUITABILITY OF THE MOTOR FOR THE APPLICATION MUST BE DETERMINED BY THE CUSTOMER.		MATERIAL: F1026S	
THIRD ANGLE PROJECTION		SHEET 1		MODEL-RFHP-48FR OUTLINE	