

4

3

2

1

REV	ECO	REV BY	DATE	APPD	DATE
B	0025544	I.MATA	04-26-2012	R.RASCON	04-26-2012

GENERAL INFORMATION:

SHAFT RUNOUT: .001[.03] T.I.R. PER INCH[mm] LENGTH OF EXTENSION.

BEARINGS: BALL

MOUNTING POSITION: VERTICAL SHAFT-UP

ELECTRICAL DATA:

OVERLOAD PROTECTOR: AUTOMATIC RESET (T.I. 7AM 036)

LEADS: NO. 18 GA., .06[1.5] THK. PVC 105°C INSUL.

REVERSING LEADS: NO. 18 GA., .03[.08] THK. CROSS-LINKED POLYETHYLENE 125°C INSUL.

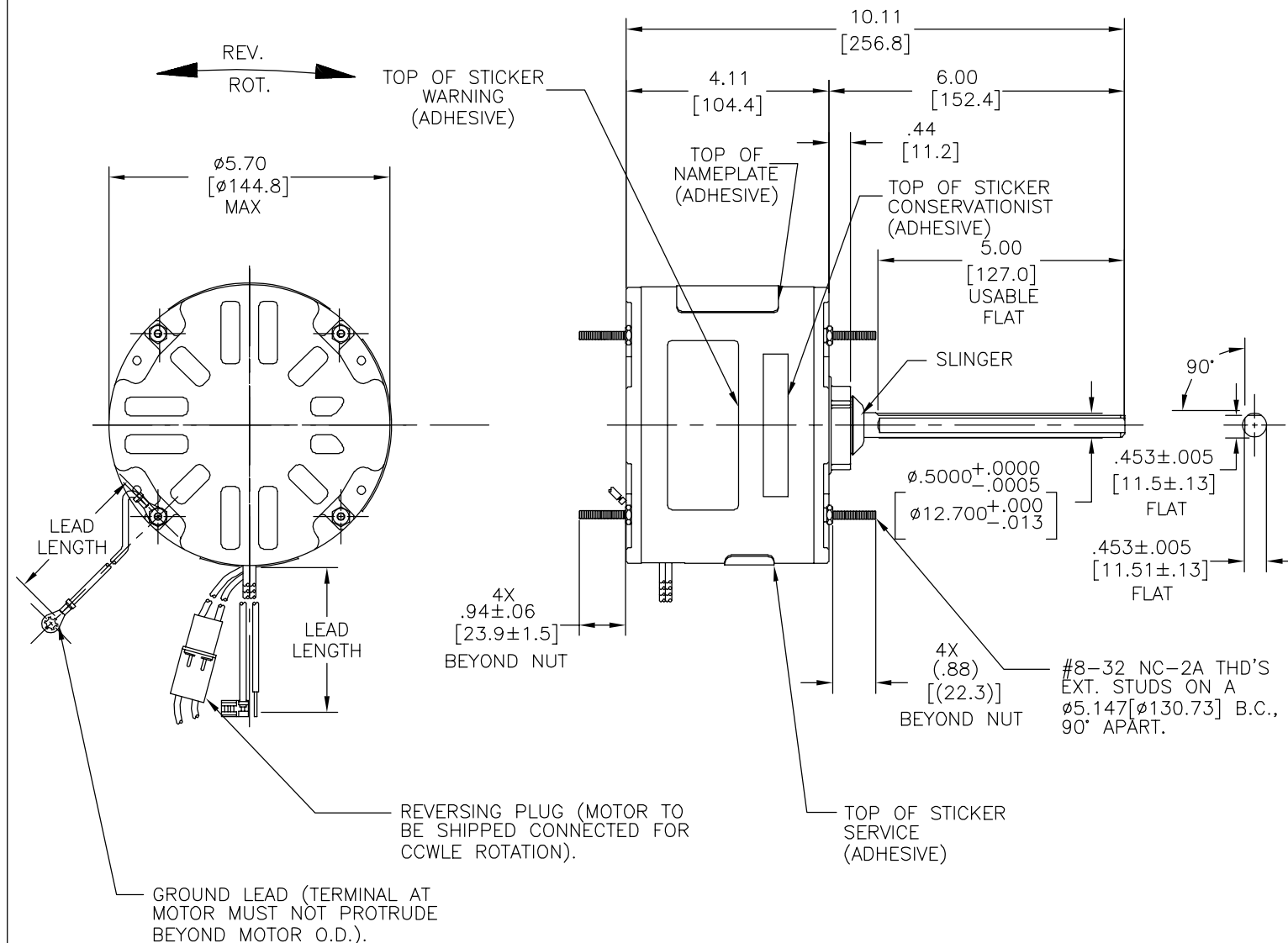
GROUND LEAD: NO. 18 GA., .03[.08] THK. (GREEN) INSUL.

NOTE:
1. DISTRIBUTION: CUST. P/N: F1018S
GRAINGER: CUST. P/N: 4MB67

SEE NOTE 1

NAMEPLATE DATA :	EXTERNAL CONNECTION DIAGRAM
MODEL NO.: F48U62A01 CUST. P/N: [] HP: 1/6 ROT: REVERSIBLE RPM: 825 TYPE: UF FRAME: 48Y VOLTS: 208-230 PH: 1 AMPS: 1.1 (1.6 MAX.) HZ: 60 INS: B AMB: 60 °C DUTY: AIR OVER CODE: - CAP.: 5 MFD/370V ENCL: SEMI-ENCL. CSA LOGO UL LOGO THERMALLY PROTECTED	<p>CONNECTION DIAGRAM</p> <p>614131-115</p>

PERFORMANCE CURVE NO.	TORQUE @ 825 RPM (25°C)	APPROVED SAMPLE	UL COMPONENT		CSA	
			FILE #	CNN #	FILE #	CLASS #
C30785	21.7 OZ. FT.	-----	E46412	PRGY2	LR43341	4211-01



COLOR	LENGTH	TERMINAL OR STRIP LENGTH
GREEN(GRD)	11.0/13.0 [279/330]	#10 EYELET
BLACK/WHITE	3.0/5.0 [76/127]	REVERSING PLUELAG
BROWN	26.0/28.0 [660/711]	.25[6.4] FLAG
BROWN/WHITE	26.0/28.0 [660/711]	.25[6.4] FLAG
YELLOW	26.0/28.0 [660/711]	.50[12.7] SKIN
BLACK	26.0/28.0 [660/711]	.50[12.7] SKIN

FR.	OLE	STATUS
MAIN FR.	-OLE	ENCLOSED
END FR.	-OLE	ENCLOSED
MAIN FR.	-LE	ENCLOSED
END FR.	-LE	OPEN

CUSTOMER	DISTRIBUTION SERVICES
----------	-----------------------

GEOMETRIC CHARACTERISTICS & SYMBOLS

- FLATNESS
- STRAIGHTNESS
- ∠ ANGULARITY
- ⊥ PERPENDICULARITY (SQUARENESS)
- // PARALLELISM
- ROUNDNESS (CIRCULARITY)
- ⊘ CYLINDRICITY
- △ PROFILE OF ANY SURFACE
- ∩ PROFILE OF ANY LINE
- ↗ RUNOUT
- ⊕ TRUE POSITION
- ◎ CONCENTRICITY
- ≡ SYMMETRY

ASME Y14.5M 1994

REGAL-BELOIT CORPORATION (RBC) PROVIDES TECHNICAL ASSISTANCE TO OUR CUSTOMERS IN SEVERAL AREAS. SINCE RBC DOES NOT RECEIVE ALL DATA CONCERNING THE USE AND APPLICATION OF THE MOTOR, THE SUITABILITY OF THE MOTOR FOR THE APPLICATION MUST BE DETERMINED BY THE CUSTOMER.

DIMENSIONS WITHOUT TOLERANCES ARE FOR REFERENCE ONLY.

DR BY: DZ 02-21-2011

APPD: DZ 02-21-2012

THIRD ANGLE PROJECTION

EDS DATE 11-11-2011
FORMAT REV G

CONFIDENTIAL: THIS DRAWING AND ITS INFORMATION ARE THE EXCLUSIVE AND CONFIDENTIAL PROPERTY OF REGAL-BELOIT CORPORATION AND ARE NOT TO BE DISCLOSED, DUPLICATED, DISTRIBUTED OR OTHERWISE USED WITHOUT THE WRITTEN CONSENT OF REGAL-BELOIT CORPORATION. -ALL RIGHTS RESERVED.

REGAL-BELOIT CORPORATION

DESCRIPTION: MODEL-RFHP-48FR OUTLINE

SIZE C DWG NO F48U62A01

SCALE NONE SHEET 1

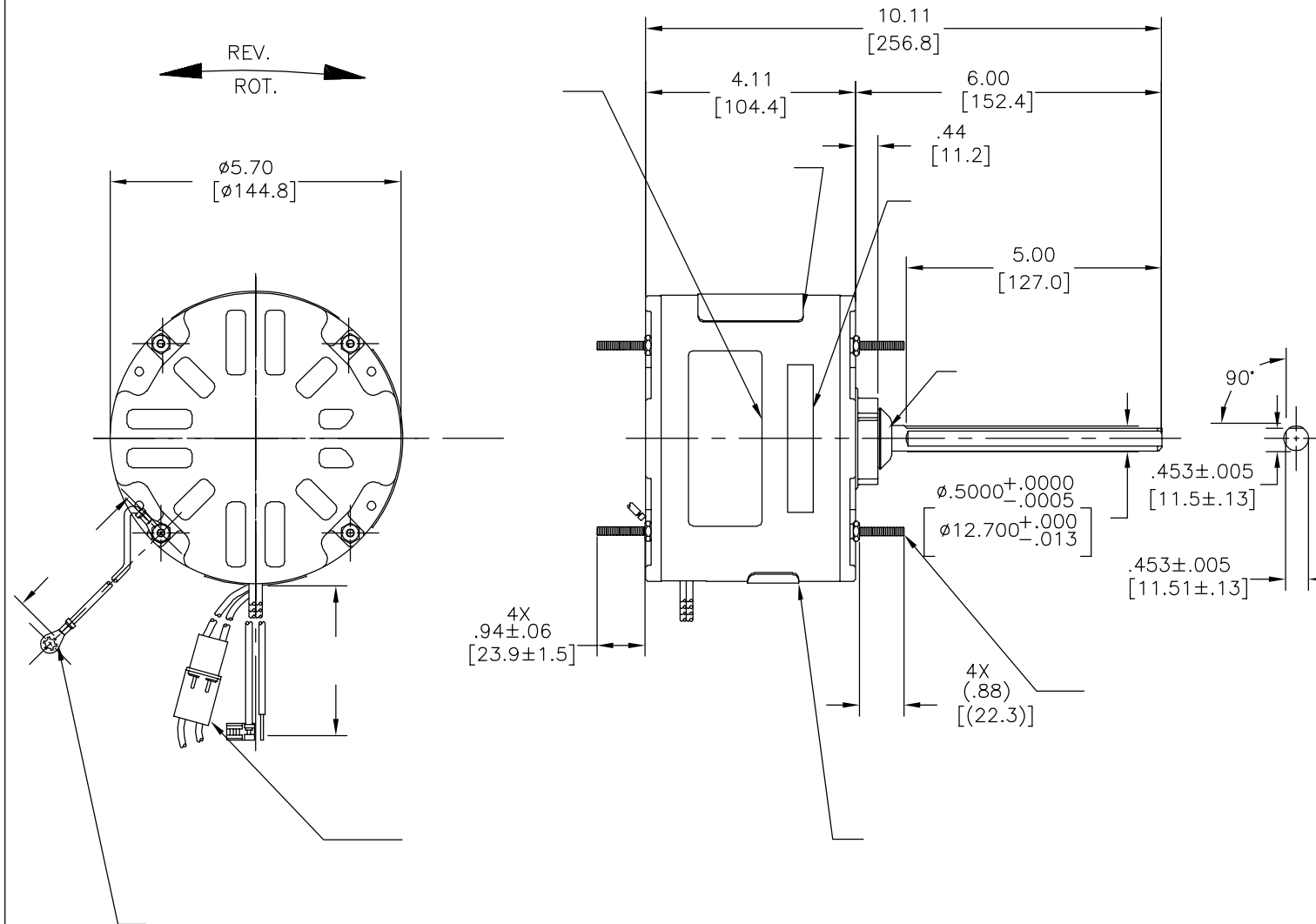
4

3

2

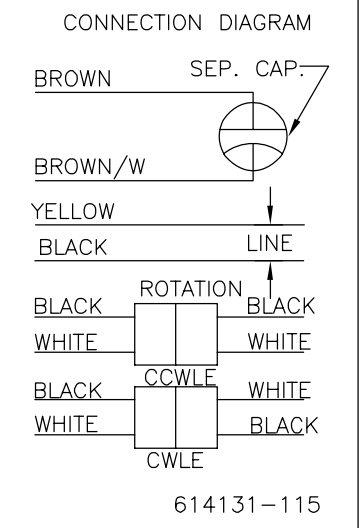
1

REVISION:	ECO	REVISADO POR:	FECHA:	APROBADO POR:	FECHA:
B	0025544	I.MATA	04-26-2012	R.RASCON	04-26-2012



SEE NOTE 1

MODEL NO.: F48U62A01
 CUST. P/N:
 HP: 1/6
 ROT: REVERSIBLE
 RPM: 825
 TYPE: UF
 FRAME: 48Y
 VOLTS: 208-230
 PH: 1
 AMPS: 1.1 (1.6 MAX.)
 HZ: 60
 INS: B
 AMB: 60 °C
 DUTY: AIR OVER
 CODE: -
 CAP.: 5 MFD/370V
 ENCL: SEMI-ENCL.
 CSA LOGO
 UL LOGO
 THERMALLY PROTECTED



	11.0/13.0 [279/330]	
	3.0/5.0 [76/127]	
	26.0/28.0 [660/711]	
	26.0/28.0 [660/711]	
	26.0/28.0 [660/711]	
	26.0/28.0 [660/711]	

DISTRIBUTION SERVICES

				CSA
C30785	21.7 OZ. FT.	-----	E46412	PRGY2 LR43341 4211-01

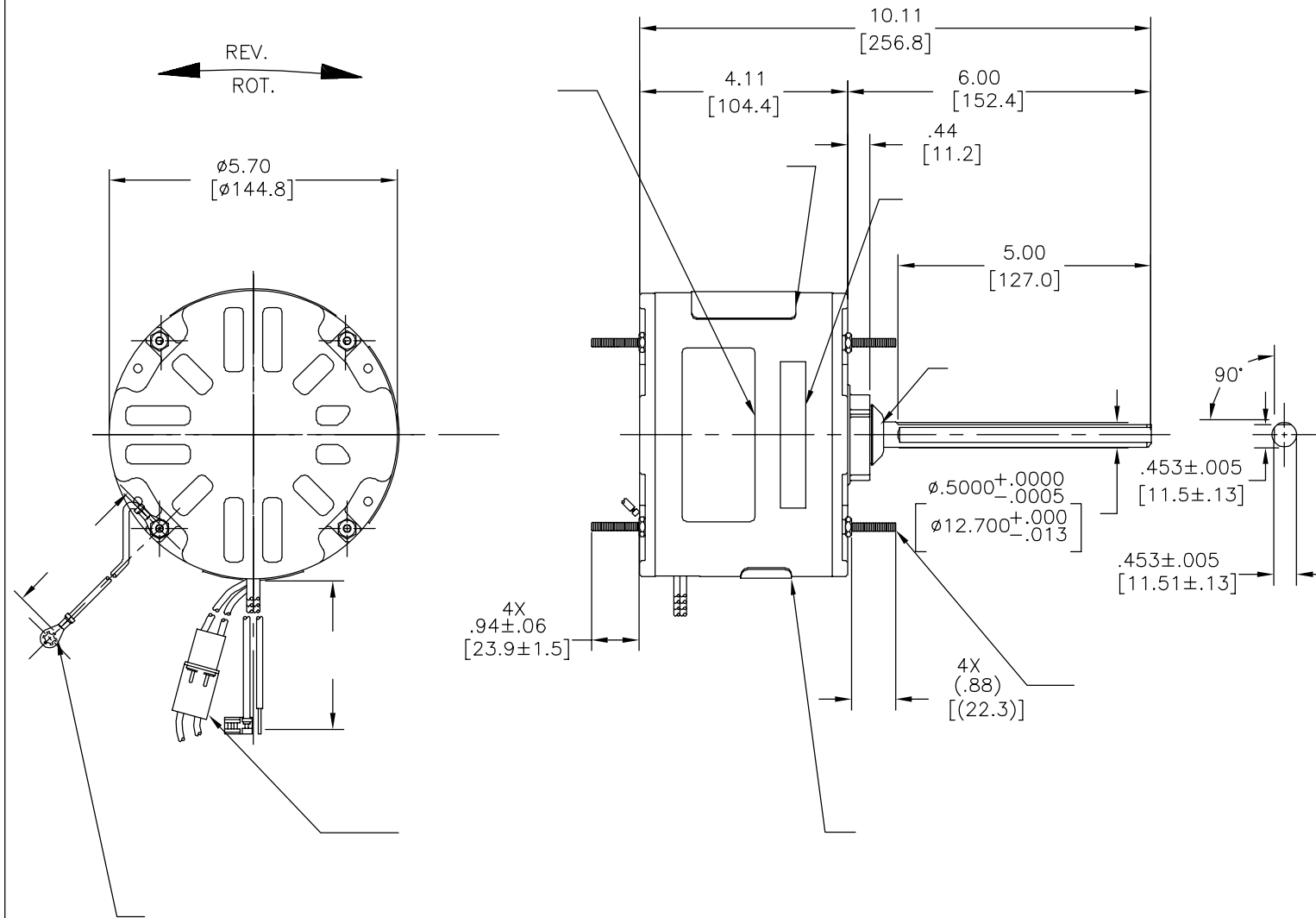
CARACTERISTICAS DE GEOMETRIA Y SIMBOLOS
 ▽ PLANICIDAD
 - RECTITUD
 < ANGULARIDAD
 ⊥ PERPENDICULARIDAD (A ESCUADRA)
 // PARALELISMO
 ○ REDONDEZ (CIRCULARIDAD)
 ∅ CILINDRICIDAD
 △ PERFIL DE CUALQUIER SUPERFICIE
 ▲ PERFIL DE CUALQUIER LINEA
 ↗ VARIACION
 ⊕ POSICION REAL
 ⊙ CONCENTRICIDAD
 = SIMETRIA
 ASME Y14.5M 1994

REGAL-BELOIT CORPORATION (RBC) PROVEE ASISTENCIA TECNICA A NUESTROS CLIENTES EN VARIAS AREAS. DESDE QUE RBC NO RECIBE TODOS LOS DATOS EN RELACION AL USO Y A LA APLICACION DEL MOTOR, LA APLICACION ADECUADA DEL MOTOR DEBE SER DETERMINADA POR EL CLIENTE.
 DIMENSIONES SIN TOLERANCIA SON DE REFERENCIA SOLAMENTE

DIBUJADO POR: DZ 02-21-2011
 APROBADO POR: DZ 02-21-2012
 TERCER ANGULO DE PROYECCION
 FECHA EDS: 11-11-2011
 REV. FORMATO: G
 CONFIDENCIAL: ESTE DIBUJO Y SU INFORMACION SON PROPIEDAD DE USO EXCLUSIVO Y CONFIDENCIAL DE REGAL-BELOIT CORPORATION. Y NO DEBERAN SER REVELADOS, DUPLICADOS, DISTRIBUIDOS O USARSE DE OTRA MANERA SIN EL CONSENTIMIENTO ESCRITO DE REGAL-BELOIT CORPORATION. -TODOS LOS DERECHOS RESERVADOS.

REGAL-BELOIT CORPORATION
 DESCRIPCION: MODEL-RFHP-48FR OUTLINE
 TAMAÑO: C NUMERO DE DIBUJO: F48U62A01
 ESCALA: NONE HOJA: 1

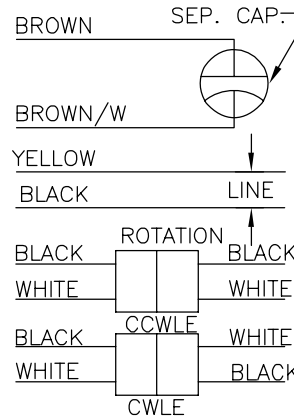
版本	ECO	编制	日期	批准	日期
B	0025544	I.MATA	04-26-2012	R.RASCON	04-26-2012



MODEL NO.: F48U62A01
 CUST. P/N:
 HP: 1/6
 ROT: REVERSIBLE
 RPM: 825
 TYPE: UF
 FRAME: 48Y
 VOLTS: 208-230
 PH: 1
 AMPS: 1.1 (1.6 MAX.)
 HZ: 60
 INS: B
 AMB: 60 °C
 DUTY: AIR OVER
 CODE: -
 CAP.: 5 MFD/370V
 ENCL: SEMI-ENCL.
 CSA LOGO
 UL LOGO
 THERMALLY PROTECTED

SEE NOTE 1

CONNECTION DIAGRAM



614131-115

	11.0/13.0	
	[279/330]	
	3.0/5.0	
	[76/127]	
	26.0/28.0	
	[660/711]	
	26.0/28.0	
	[660/711]	
	26.0/28.0	
	[660/711]	

DISTRIBUTION SERVICES

					CSA
C30785	21.7 OZ. FT.	-----	E46412	PRGY2	LR43341 4211-01

- 形位公差
- 平面度
- 直线度
- ∠ 倾斜度
- ⊥ 垂直度
- // 平行度
- 圆度
- ⊘ 圆柱度
- ⊖ 面轮廓度
- △ 线轮廓度
- ↗ 圆跳动
- ⊕ 位置度
- ⊙ 同轴度
- ≡ 对称度

ASME Y14.5M 1994

REGAL-BELOIT CORPORATION (RBC) 在个别领域为客户提供技术支持。鉴于 RBC 未收到任何涉及电机使用和应用环境的数据，电机的适用性由客户自己决定。

未注公差尺寸仅供参考。

绘图: DZ 02-21-2011
 批准: DZ 02-21-2012
 第三角投影
 机密: 本图纸及相关信息所有权归 REGAL-BELOIT CORPORATION 未经 REGAL-BELOIT CORPORATION 书面授权, 不得泄露、复制、传播或作其他用途。— 版权所有



MODEL-RFHP-48FR
 OUTLINE

名称: MODEL-RFHP-48FR
 图号: F48U62A01
 图幅: C
 比例: NONE
 页号: 1