

GENERAL INFORMATION:

SHAFT RUNOUT: .001 [.03] T.I.R. PER INCH LENGTH OF EXTENSION

BEARINGS: BALL

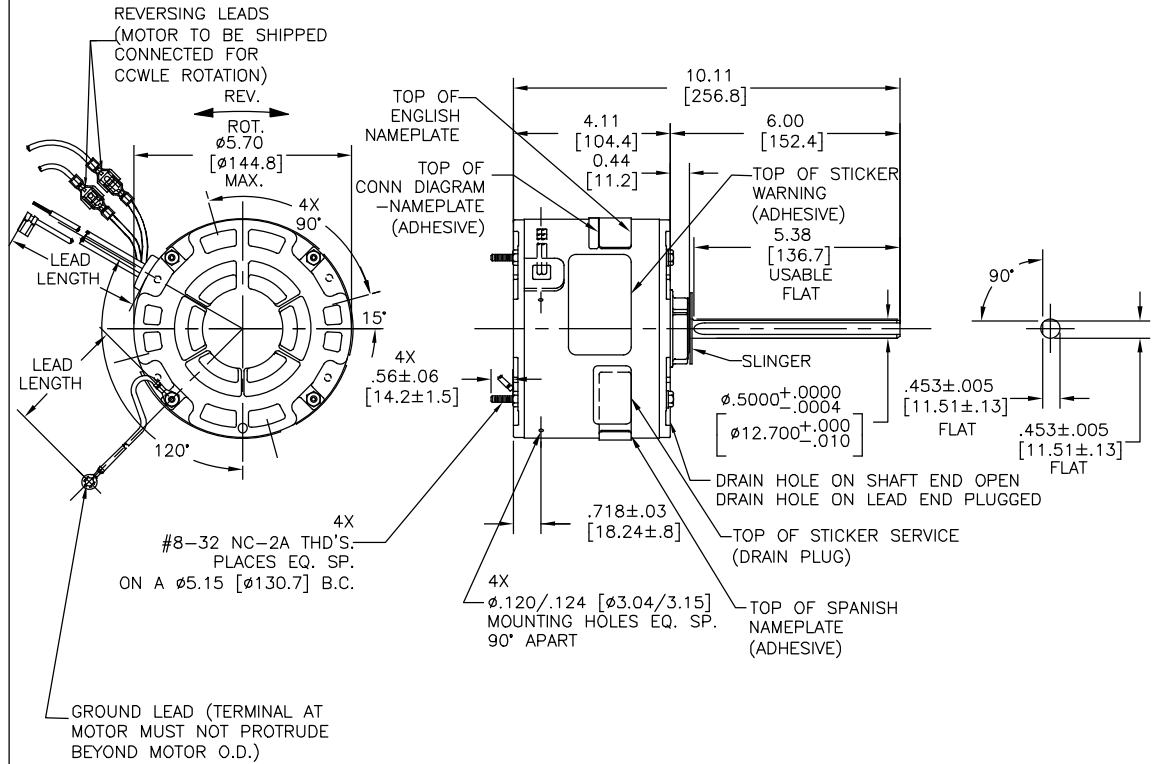
MOUNTING POSITION: ALL ANGLE

ELECTRICAL DATA:

OVERLOAD PROTECTOR: AUTOMATIC RESET (T.I. 7AM 036)

LEADS: NO. 18 GA., .03 [.8] THK., XLP 125°C INSUL.

GROUND LEAD: NO. 18 GA., .03 [.8] THK. (GREEN) INSUL.



NAMEPLATE DATA:		EXTERNAL CONNECTION DIAGRAM		
MODEL NO.: F48AF39A01 CUST. P/N: EM3728F HP: 1/4 ROT.: REVERSIBLE RPM: 1075 TYPE: UF FRAME: 48Y VOLTS: 208-230 PH: 1 AMPS: 1.8-2.0 HZ: 60 INS.: F AMB.: 70°C DUTY: AIR OVER CAP.: 5MFD/370V ENCL: ENCLOSED UL LOGO & FILE NO. CSA LOGO & FILE NO. THERMALLY PROTECTED TYPE T		SEP. CAP. BROWN BRN/WHT WHITE BLACK ROTATION AT LEAD END CCW PURPLE YELLOW PURPLE CW YELLOW PURPLE PURPLE		
PERFORMANCE CURVE NO.	TORQUE @1075 RPM (25°C)	APPROVED SAMPLE	UL COMPONENT	CSA
C32842	25.4 OZ. FT.	0603278B	FILE # CCN #	FILE # CLASS #
			E46412 PRGY2	LR43341 4211-01

GREEN (GROUND)	12.0/13.0 [305/330]	#10 EYELET
PURPLE (REV)	4.0/6.0 [102/152]	.25[6.4] PER-INSUL. MALE TAB
PURPLE (REV)	4.0/6.0 [102/152]	.25[6.4] PER-INSUL. FEMALE SPADE
YELLOW (REV)	4.0/6.0 [102/152]	.25[6.4] PER-INSUL. MALE TAB
YELLOW (REV)	4.0/6.0 [102/152]	.25[6.4] PER-INSUL. FEMALE SPADE
BROWN/WHITE	35.0/37.0 [889/940]	.25 [6.4] FLAG
BROWN	35.0/37.0 [889/940]	.25 [6.4] FLAG
WHITE	35.0/37.0 [889/940]	.50 [12.7] SKIN
BLACK	35.0/37.0 [889/940]	.50 [12.7] SKIN
COLOR	LENGTH	TERMINAL OR STRIP LENGTH

NOTES:
 4X SCREWS 615982-001 & 4X HEX NUTS 7555A19H01 TO BE PUT IN A POLYBAG.

REGAL-BELOIT CORPORATION (RBC) PROVIDES TECHNICAL ASSISTANCE TO OUR CUSTOMERS IN SEVERAL AREAS. SINCE RBC DOES NOT RECEIVE ALL DATA CONCERNING THE USE AND APPLICATION OF THE MOTOR, THE SUITABILITY OF THE MOTOR FOR THE APPLICATION MUST BE DETERMINED BY THE CUSTOMER.
 DIMENSIONS WITHOUT TOLERANCES ARE FOR REFERENCE ONLY.

MAIN FRAME - OLE	ENCLOSED
END FRAME - OLE	ENCLOSED
MAIN FRAME - LE	ENCLOSED
END FRAME - LE	ENCLOSED

CUSTOMER: EconoMaster

DRAWING REVISION		DATE	DRAWN BY:	
G	GEUNE ZHAO	05-24-2019	C2	
ECO	KEYUN GONG	05-24-2019	DATE:	12-21-2012
ECO DESCRIPTION	SEE ECO		APPROVED BY:	
PROPRIETARY AND CONFIDENTIAL INFORMATION - THIS DOCUMENT IS THE PROPERTY OF REGAL-BELOIT AMERICA, INC. (RBC) AND CONTAINS OWNERS PROPRIETARY INFORMATION. ANY PERSON, CORPORATION OR OTHER FIRM RECEIVING IT IS DEEMED BY RECEIVING IT TO AGREE THAT IT AND/OR ANY PART OF IT, SHALL NOT BE DISCLOSED TO ANY PERSON, CORPORATION OR OTHER ENTITY, DUPLICATED, AND/OR USED, EXCEPT AS DIRECTLY APPROVED IN WRITING BY AGENCY BY OWNER. THIS DOCUMENT SHALL BE RETURNED TO OWNER UPON REQUEST. IF ANY RE SUBJECT TO CERTAIN RESTRICTIONS UNDER APPLICABLE EXPORT CONTROL LAWS AND REGULATIONS.			DATE:	12-21-2012
			PROCESS/FINISH	
			THIRD ANGLE PROJECTION	
REGAL-BELOIT America, Inc. MODEL-RFHP-48FR OUTLINE		SIZE DWG NO	C	EM3728F
			SHEET	1