

GENERAL INFORMATION:

SHAFT RUNOUT: .001 [.025] T.I.R. PER INCH LENGTH OF EXTENSION

BEARINGS: BALL

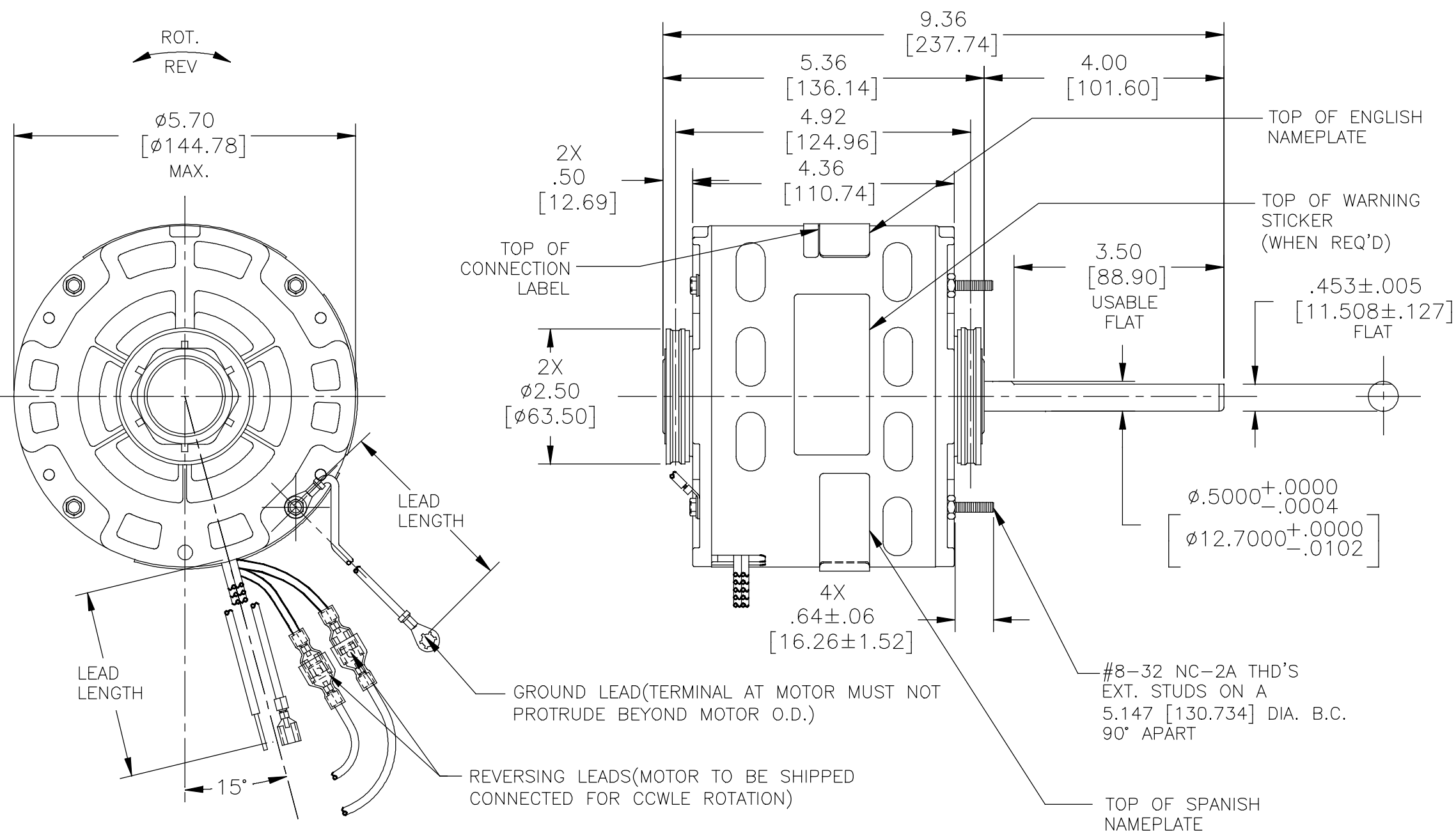
MOUNTING POSITION: HORIZONTAL

ELECTRICAL DATA:

OVERLOAD PROTECTOR: AUTOMATIC RESET (T.I. 7AM 036)

LEADS: NO. 18 GA., .03 [.76] THK.,XLP 125°C INSUL.

GROUND LEADS: NO. 18 GA., .03 [.76] THK.,(GREEN)INSUL.



NAMEPLATE DATA:	EXTERNAL CONNECTION DIAGRAM
MODEL: F48AJ90A01 CUST. P/N: EM3585 HP: 1/3 ROT: REVERSIBLE RPM: 1075/3 SPD TYPE: UF FRAME: 48Y VOLTS: 115V PH: 1 AMPS: 5.5-3.0-2.0 HZ: 60 INS: B AMB: 40 °C DUTY: AIR OVER CODE: - CAP.: 7.5MFD/370V ENCL: OPEN UL LOGO & FILE NO. CSA LOGO & FILE NO. THERMALLY PROTECTED	

COLOR	LENGTH	TERMINAL OR STRIP LENGTH
GREEN (GRD)	9/11 [229/279]	#10 EYELET
PURPLE (REV)	4/6 [102/152]	.25[6.35] PER-INSUL. MALE TAB
PURPLE (REV)	4/6 [102/152]	.25[6.35] PER-INSUL. FEMALE SPADE
YELLOW (REV)	4/6 [102/152]	.25[6.35] PER-INSUL. MALE TAB
YELLOW (REV)	4/6 [102/152]	.25[6.35] PER-INSUL. FEMALE SPADE
BROWN	25/27 [635/686]	.25[6.35] FEMALE SPADE
BROWN/WHITE	25/27 [635/686]	.25[6.35] FEMALE SPADE
WHITE	25/27 [635/686]	.60[15.24] SKIN
BLACK	25/27 [635/686]	.60[15.24] SKIN
BLUE	25/27 [635/686]	.60[15.24] SKIN
RED	25/27 [635/686]	.60[15.24] SKIN

REGAL-BELOIT CORPORATION (RBC) PROVIDES TECHNICAL ASSISTANCE TO OUR CUSTOMERS IN SEVERAL AREAS. SINCE RBC DOES NOT RECEIVE ALL DATA CONCERNING THE USE AND APPLICATION OF THE MOTOR, THE SUITABILITY OF THE MOTOR FOR THE APPLICATION MUST BE DETERMINED BY THE CUSTOMER.

DIMENSIONS WITHOUT TOLERANCES ARE FOR REFERENCE ONLY.

MAIN FRAME - OLE	OPEN
END FRAME - OLE	OPEN
MAIN FRAME - LE	OPEN
END FRAME - LE	OPEN

PERFORMANCE CURVE NO.	TORQUE @ 1075 RPM (25°C)	APPROVED SAMPLE	UL COMPONENT		CSA	
			FILE #	CCN #	FILE #	CLASS #
C0001014	32.5 OZ. FT.	OER-0010246B	E46412	PRGY2	LR43341	4211-01

DRAWING REVISION	REVISION BY	DATE
D	HANNA.ZOU	04-29-2019
ECO	KEYUN.GONG	04-29-2019

ECO DESCRIPTION: SEE ECO

COPYRIGHT REGAL-BELOIT AMERICA, INC. ALL RIGHTS RESERVED. PROPRIETARY AND CONFIDENTIAL INFORMATION - THIS DOCUMENT IS THE PROPERTY OF REGAL-BELOIT AMERICA, INC. (OWNER) AND CONTAINS OWNER'S PROPRIETARY INFORMATION. ANY PERSON, CORPORATION OR OTHER FIRM RECEIVING IT IS DEEMED, BY RECEIVING IT, TO AGREE THAT IT, AND/OR ANY PART OF IT, SHALL NOT BE DISCLOSED TO ANY PERSON, CORPORATION OR OTHER ENTITY, DUPLICATED, AND/OR USED, EXCEPT AS EXPRESSLY APPROVED IN WRITING IN ADVANCE BY OWNER. THIS DOCUMENT SHALL BE RETURNED TO OWNER UPON REQUEST. IT MAY BE SUBJECT TO CERTAIN RESTRICTIONS UNDER APPLICABLE EXPORT CONTROL LAWS AND REGULATIONS.

ENCLOSURE	CUSTOMER	EconoMaster
DRAWN BY: GELINE.ZHAO	REGAL™ Regal Beloit America, Inc.	
DATE: 01-17-2018	DESCRIPTION: MODEL-RFHP-48FR OUTLINE	
APPROVED BY: CADDIE.ZHOU	MATERIAL	PROCESS/FINISH
DATE: 01-17-2018		
REFERENCE	SIZE DWG NO	SHEET
THIRD ANGLE PROJECTION	C	EM3585 1