

GENERAL INFORMATION:

SHAFT RUNOUT: .001 [.025] T.I.R. PER INCH LENGTH OF EXTENSION

BEARINGS: BALL

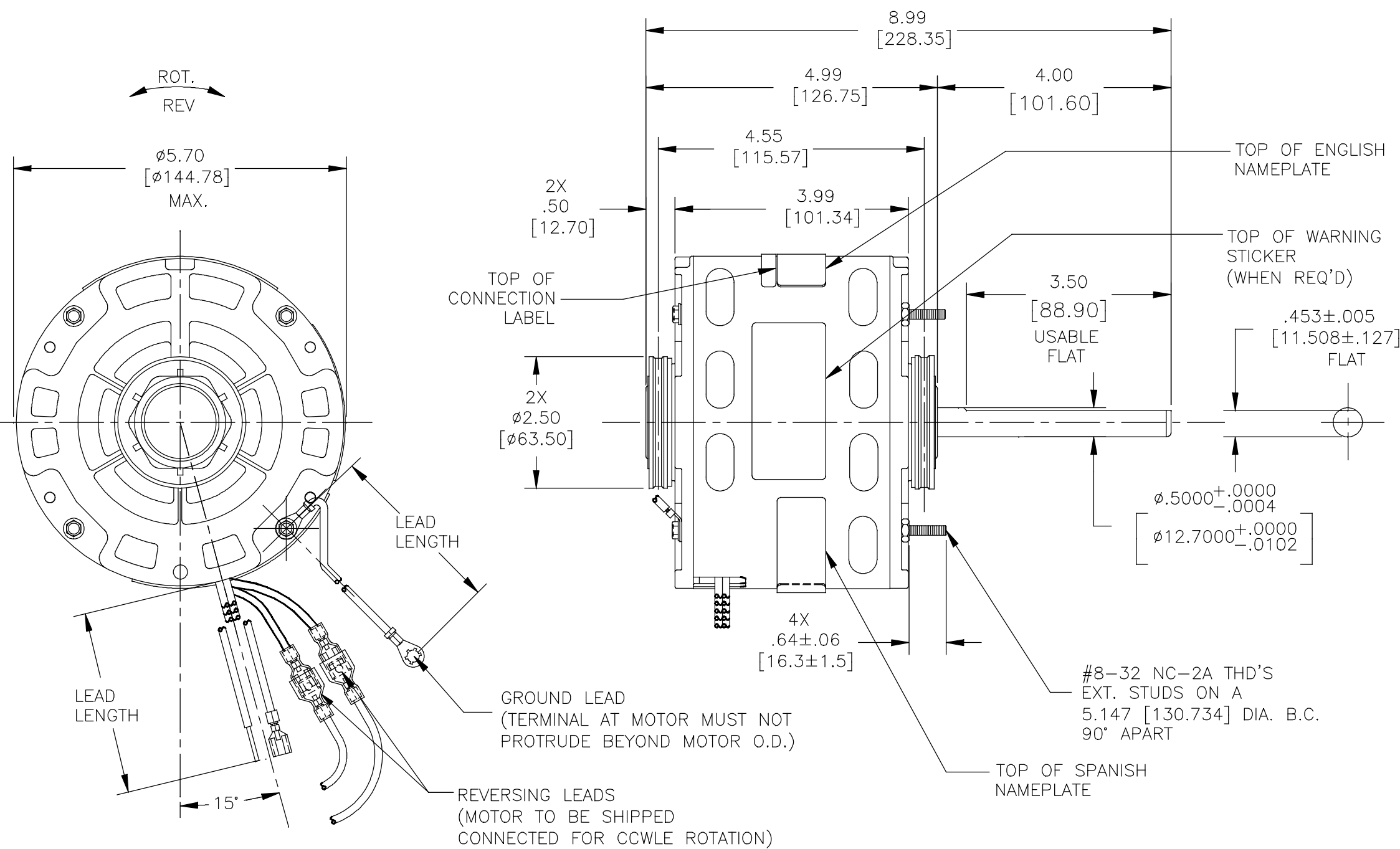
MOUNTING POSITION: HORIZONTAL

ELECTRICAL DATA:

OVERLOAD PROTECTOR: AUTOMATIC RESET (T.I. 7AM 036)

LEADS: NO. 18 GA., .03 [.76] THK.,XLP 125°C INSUL.

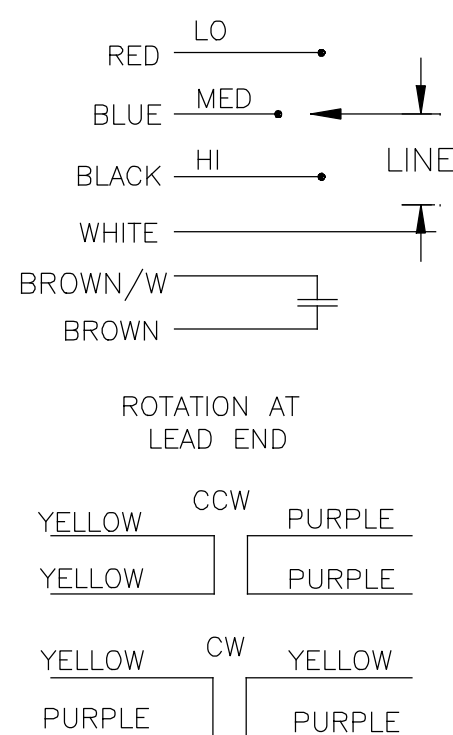
GROUND LEADS: NO. 18 GA., .03 [.76] THK.,(GREEN)INSUL.



NAMEPLATE DATA:

MODEL: F48AH55A01
 CUST. P/N: EM3584
 HP: 1/4
 ROT: REVERSIBLE
 RPM: 1075/3 SPD
 TYPE: UF
 FRAME: 48Y
 VOLTS: 208-230
 PH: 1
 AMPS: 1.9-1.1-0.9
 HZ: 60
 INS: B
 AMB: 40°C
 DUTY: AIR OVER
 CODE: -
 CAP.: 5MFD/370V
 ENCL: OPEN
 UL LOGO & FILE NO.
 CSA LOGO & FILE NO.
 THERMALLY PROTECTED

EXTERNAL CONNECTION DIAGRAM



GREEN (GRD)	9/11 [229/279]	#10 EYELET
PURPLE (REV)	4/6 [102/152]	.25[6.35] PER-INSUL. MALE TAB
PURPLE (REV)	4/6 [102/152]	.25[6.35] PER-INSUL. FEMALE SPADE
YELLOW (REV)	4/6 [102/152]	.25[6.35] PER-INSUL. MALE TAB
YELLOW (REV)	4/6 [102/152]	.25[6.35] PER-INSUL. FEMALE SPADE
BROWN	25/27 [635/686]	.25[6.35] FEMALE SPADE
BROWN/WHITE	25/27 [635/686]	.25[6.35] FEMALE SPADE
WHITE	25/27 [635/686]	.60[15.24] SKIN
BLACK	25/27 [635/686]	.60[15.24] SKIN
BLUE	25/27 [635/686]	.60[15.24] SKIN
RED	25/27 [635/686]	.60[15.24] SKIN
COLOR	LENGTH	TERMINAL OR STRIP LENGTH

REGAL-BELOIT CORPORATION (RBC) PROVIDES TECHNICAL ASSISTANCE TO OUR CUSTOMERS IN SEVERAL AREAS. SINCE RBC DOES NOT RECEIVE ALL DATA CONCERNING THE USE AND APPLICATION OF THE MOTOR, THE SUITABILITY OF THE MOTOR FOR THE APPLICATION MUST BE DETERMINED BY THE CUSTOMER.

DIMENSIONS WITHOUT TOLERANCES ARE FOR REFERENCE ONLY.

MAIN FRAME - OLE	OPEN
END FRAME - OLE	OPEN
MAIN FRAME - LE	OPEN
END FRAME - LE	OPEN

CUSTOMER EconoMaster

PERFORMANCE CURVE NO.	TORQUE @ 1075 RPM (25°C)	APPROVED SAMPLE	UL COMPONENT		CSA	
			FILE #	CCN #	FILE #	CLASS #
C0000985	23.5 OZ. FT.	OER-0010244	E46412	PRGY2	LR43341	4211-01

LEAD DATA

DRAWING REVISION C	REVISION BY HANNA.ZOU	DATE 04-29-2019
ECO-0165194	APPROVED BY KEYUN.GONG	DATE 04-29-2019
ECO DESCRIPTION SEE ECO		

ENCLOSURE

DRAWN BY: JASMINE.ZHU
DATE: 05-25-2017
APPROVED BY: DEXIAN.LI
DATE: 05-25-2017
REFERENCE
THIRD ANGLE PROJECTION

REGAL™ Regal Beloit America, Inc.	
DESCRIPTION	MODEL-RFHP-48FR OUTLINE
MATERIAL	PROCESS/FINISH
SIZE DWG NO	EM3584
SHEET	1

COPYRIGHT REGAL-BELOIT AMERICA, INC. ALL RIGHTS RESERVED. PROPRIETARY AND CONFIDENTIAL INFORMATION - THIS DOCUMENT IS THE PROPERTY OF REGAL-BELOIT AMERICA, INC. (OWNER) AND CONTAINS OWNER'S PROPRIETARY INFORMATION. ANY PERSON, CORPORATION OR OTHER FIRM RECEIVING IT IS DEEMED, BY RECEIVING IT, TO AGREE THAT IT, AND/OR ANY PART OF IT, SHALL NOT BE DISCLOSED TO ANY PERSON, CORPORATION OR OTHER ENTITY, DUPLICATED, AND/OR USED, EXCEPT AS EXPRESSLY APPROVED IN WRITING IN ADVANCE BY OWNER. THIS DOCUMENT SHALL BE RETURNED TO OWNER UPON REQUEST. IT MAY BE SUBJECT TO CERTAIN RESTRICTIONS UNDER APPLICABLE EXPORT CONTROL LAWS AND REGULATIONS.