

GENERAL INFORMATION:

SHAFT RUNOUT: .001 [.03] T.I.R. PER INCH LENGTH OF EXTENSION

BEARINGS: BALL

MOUNTING POSITION: ALL ANGLE

ELECTRICAL DATA:

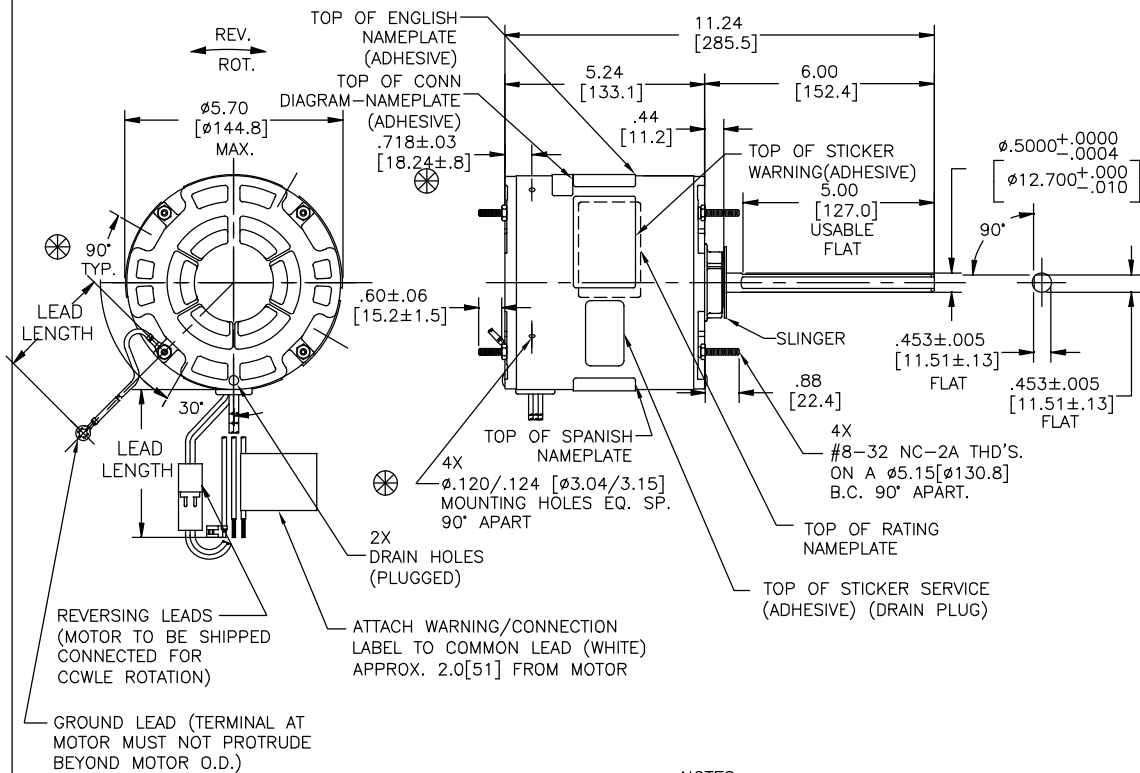
OVERLOAD PROTECTOR: AUTOMATIC RESET (T.I. 7AM 036)

LINE LEADS: NO. 18 GA., .03 [.8] THK. XLP 125°C INSUL.

REVERSING PLUGS: NO. 18 GA., .03 [.8] THK. XLP 125°C INSUL.

GROUND LEAD: NO. 18 GA., .03 [.8] THK. (GREEN) INSUL.

CAPACITOR: 7.5 MFD/370 VAC @ 230 VOLT  
10 MFD/370 VAC @ 208 VOLT



NOTES:  
4X SCREWS 615982-001 & 4X HEX NUTS 7555A19H01 TO BE PUT IN A POLYBAG.

⊗ DENOTES CRITICAL CHARACTERISTICS

REGAL-BELOIT CORPORATION (RBC) PROVIDES TECHNICAL ASSISTANCE TO OUR CUSTOMERS IN SEVERAL AREAS. SINCE RBC DOES NOT RECEIVE ALL DATA CONCERNING THE USE AND APPLICATION OF THE MOTOR, THE SUITABILITY OF THE MOTOR FOR THE APPLICATION MUST BE DETERMINED BY THE CUSTOMER.

DIMENSIONS WITHOUT TOLERANCES ARE FOR REFERENCE ONLY.

GREEN (GROUND)	12.0/13.0 [305/330]	#10 EYELET
BLACK/WHITE	3.0/5.0 [76/127]	REVERSING PLUG
BROWN	35.0/37.0 [889/940]	.25 [6.4] FLAG
BROWN/WHITE	35.0/37.0 [889/940]	.25 [6.4] FLAG
RED	35.0/37.0 [889/940]	.50 [12.7] SKIN
WHITE	35.0/37.0 [889/940]	.50 [12.7] SKIN
BLACK	35.0/37.0 [889/940]	.50 [12.7] SKIN
COLOR	LENGTH	TERMINAL OR STRIP LENGTH

MAIN FRAME - OLE	ENCLOSED
END FRAME - OLE	ENCLOSED WITH DRAIN PLUG
MAIN FRAME - LE	ENCLOSED
END FRAME - LE	ENCLOSED WITH DRAIN PLUG

CUSTOMER: EconoMaster

NAMEPLATE DATA:	EXTERNAL CONNECTION DIAGRAM
MODEL NO.: F48AE79A01 CUST. P/N: EM3469 HP: 1/3, 1/5 ROT.: REVERSIBLE RPM: 825/2 SPD. TYPE: UF FRAME: 48Y VOLTS: 208-230 PH: 1 AMPS: 1.9, 1.2 HZ: 60 INS.: B AMB.: 60°C DUTY: AIR OVER CAP.: 10 OR 7.5 MFD/370V ENCL: ENCLOSED UL LOGO CSA LOGO THERMALLY PROTECTED	<p>SEP. CAP. →</p> <p>BROWN</p> <p>BRN/WHT</p> <p>WHITE</p> <p>BLACK HI</p> <p>RED LO</p> <p>ROTATION</p> <p>BLACK BLACK</p> <p>WHITE WHITE</p> <p>CCWLE</p> <p>BLACK WHITE</p> <p>WHITE BLACK</p> <p>CWLE</p> <p>614131-308</p>

PERFORMANCE CURVE NO.	TORQUE @825 RPM (25°C)	APPROVED SAMPLE	UL COMPONENT	CSA
C0000325	37.7 OZ. FT.	X-0000534	FILE # PRGY2	FILE # CLASS #
			E46412	LR43341 4211-01

DRAWING REVISION	REVISION BY	DATE
H	GELINE ZHAO	05-23-2019
ECO	KEYUN QONG	05-23-2019
ECO DESCRIPTION		
SEE ECO		

DRAWN BY:	CZ
DATE:	10-19-2011
APPROVED BY:	DL
DATE:	10-19-2011
PROCESS/FINISH	-
THIRD ANGLE PROJECTION	⊗

Regal Beloit America, Inc.

MODEL-RFHP-48FR OUTLINE

MATERIAL: -

SIZE: C DWG NO: EM3469

SHEET: 1

REGAL-BELOIT CORPORATION (RBC) PROVIDES TECHNICAL ASSISTANCE TO OUR CUSTOMERS IN SEVERAL AREAS. SINCE RBC DOES NOT RECEIVE ALL DATA CONCERNING THE USE AND APPLICATION OF THE MOTOR, THE SUITABILITY OF THE MOTOR FOR THE APPLICATION MUST BE DETERMINED BY THE CUSTOMER.