

GENERAL INFORMATION:

SHAFT RUNOUT: .001 [.03] T.I.R. PER INCH LENGTH OF EXTENSION

BEARINGS: BALL

MOUNTING POSITION: ALL ANGLE

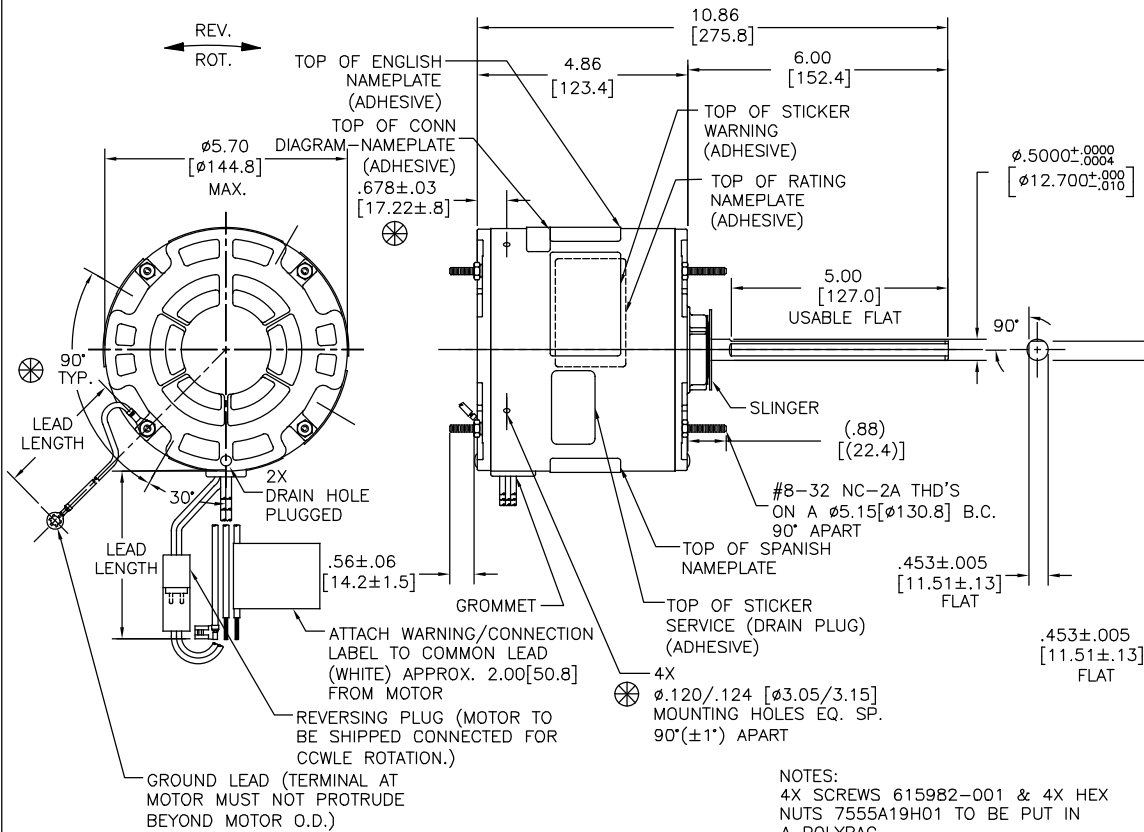
ELECTRICAL DATA:

OVERLOAD PROTECTOR: AUTOMATIC RESET (SENSATA 7AM 036)

LINE LEADS: NO. 18 GA., .03 [.8] THK. XLP 125°C INSUL.

REVERSING PLUGS: NO. 18 GA., .03 [.8] THK. XLP 125°C INSUL.

GROUND LEAD: NO. 18 GA., .03 [.8] THK. (GREEN) INSUL.



NOTES:  
 4X SCREWS 615982-001 & 4X HEX NUTS 7555A19H01 TO BE PUT IN A POLYBAG.

⊗ DENOTES CRITICAL CHARACTERISTICS

REGAL-BELOIT CORPORATION (RBC) PROVIDES TECHNICAL ASSISTANCE TO OUR CUSTOMERS IN SEVERAL AREAS. SINCE RBC DOES NOT RECEIVE ALL DATA CONCERNING THE USE AND APPLICATION OF THE MOTOR, THE SUITABILITY OF THE MOTOR FOR THE APPLICATION MUST BE DETERMINED BY THE CUSTOMER.

DIMENSIONS WITHOUT TOLERANCES ARE FOR REFERENCE ONLY.

|                  |          |
|------------------|----------|
| MAIN FRAME - OLE | ENCLOSED |
| END FRAME - OLE  | ENCLOSED |
| MAIN FRAME - LE  | ENCLOSED |
| END FRAME - LE   | ENCLOSED |

|                |                     |                          |
|----------------|---------------------|--------------------------|
| GREEN (GROUND) | 12.0/13.0 [305/330] | #10 EYELET               |
| BLACK/WHITE    | 3.0/5.0 [76/127]    | REVERSING PLUG           |
| BROWN          | 34.5/37.5 [876/953] | .25 [6.4] FLAG           |
| BROWN/WHITE    | 34.5/37.5 [876/953] | .25 [6.4] FLAG           |
| RED            | 34.5/37.5 [876/953] | .50 [12.7] SKIN          |
| BLACK          | 34.5/37.5 [876/953] | .50 [12.7] SKIN          |
| WHITE          | 34.5/37.5 [876/953] | .50 [12.7] SKIN          |
| COLOR          | LENGTH              | TERMINAL OR STRIP LENGTH |

|  |  |
|--|--|
| NAMEPLATE DATA:  | EXTERNAL CONNECTION DIAGRAM  |
| MODEL NO.: F48AF43A01<br>CUST. P/N: EM3465F<br>HP: 1/3, 1/5<br>ROT.: REVERSIBLE<br>RPM: 1075/2 SPD.<br>TYPE: UF<br>FRAME: 48Y<br>VOLTS: 208-230<br>PH: 1<br>AMPS: 2.6, 1.4<br>HZ: 60<br>INS.: F<br>AMB.: 70°C<br>DUTY: AIR OVER<br>CAP.: 7.5 OR 5 MFD/370V<br>ENCL: ENCLOSED<br>UL LOGO<br>CSA LOGO<br>THERMALLY PROTECTED | <p>SEP. CAP.</p> <p>BROWN</p> <p>BRN/WHT</p> <p>WHITE</p> <p>BLACK HI</p> <p>RED LO</p> <p>ROTATION</p> <p>BLACK BLACK</p> <p>WHITE WHITE</p> <p>CCWLE</p> <p>BLACK WHITE</p> <p>WHITE BLACK</p> <p>CWLE</p> <p>D0000006-037</p> |

|                       |                          |                 |              |                 |
|-----------------------|--------------------------|-----------------|--------------|-----------------|
| PERFORMANCE CURVE NO. | TORQUE @ 1075 RPM (25°C) | APPROVED SAMPLE | UL COMPONENT | CSA             |
| C23418                | 39.4 OZ. FT.             | 0343266A        | FILE # PRG2  | FILE # CLASS #  |
|                       |                          |                 | E46412       | LR43341 4211-01 |

|                  |             |            |
|------------------|-------------|------------|
| DRAWING REVISION | REVISION BY | DATE       |
| E                | GELINE ZHAO | 05-23-2019 |
| ECO              | KEYUN QONG  | 05-23-2019 |
| ECO-0166568      |             |            |
| ECO DESCRIPTION  |             |            |
| SEE ECO          |             |            |

REGAL-BELOIT CORPORATION (RBC) PROVIDES TECHNICAL ASSISTANCE TO OUR CUSTOMERS IN SEVERAL AREAS. SINCE RBC DOES NOT RECEIVE ALL DATA CONCERNING THE USE AND APPLICATION OF THE MOTOR, THE SUITABILITY OF THE MOTOR FOR THE APPLICATION MUST BE DETERMINED BY THE CUSTOMER.

|                        |            |
|------------------------|------------|
| DRAWN BY:              | C. ZHANG   |
| DATE:                  | 12-24-2012 |
| APPROVED BY:           | T. ZHAO    |
| DATE:                  | 12-24-2012 |
| PROCESS/FINISH         |            |
| THIRD ANGLE PROJECTION |            |

REGAL Beloit America, Inc.

DESCRIPTION: MODEL-RFHP-48FR OUTLINE

MATERIAL: -

SIZE: C

DWG NO: EM3465F

SHEET: 1

D  
C  
B  
A

D  
C  
B  
A

4

3

2

1

4

3

2

1