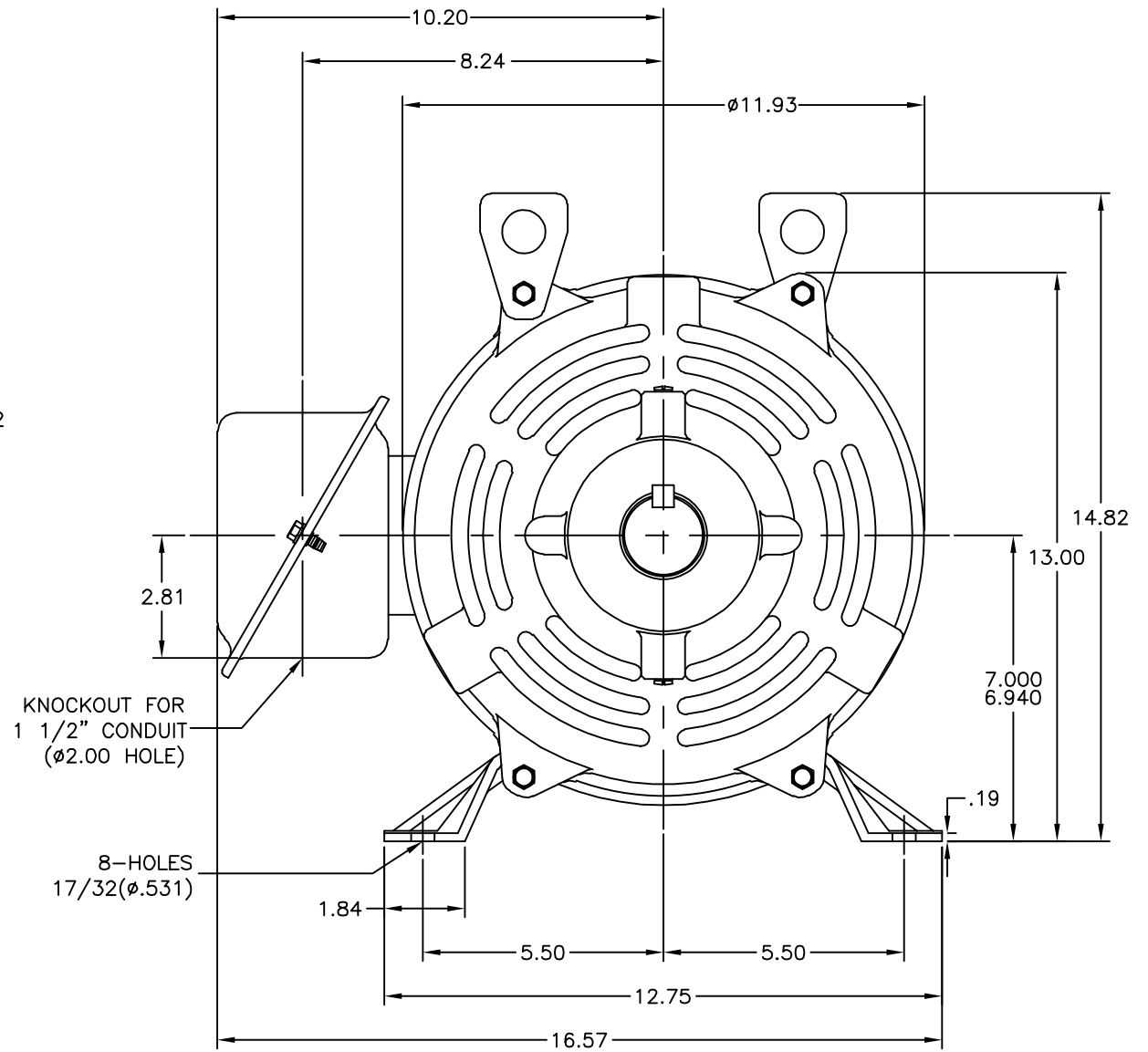
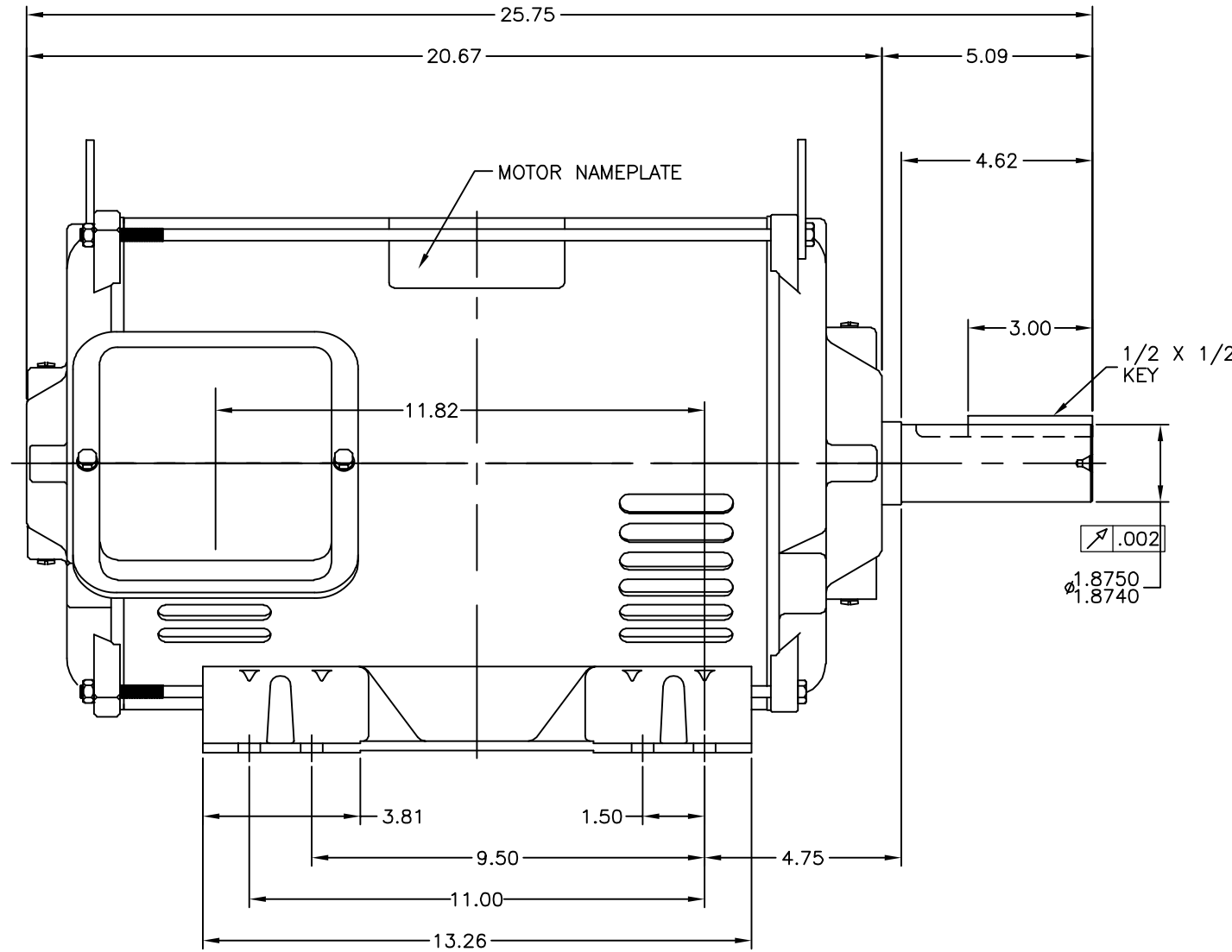


REV	ECO	REV BY	DATE	APPD	DATE
B	0015756	AJB	08-25-2010	AJB	08-25-2010



- NOTES:
- 1- SPECIAL CONDUIT BOX MOUNTING.
 - 2- MOTOR VENTILATION: AIR INTAKE THROUGH OPENINGS IN THE FACE OF EACH BRACKET AND EXHAUSTED THROUGH THE VENT SLOTS ON EACH END OF THE SHELL.
 - 3- NOT FIELD CONVERTIBLE TO F2

MOTOR DESCRIPTION:
 3 PHASE OPEN DRIPPROOF STEEL SHELL 284T OR 286T MOUNTING.
 OTHER MOUNTING ORIENTATIONS ARE ACCEPTABLE; HOWEVER WHEN MOUNTED OTHER THAN HORIZONTAL; MOTOR WILL NOT BE DRIPPROOF AS DEFINED BY NEMA.

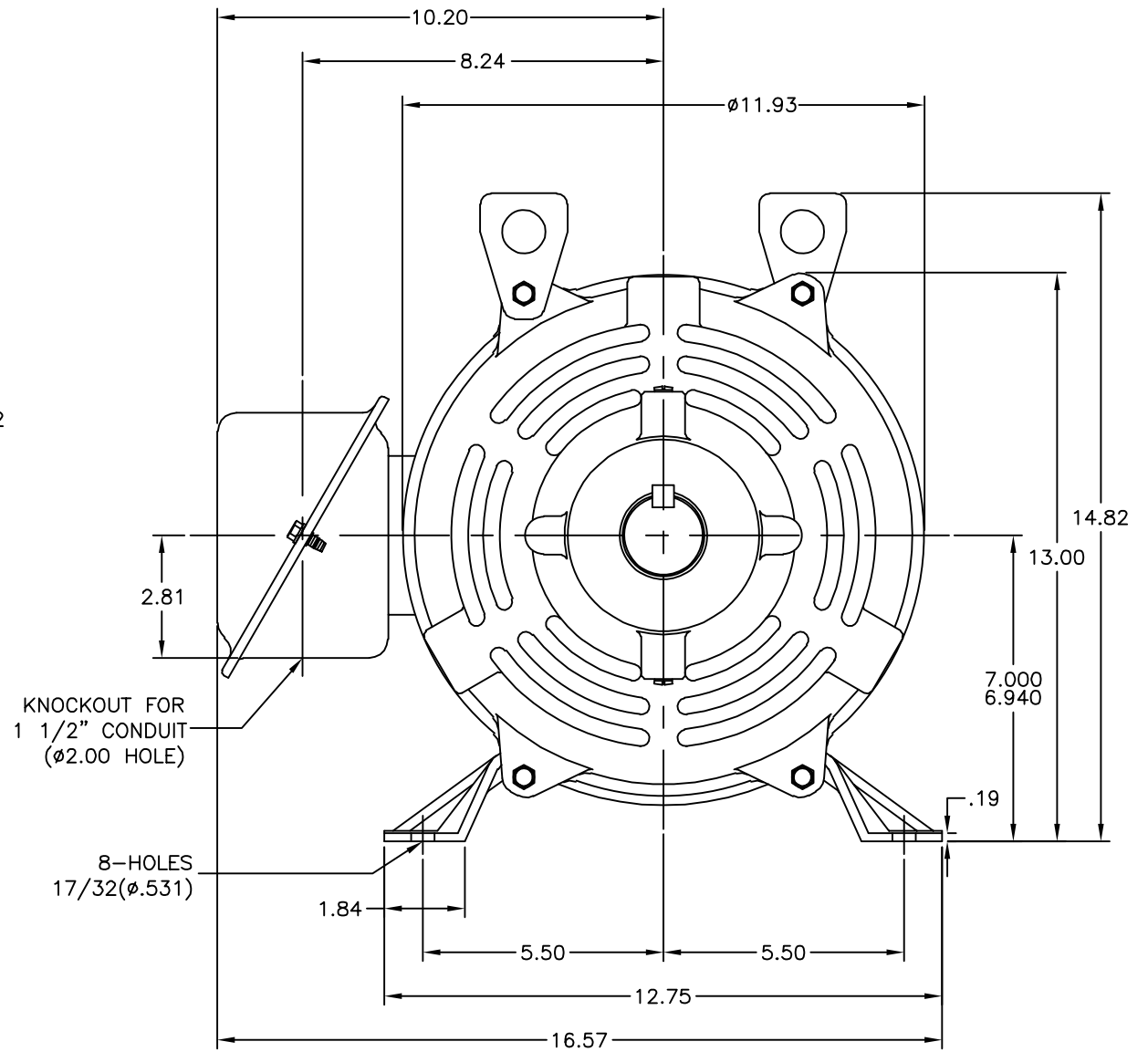
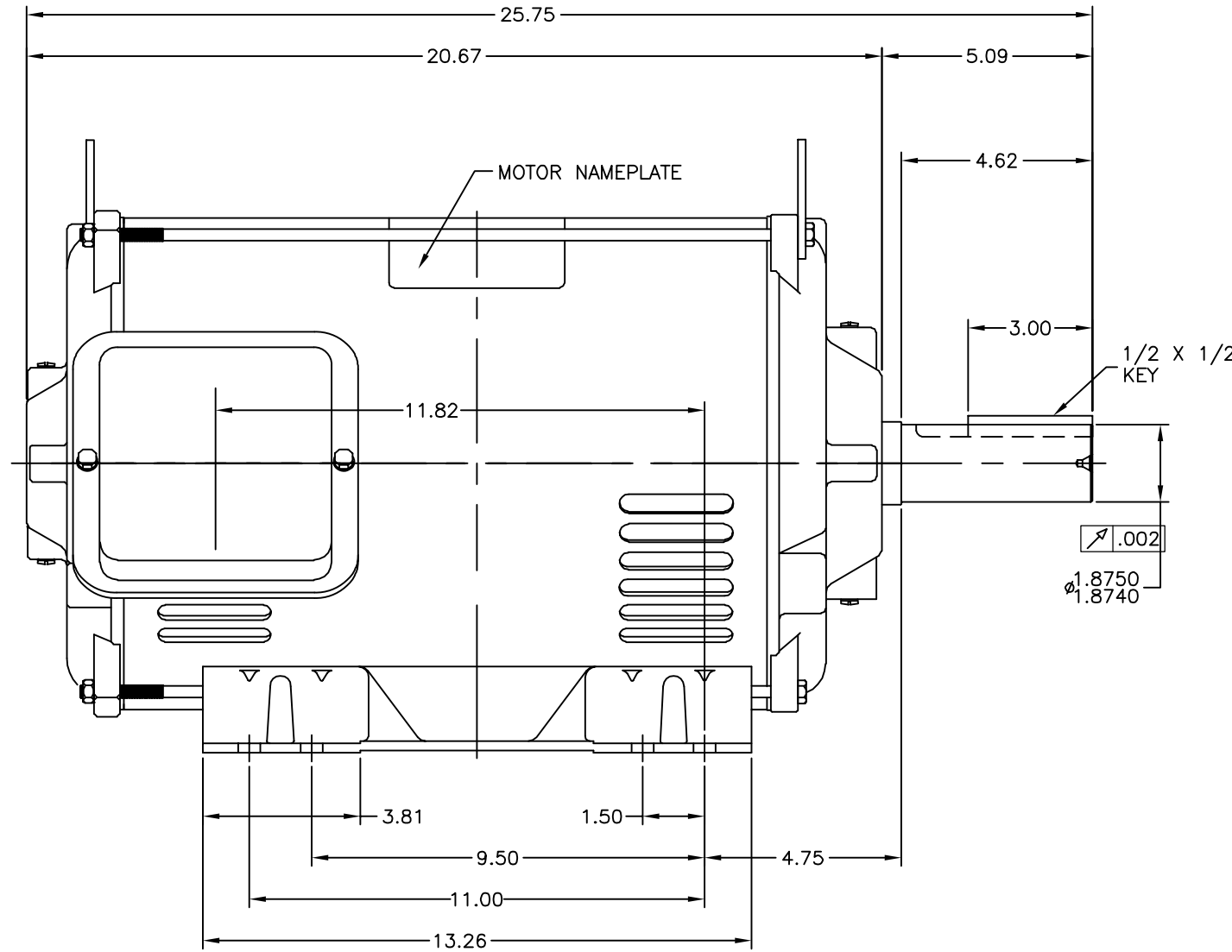
CERTIFICATION OF A.C. MOTORS
 CERTIFIED FOR
 SPEC. NO. _____ ORDER NO. _____
 ORDER I.D. _____ EMI _____
 TYPE _____ FRAME _____ H.P. _____
 R.P.M. _____ VOLTS _____ PHASE _____
 HERTZ _____ AMPS _____ CODE _____
 REMARKS _____
 APPROVED BY _____ DATE: _____

GEOMETRIC CHARACTERISTICS & SYMBOLS ▭ FLATNESS — STRAIGHTNESS ∠ ANGULARITY ⊥ PERPENDICULARITY (SQUARENESS) ∥ PARALLELISM ○ ROUNDNESS (CIRCULARITY) ∅ CYLINDRICITY ▵ PROFILE OF ANY SURFACE ∩ PROFILE OF ANY LINE ↗ RUNOUT ⊕ TRUE POSITION ⊙ CONCENTRICITY = SYMMETRY	UNLESS OTHERWISE SPECIFIED DIM. TOLERANCES ARE AS FOLLOWS: INCH .1 ±.02 ±.005 ±.0005 mm ±0.5 ±0.13 ±0.013 ANG. ±.50 DEG REMOVE BURRS & BREAK SHARP EDGES: INCH .003-.015 mm 0.1-0.4 CORNER FILLETS TO: INCH .020 mm 0.5 MACHINE SURFACES: INCH 125 mm 3.2 METRIC DIMS. SHOWN IN [BRACKETS]	DR BY: RJB	03-31-2004	AC Smith Innovation has a name. ELECTRICAL PRODUCTS COMPANY A DIVISION OF A. O. SMITH CORPORATION
		APPD: JAS	03-31-2004	

THIRD ANGLE PROJECTION

CONFIDENTIAL: THIS DRAWING AND ITS INFORMATION ARE THE EXCLUSIVE AND CONFIDENTIAL PROPERTY OF A.O. SMITH CORP. AND ARE NOT TO BE DISCLOSED, DUPLICATED, DISTRIBUTED OR OTHERWISE USED WITHOUT THE WRITTEN CONSENT OF A.O. SMITH CORP. -ALL RIGHTS RESERVED. ASME Y14.5M 1994

REVISION:	ECO	REVISADO POR:	AJB	FECHA:	08-25-2010	APROBADO POR:	AJB	FECHA:	08-25-2010
B	0015756								



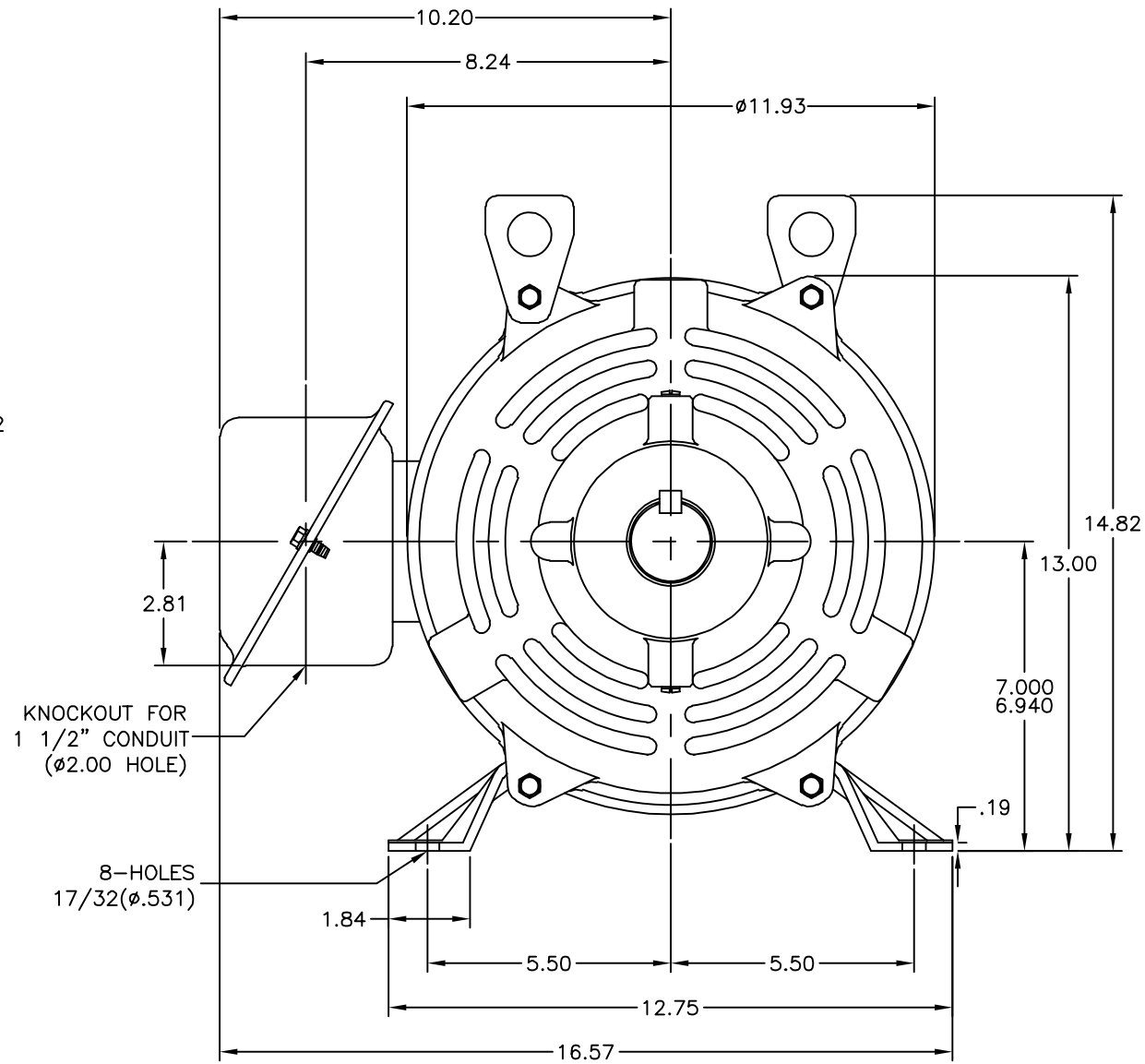
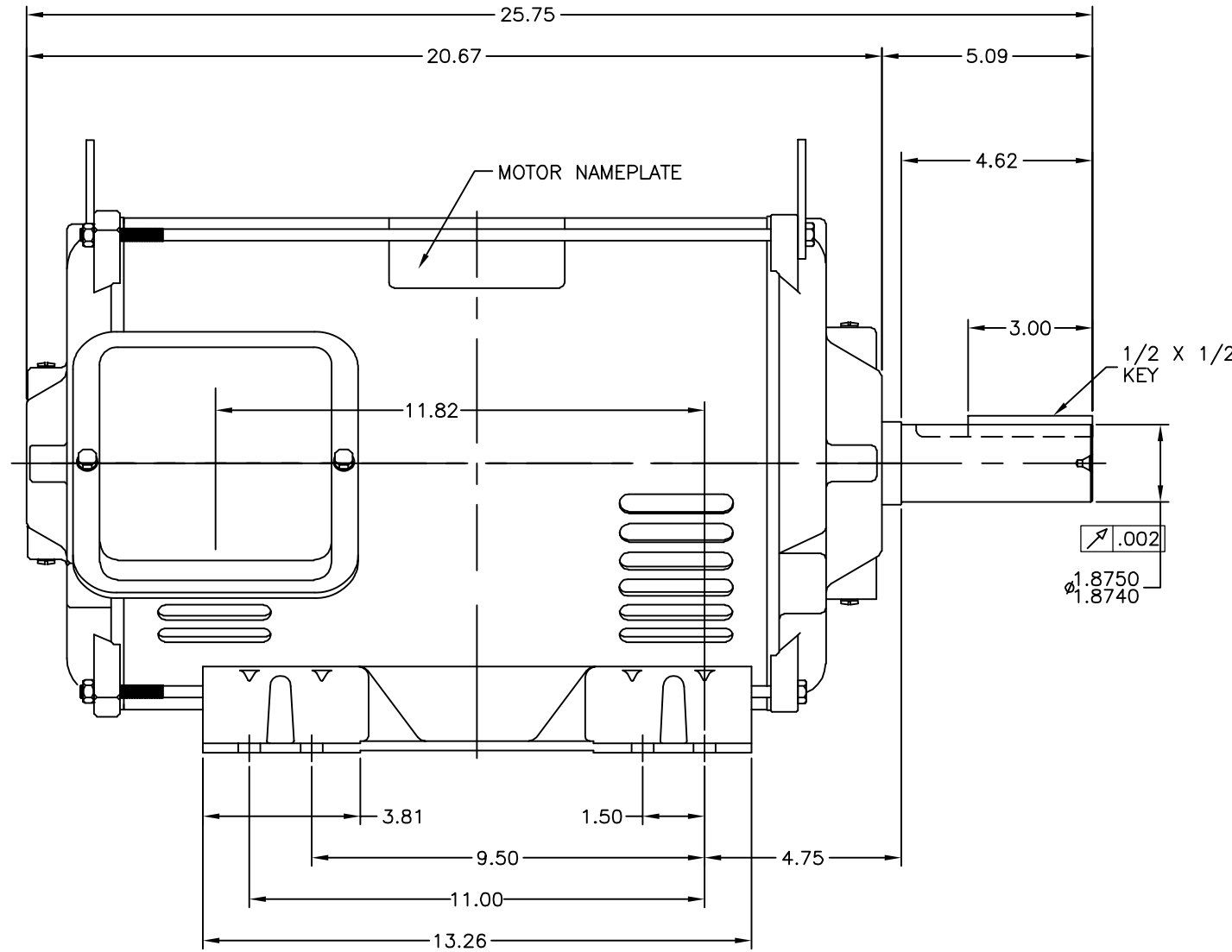
- NOTES:
- 1- SPECIAL CONDUIT BOX MOUNTING.
 - 2- MOTOR VENTILATION: AIR INTAKE THROUGH OPENINGS IN THE FACE OF EACH BRACKET AND EXHAUSTED THROUGH THE VENT SLOTS ON EACH END OF THE SHELL.
 - 3- NOT FIELD CONVERTIBLE TO F2

MOTOR DESCRIPTION:
 3 PHASE OPEN DRIPPROOF STEEL SHELL 284T OR 286T MOUNTING.
 OTHER MOUNTING ORIENTATIONS ARE ACCEPTABLE; HOWEVER WHEN MOUNTED OTHER THAN HORIZONTAL; MOTOR WILL NOT BE DRIPPROOF AS DEFINED BY NEMA.

CERTIFICATION OF A.C. MOTORS
 CERTIFIED FOR
 SPEC. NO. _____ ORDER NO. _____
 ORDER I.D. _____ EMI _____
 TYPE _____ FRAME _____ H.P. _____
 R.P.M. _____ VOLTS _____ PHASE _____
 HERTZ _____ AMPS _____ CODE _____
 REMARKS _____
 APPROVED BY _____ DATE: _____

CARACTERÍSTICAS DE GEOMETRIA Y SIMBOLOS: □ PLANICIDAD — RECTITUD < ANGULARIDAD ⊥ PERPENDICULARIDAD (A ESCUADRA) // PARALELISMO ○ REDONDEZ (CIRCULARIDAD) ∅ CILINDRICIDAD ∆ PERFIL DE CUALQUIER SUPERFICIE ∇ PERFIL DE CUALQUIER LINEA ↗ VARIACION ⊕ POSICION REAL ⊙ CONCENTRICIDAD = SIMETRIA	A MENOS QUE SE ESPECIFIQUE DE OTRA MANERA, LAS TOLERANCIAS DE LAS DIMS; SON LAS SIGUIENTES: PULG ±.1 ±.02 ±.005 ±.0005 mm ±0.5 ±0.13 ±0.013 ANG. ±.50 GRADOS ELIMINAR REBABAS Y ORILLAS FILOSAS DEL BORDE. PULG .003-.015 mm 0.1-0.4 FILETEAR ESQUINA: PULG .020 mm 0.5 MAQUINAR SUPERFICIES PULG 125 mm 3.2 DIMS METRICAS MOSTRADAS [PARENTESIS]	DIBUJADO POR: RJB APROBADO POR: JAS TERCER ANGULO DE PROYECCION	03-31-2004 03-31-2004 FECHA EDS: 02-22-2008 REV. FORMATO: F	DESCRIPCION: OUTLINE S284T/S286T ODP SPL EE STD TAMANO: D NUMERO DE DIBUJO: 18771201-001 ESCALA: NONE HOJA: 1
	CONFIDENCIAL: ESTE DIBUJO Y SU INFORMACION SON PROPIEDAD DE USO EXCLUSIVO Y CONFIDENCIAL DE A.O. SMITH CORP. Y NO DEBERAN SER REVELADOS, DUPLICADOS, DISTRIBUIDOS O USARSE DE OTRA MANERA SIN EL CONSENTIMIENTO ESCRITO DE A.O. SMITH CORP. -TODOS LOS DERECHOS RESERVADOS. ASME Y14.5M 1994			A.O. SMITH innovation has a name. ELECTRICAL PRODUCTS COMPANY A DIVISION OF A. O. SMITH CORPORATION

版本	ECO	编制	日期	批准	日期
B	0015756	AJB	08-25-2010	AJB	08-25-2010



- NOTES:
- 1- SPECIAL CONDUIT BOX MOUNTING.
 - 2- MOTOR VENTILATION: AIR INTAKE THROUGH OPENINGS IN THE FACE OF EACH BRACKET AND EXHAUSTED THROUGH THE VENT SLOTS ON EACH END OF THE SHELL.
 - 3- NOT FIELD CONVERTIBLE TO F2

MOTOR DESCRIPTION:
 3 PHASE OPEN DRIPPROOF STEEL SHELL 284T OR 286T MOUNTING.
 OTHER MOUNTING ORIENTATIONS ARE ACCEPTABLE; HOWEVER WHEN MOUNTED OTHER THAN HORIZONTAL; MOTOR WILL NOT BE DRIPPROOF AS DEFINED BY NEMA.

CERTIFICATION OF A.C. MOTORS
 CERTIFIED FOR
 SPEC. NO. _____ ORDER NO. _____
 ORDER I.D. _____ EMI _____
 TYPE _____ FRAME _____ H.P. _____
 R.P.M. _____ VOLTS _____ PHASE _____
 HERTZ _____ AMPS _____ CODE _____
 REMARKS _____
 APPROVED BY _____ DATE: _____

形位公差 □ 平面度 〃 直线度 ∠ 倾斜度 ⊥ 垂直度 // 平行度 ○ 圆度 ⊙ 圆柱度 ⊖ 圆跳动 ⊕ 位置度 ⊙ 同轴度 ≡ 对称度	除另有注明 尺寸公差如下: 英寸 X XX XXX XXXX 毫米 ±.1 ±.02 ±.005 ±.0005 ±0.5 ±0.13 ±0.013 角度 ±.50 度 清理毛刺和尖棱 英寸 .003-.015 毫米 0.1-0.4 内圆角 英寸 .020 毫米 0.5 表面粗糙度 英寸 125 米制 3.2 米制尺寸显示在 []	绘图: RJB	03-31-2004	名称 S284T/S286T ODP SPL EE STD 图号 18771201-001 比例 NONE 页号 1
		批准: JAS	03-31-2004	
第三角投影		机密: 本图纸及相关信息所有权归A. O. SMITH公司所有。 未经A. O. SMITH公司书面授权, 不得泄露、复制、传播或作其他用途。--版权所有		图幅 D 比例 NONE
ASME Y14.5M 1994		ELECTRICAL PRODUCTS COMPANY A DIVISION OF A. O. SMITH CORPORATION		