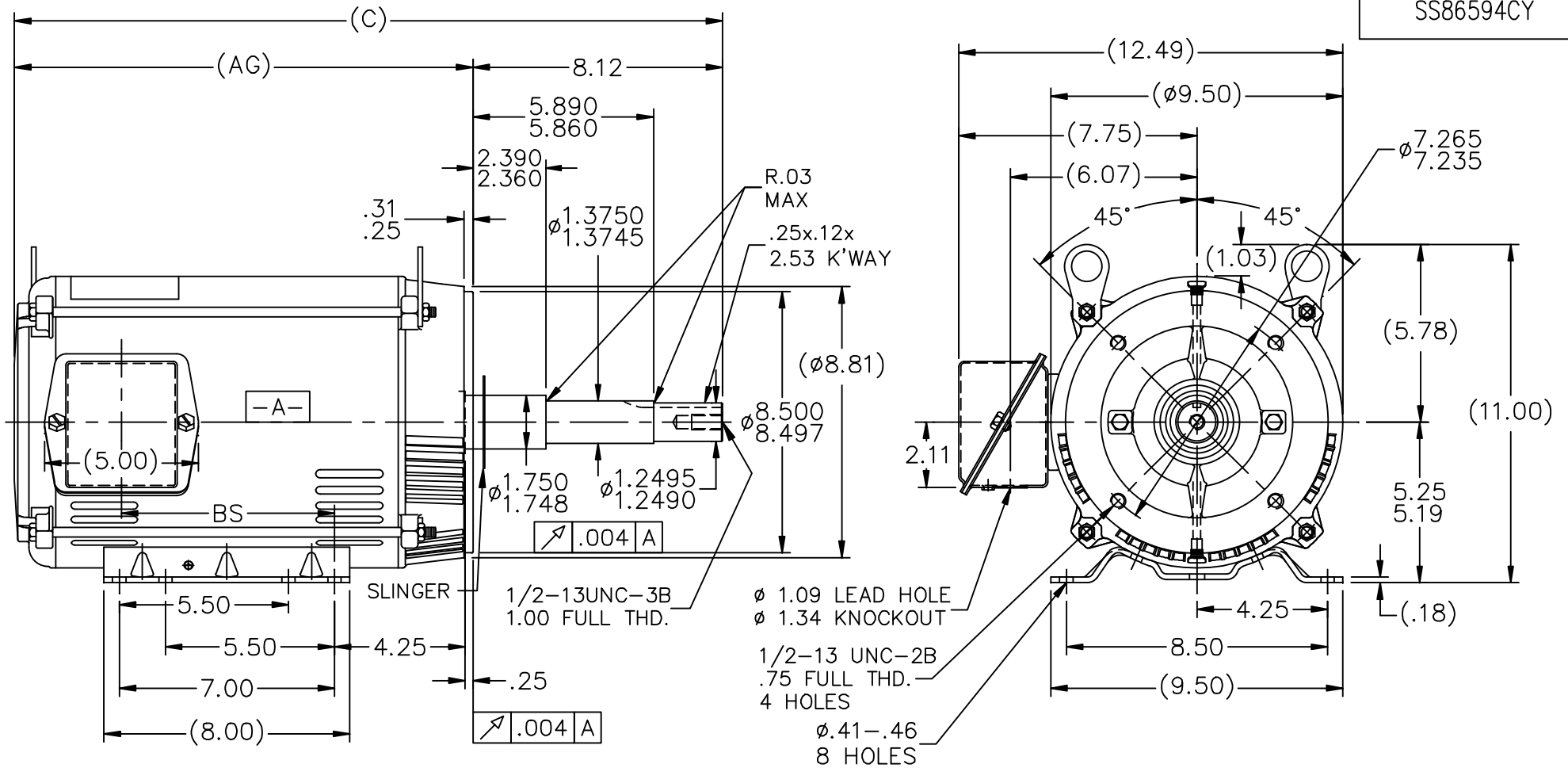


SS86594CY



NOTES:

1. NAMEPLATE TO BE READ FROM C'BOX SIDE OF MOTOR.
2. BOX CAN BE MOUNTED IN 90° STEPS.
3. BOX CAN BE MOUNTED ON OPPOSITE SIDE BY REMOVING BRACKETS AND TURNING FRAME 180°. (EXCEPT AS NOTED)

DASH	FR.	C	AG	BS	MOUNTING
965	213JP	21.53	13.41	5.43	
1115	213/15JP	23.03	14.91	6.93	
1240	213/15JP	24.28	16.16	8.18	F1 ONLY

TOLERANCES UNLESS SPECIFIED

DEC.	INCHES
.X	±.1
.XX	±.03
.XXX	±.005
.XXXX	±.0005
ANG	±7'30"



TITLE OUTLINE
210JP FR.-BB-TS-DR.PR.-C' FACE

MAT'L.

FINISH

DRAWN	GR 09/03/12
CHK	SR 09/03/12
APPD	
SCALE	1=5
REF	SS86594
FMF	
PREV	

NO.	REVISION	BY & DATE	CHK	ANG	FINISH
			RFP		CAD FILE SS86594CY
			DIST	LB	

THIS DRAWING IN DESIGN AND DETAIL IS OUR PROPERTY AND MUST NOT BE USED EXCEPT IN CONNECTION WITH OUR WORK ALL RIGHTS OF DESIGN AND INVENTION ARE RESERVED THIS IS AN ELECTRONICALLY GENERATED DOCUMENT - DO NOT SCALE THIS PRINT

SIZE	DRAWING NO.	PAGE	OF	REV.
A	SS86594CY			