

4

3

2

1

GENERAL INFORMATION:

SHAFT RUNOUT: .001[.03] T.I.R. PER INCH LENGTH OF EXTENSION.

END PLAY: .010[.25] TO .063[1.60]

BEARINGS: SLEEVE

MOUNTING POSITION: HORIZONTAL

ELECTRICAL DATA:

OVERLOAD PROTECTOR: AUTOMATIC RESET (T.I. 7AM 036)

LEADS: NO. 18 GA., .03[.8] THK., 125°C INSUL.

GROUND LEAD: NO. 18 GA., .03[.8] THK., GREEN INSUL.

NOTES:

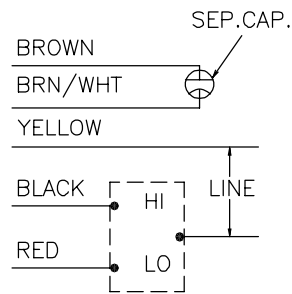
- 1. DISTRIBUTION: CUST. P/N: DSB1024  
GRAINGER: CUST. P/N: 4UU28

SEE NOTE 1

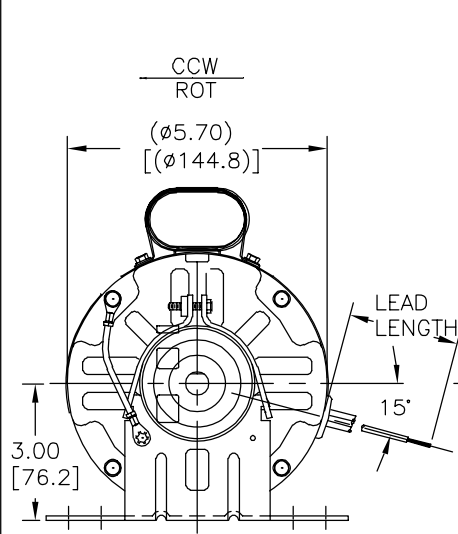
NAMEPLATE DATA:

MODEL NO.: F48V51A01  
CUST. P/N: [ ]  
HP: 1/4  
ROT: CCWLE  
RPM: 1625/2 SPD.  
TYPE: UF  
FRAME: 48Y  
VOLTS: 115  
PH: 1  
AMPS: 2.4  
HZ: 60  
INS: B  
AMB: 40°C  
DUTY: AIR OVER  
CAP.: 5 MFD/370V  
UL & CSA LOGO  
THERMALLY PROTECTED

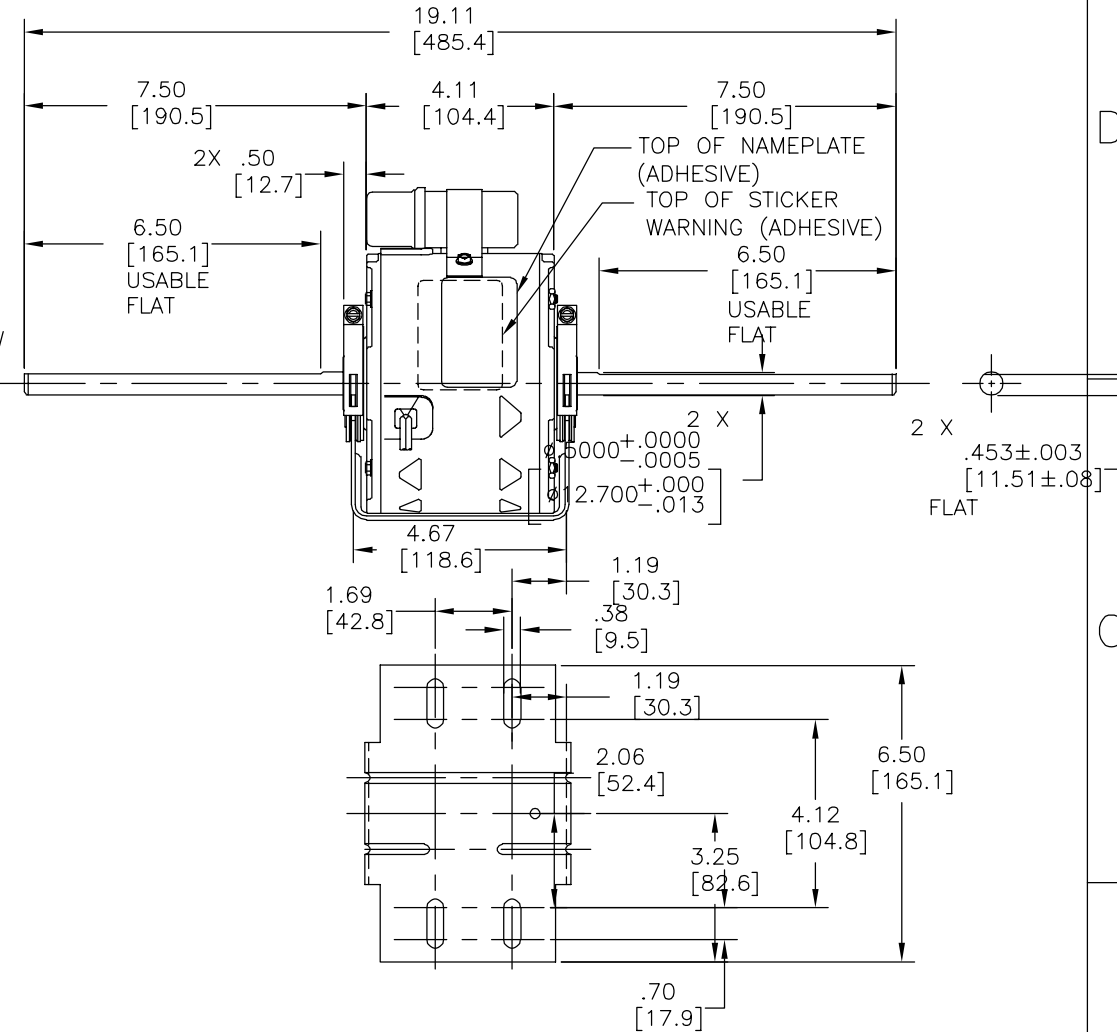
EXTERNAL CONNECTION DIAGRAM



614131-180



REV	ECO	REV BY	DATE	APPD	DATE
B	0025543	A. ARREOLA	04-26-2012	D. BALDERRAMA	04-26-2012



GREEN (GRD)	CONNECTED TO BASE	#10 EYELET
BROWN	CONNECTED TO CAPACITOR	.25 [6.4] FLAG
BROWN/WHITE	CONNECTED TO CAPACITOR	.25 [6.4] FLAG
YELLOW	24.0/26.0 [610/660]	.50 [12.7] SKIN
BLACK	24.0/26.0 [610/660]	.50 [12.7] SKIN
RED	24.0/26.0 [610/660]	.50 [12.7] SKIN

COLOR	LENGTH	TERMINAL OR STRIP LENGTH
-------	--------	--------------------------

FILE #	CCN #	FILE #	CLASS #
E46412	PRGY2	LR43341	4211-01

MAIN FRAME - OLE	SEMI-ENCLOSED
END FRAME - OLE	OPEN
MAIN FRAME - LE	SEMI-ENCLOSED
END FRAME - LE	OPEN

CUSTOMER	DISTRIBUTION SERVICE
----------	----------------------

GEOMETRIC CHARACTERISTICS & SYMBOLS  
 □ FLATNESS  
 — STRAIGHTNESS  
 < ANGULARITY  
 ⊥ PERPENDICULARITY (SQUARENESS)  
 ∥ PARALLELISM  
 ○ ROUNDNESS (CIRCULARITY)  
 ∅ CYLINDRICITY  
 △ PROFILE OF ANY SURFACE  
 ∇ PROFILE OF ANY LINE  
 ↗ RUNOUT  
 ⊕ TRUE POSITION  
 ⊙ CONCENTRICITY  
 = SYMMETRY  
 ASME Y14.5M 1994

REGAL-BELOIT CORPORATION (RBC) PROVIDES TECHNICAL ASSISTANCE TO OUR CUSTOMERS IN SEVERAL AREAS. SINCE RBC DOES NOT RECEIVE ALL DATA CONCERNING THE USE AND APPLICATION OF THE MOTOR, THE SUITABILITY OF THE MOTOR FOR THE APPLICATION MUST BE DETERMINED BY THE CUSTOMER.

DIMENSIONS WITHOUT TOLERANCES ARE FOR REFERENCE ONLY.

DR BY: DZ 02-16-2011  
 APPD: DZ 02-16-2011  
 THIRD ANGLE PROJECTION  
 EDS DATE 11-11-2011  
 FORMAT REV G  
 CONFIDENTIAL: THIS DRAWING AND ITS INFORMATION ARE THE EXCLUSIVE AND CONFIDENTIAL PROPERTY OF REGAL-BELOIT CORPORATION AND ARE NOT TO BE DISCLOSED, DUPLICATED, DISTRIBUTED OR OTHERWISE USED WITHOUT THE WRITTEN CONSENT OF REGAL-BELOIT CORPORATION. -ALL RIGHTS RESERVED.



DESCRIPTION: MODEL-RFHP-48FR OUTLINE  
 SIZE: C DWG NO: F48V51A01  
 SCALE: NONE SHEET: 1

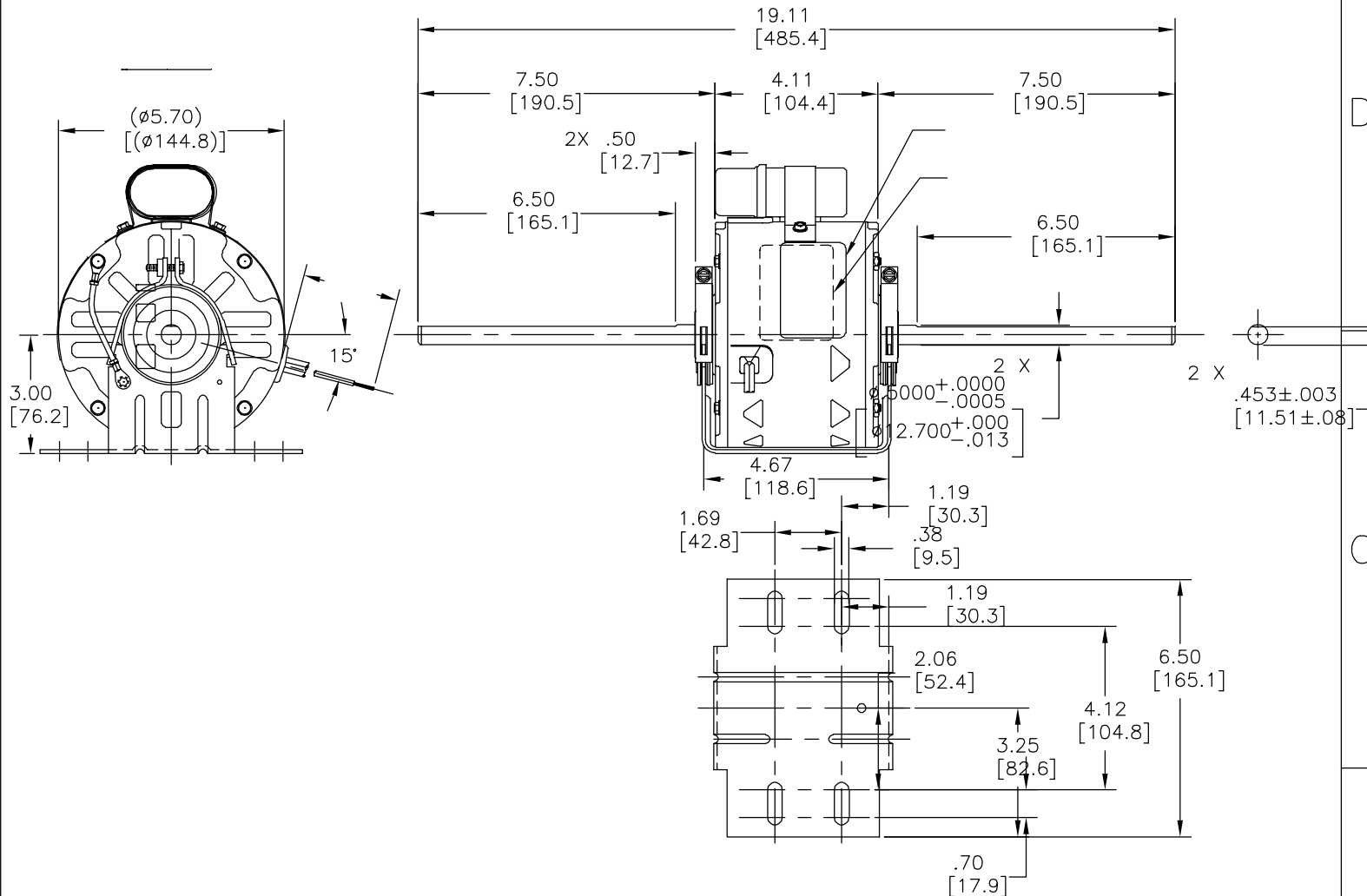
4

3

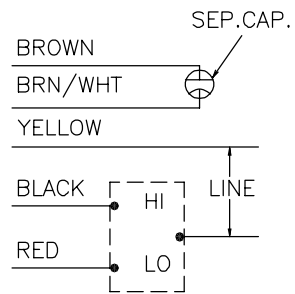
2

1

REVISION:	ECO	REVISADO POR:	FECHA:	APROBADO POR:	FECHA:
B	0025543	A. ARREOLA	04-26-2012	D. BALDERRAMA	04-26-2012



MODEL NO.: F48V51A01  
 CUST. P/N: [ ]  
 HP: 1/4  
 ROT: CCWLE  
 RPM: 1625/2 SPD.  
 TYPE: UF  
 FRAME: 48Y  
 VOLTS: 115  
 PH: 1  
 AMPS: 2.4  
 HZ: 60  
 INS: B  
 AMB: 40°C  
 DUTY: AIR OVER  
 CAP.: 5 MFD/370V  
 UL & CSA LOGO  
 THERMALLY PROTECTED



614131-180

		.25
		[6.4]
		.25
		[6.4]
	24.0/26.0	.50
	[610/660]	[12.7]
	24.0/26.0	.50
	[610/660]	[12.7]
	24.0/26.0	.50
	[610/660]	[12.7]

					CSA
C32387	9.9 OZ. FT.	0442584B	E46412	PRGY2	LR43341 4211-01

CARACTERISTICAS DE GEOMETRIA Y SIMBOLOS  
 ▧ PLANICIDAD  
 — RECTITUD  
 < ANGULARIDAD  
 ⊥ PERPENDICULARIDAD (A ESCUADRA)  
 // PARALELISMO  
 ○ REDONDEZ (CIRCULARIDAD)  
 ∅ CILINDRICIDAD  
 △ PERFIL DE CUALQUIER SUPERFICIE  
 ∩ PERFIL DE CUALQUIER LINEA  
 ↗ VARIACION  
 ⊕ POSICION REAL  
 ⊙ CONCENTRICIDAD  
 = SIMETRIA  
 ASME Y14.5M 1994

REGAL-BELOIT CORPORATION (RBC)  
 PROVEE ASISTENCIA TECNICA A NUESTROS CLIENTES EN VARIAS AREAS. DESDE QUE RBC NO RECIBE TODOS LOS DATOS EN RELACION AL USO Y A LA APLICACION DEL MOTOR, LA APLICACION ADECUADA DEL MOTOR DEBE SER DETERMINADA POR EL CLIENTE.

DIMENSIONES SIN TOLERANCIA SON DE REFERENCIA SOLAMENTE

DIBUJADO POR:	DZ	02-16-2011
APROBADO POR:	DZ	02-16-2011
TERCER ANGULO DE PROYECCION	⊕	FECHA EDS: 11-11-2011 REV. FORMATO: G

CONFIDENCIAL: ESTE DIBUJO Y SU INFORMACION SON PROPIEDAD DE USO EXCLUSIVO Y CONFIDENCIAL DE REGAL-BELOIT CORPORATION. Y NO DEBERAN SER REVELADOS, DUPLICADOS, DISTRIBUIDOS O USARSE DE OTRA MANERA SIN EL CONSENTIMIENTO ESCRITO DE REGAL-BELOIT CORPORATION. -TODOS LOS DERECHOS RESERVADOS.

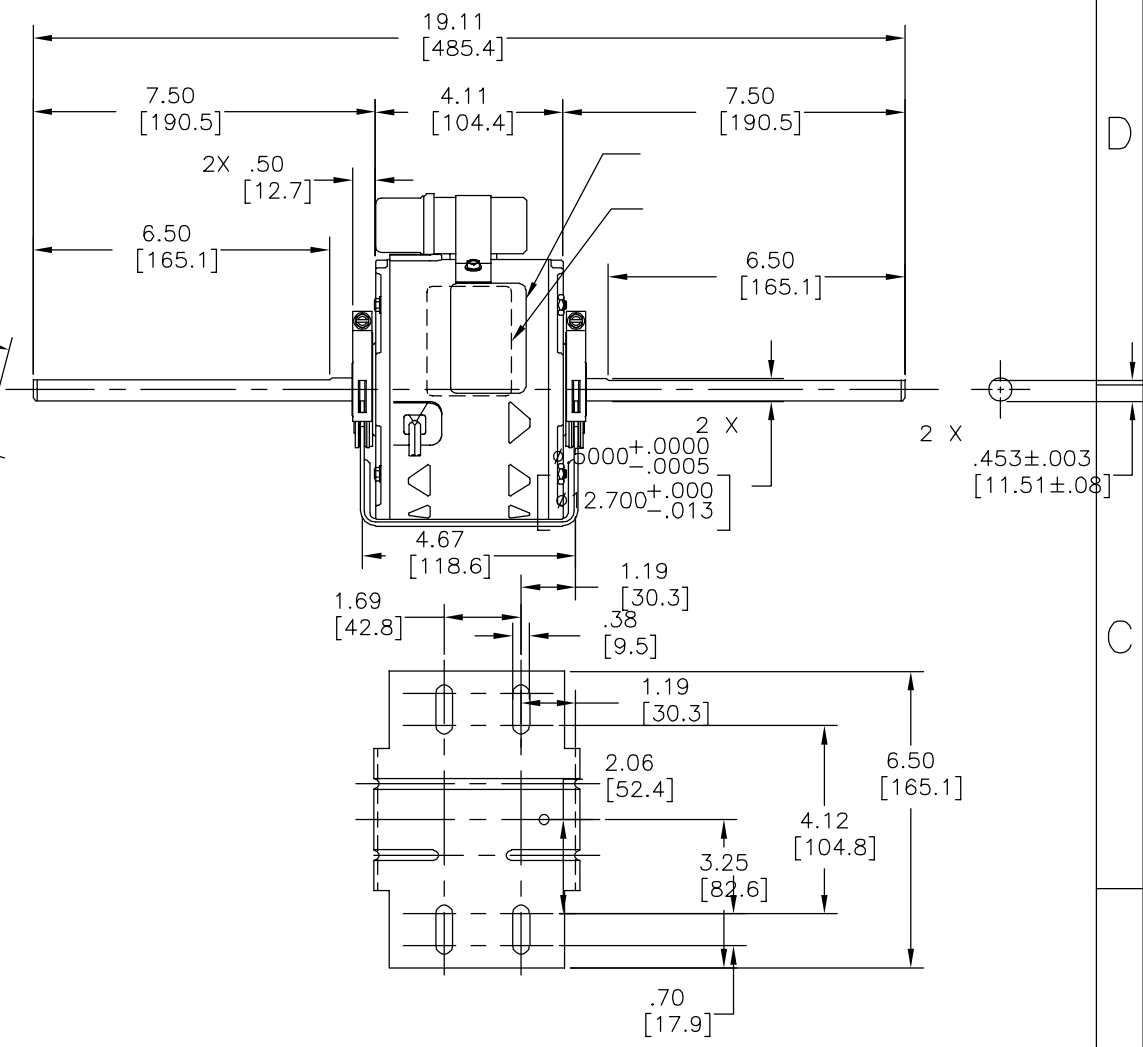
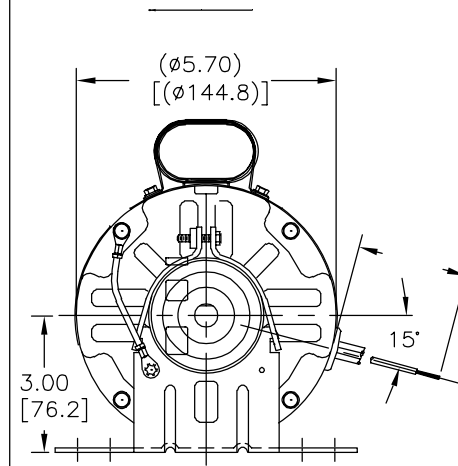


DESCRIPCION:  
 MODEL-RFHP-48FR  
 OUTLINE

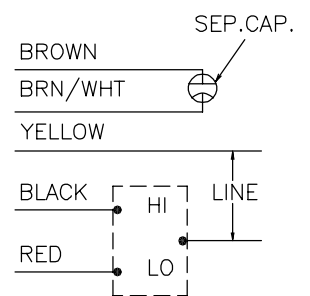
TAMAÑO: C NUMERO DE DIBUJO:  
 F48V51A01

ESCALA: NONE HOJA: 1

版本	ECO	编制	日期	批准	日期
B	0025543	A. ARREOLA	04-26-2012	D. BALDERRAMA	04-26-2012



MODEL NO.: F48V51A01  
 CUST. P/N: [ ]  
 HP: 1/4  
 ROT: CCWLE  
 RPM: 1625/2 SPD.  
 TYPE: UF  
 FRAME: 48Y  
 VOLTS: 115  
 PH: 1  
 AMPS: 2.4  
 HZ: 60  
 INS: B  
 AMB: 40°C  
 DUTY: AIR OVER  
 CAP.: 5 MFD/370V  
 UL & CSA LOGO  
 THERMALLY PROTECTED



614131-180

		.25
		[6.4]
		.25
		[6.4]
	24.0/26.0	.50
	[610/660]	[12.7]
	24.0/26.0	.50
	[610/660]	[12.7]
	24.0/26.0	.50
	[610/660]	[12.7]

					CSA
C32387	9.9 OZ. FT.	0442584B	E46412	PRGY2	LR43341 4211-01

- 形位公差
- 平面度
- 直线度
- ∠ 倾斜度
- ⊥ 垂直度
- // 平行度
- 圆度
- ⊘ 圆柱度
- △ 面轮廓度
- ⌒ 线轮廓度
- ↗ 圆跳动
- ⊕ 位置度
- ⊙ 同轴度
- ≡ 对称度

ASME Y14.5M 1994

**REGAL-BELOIT CORPORATION (RBC)** 在个别领域为客户提供技术支持。鉴于RBC未收到任何涉及电机使用和应用环境的数据，电机的适用性由客户自己决定。

未注公差尺寸仅供参考。

绘图:	DZ	02-16-2011
批准:	DZ	02-16-2011
第三角投影		图纸格式发布日期 11-11-2011 图纸格式版本 G
机密: 本图纸及相关信息所有权归REGAL-BELOIT CORPORATION。未经REGAL-BELOIT CORPORATION书面授权, 不得泄露、复制、传播或作其他用途。一版权所有		

**REGAL-BELOIT CORPORATION**

名称: MODEL-RFHP-48FR  
OUTLINE

图幅: C 图号: F48V51A01

比例: NONE 页号: 1