

4

3

2

1

REV	ECO	REV BY	DATE	APPD	DATE
B	0025543	I. ORTIZ	04-26-2012	D. BALDERRAMA	04-26-2012

GENERAL INFORMATION:

SHAFT RUNOUT: .001 [.03] T.I.R. PER INCH LENGTH OF EXTENSION

END PLAY: .010 TO .063 [.25 TO 1.60]

BEARINGS: SLEEVE

MOUNTING POSITION: ALL ANGLE

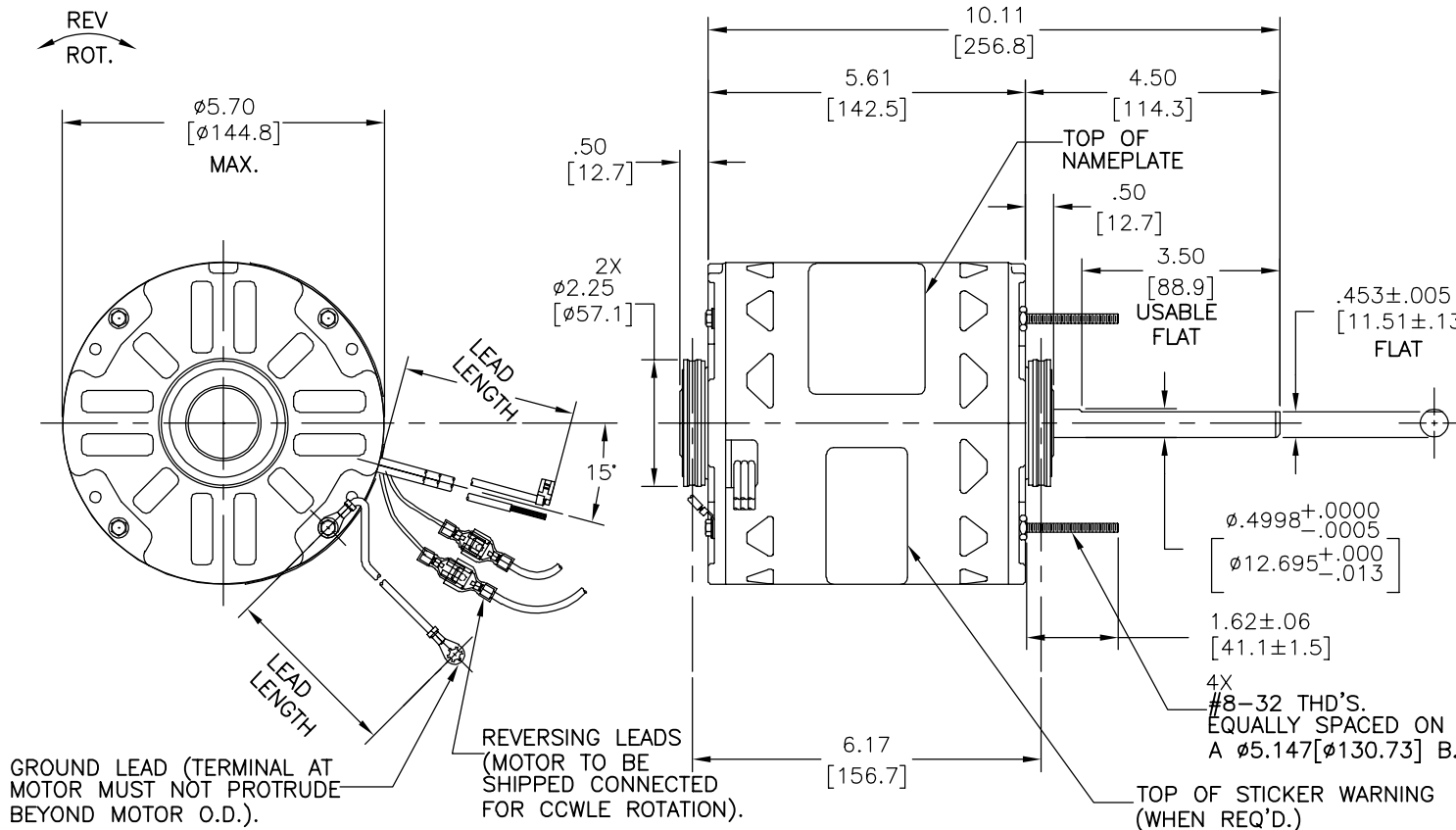
ELECTRICAL DATA:

OVERLOAD PROTECTOR: AUTOMATIC RESET (T.I. 7AM 036)

LEADS: NO. 18 GA., .06 [1.5] THK., 105°C INSUL.

REVERSING LEADS: NO. 18 GA., .03 [.8] THK., 125°C INSUL.

GROUND LEADS: NO. 18 GA., .03 [.8] THK., (GREEN) INSUL.



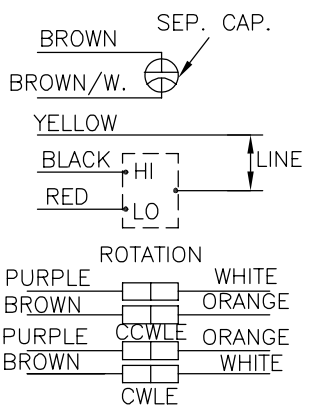
GROUND LEAD (TERMINAL AT MOTOR MUST NOT PROTRUDE BEYOND MOTOR O.D.).

REVERSING LEADS (MOTOR TO BE SHIPPED CONNECTED FOR CCWLE ROTATION).

NAMEPLATE DATA:

EXTERNAL CONNECTION DIAGRAM

MODEL NO.: F48M87A01  
 CUST. P/N:   
 HP: 3/4  
 ROT: REVERSIBLE  
 RPM: 1075/2 SPD.  
 TYPE: UF  
 FRAME: 48Y  
 VOLTS: 115  
 PH: 1  
 AMPS: 8.9 (10.3 MAX)  
 HZ: 60  
 INS: B  
 AMB: 50°C  
 DUTY: AIR OVER  
 CAP.: 15 MFD/370V  
 ENCL: OPEN  
 CSA LOGO  
 UL LOGO  
 THERMALLY PROTECTED



\* C24158 EXCEPT HI & LO SPEEDS ONLY

614131-171

GREEN (GRD)	12/13 [305/330]	10# EYELET
BROWN (REV)	4.5/5.5 [114/140]	.25[6.4]. FEMALE INSUL SPADE
WHITE (REV)	4.5/5.5 [114/140]	.25[6.4]. MALE INSUL. SPADE
ORANGE (REV)	4.5/5.5 [114/140]	.25[6.4]. MALE INSUL. SPADE
PURPLE (REV)	4.5/5.5 [114/140]	.25[6.4]. FEMALE INSUL SPADE
BROWN	26/28 [660/711]	.25[6.4] FLAG
BROWN/WHITE	26/28 [660/711]	.25[6.4] FLAG
YELLOW	26/28 [660/711]	.50[12.7] SKIN
BLACK	26/28 [660/711]	.50[12.7] SKIN
RED	26/28 [660/711]	.50[12.7] SKIN
COLOR	LENGTH	TERMINAL OR STRIP LENGTH

- NOTE:
- SNAP RINGS 615035 (4 REQ'D) TO BE PACKED WITH EACH MOTOR
  - DISTRIBUTION PART NUMBER: DL007  
GRAINGER PART NUMBER: 4KA30

MAIN FR. - OLE	OPEN
END FR. - OLE	OPEN
MAIN FR. - LE	OPEN
END FR. - LE	OPEN

CUST.	DISTRIBUTION SERVICES
-------	-----------------------

PERFORMANCE CURVE NO.	TORQUE @ 1075 RPM (25°C)	APPROVED SAMPLE	UL COMPONENT FILE #	CSA GUIDE #
*	64.6 OZ. FT.	-----	E46412 PRGY2	LR43341 260-0-0

GEOMETRIC CHARACTERISTICS & SYMBOLS  
 ▽ FLATNESS  
 - STRAIGHTNESS  
 < ANGLARITY  
 ⊥ PERPENDICULARITY (SQUARENESS)  
 // PARALLELISM  
 ○ ROUNDNESS (CIRCULARITY)  
 ∅ CYLINDRICITY  
 △ PROFILE OF ANY SURFACE  
 ∩ PROFILE OF ANY LINE  
 ↗ RUNOUT  
 ⊕ TRUE POSITION  
 ⊙ CONCENTRICITY  
 = SYMMETRY

REGAL-BELOIT CORPORATION (RBC) PROVIDES TECHNICAL ASSISTANCE TO OUR CUSTOMERS IN SEVERAL AREAS. SINCE RBC DOES NOT RECEIVE ALL DATA CONCERNING THE USE AND APPLICATION OF THE MOTOR, THE SUITABILITY OF THE MOTOR FOR THE APPLICATION MUST BE DETERMINED BY THE CUSTOMER.

DIMENSIONS WITHOUT TOLERANCES ARE FOR REFERENCE ONLY.

DR BY:	D M JONES	03-15-1999
APPD:	J P MU	03-15-1999
THIRD ANGLE PROJECTION	EDS DATE 11-11-2011 FORMAT REV G	

CONFIDENTIAL: THIS DRAWING AND ITS INFORMATION ARE THE EXCLUSIVE AND CONFIDENTIAL PROPERTY OF REGAL-BELOIT CORPORATION AND ARE NOT TO BE DISCLOSED, DUPLICATED, DISTRIBUTED OR OTHERWISE USED WITHOUT THE WRITTEN CONSENT OF REGAL-BELOIT CORPORATION. -ALL RIGHTS RESERVED.

DESCRIPTION	
MODEL-RFHP-48FR OUTLINE	
SIZE	DWG NO
C	11760-082
SCALE	SHEET
NONE	1

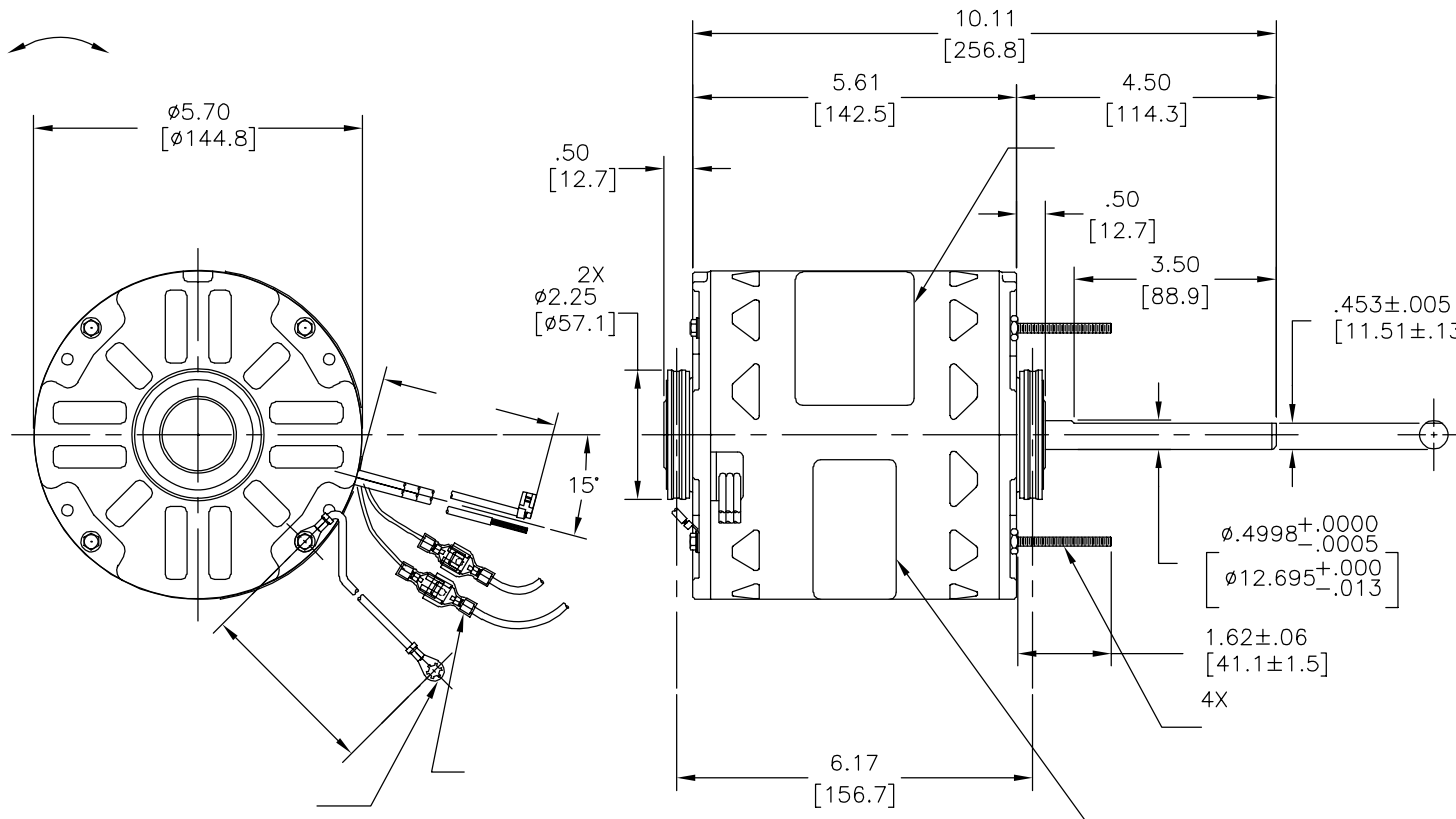
4

3

2

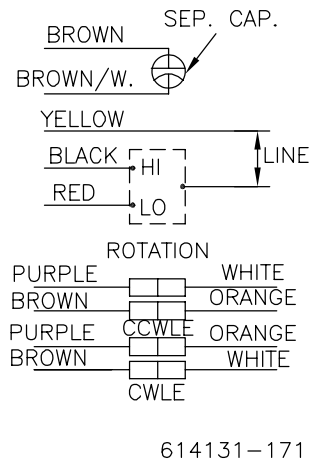
1

REVISION:	ECO	REVISADO POR:	FECHA:	APROBADO POR:	FECHA:
B	0025543	I. ORTIZ	04-26-2012	D. BALDERRAMA	04-26-2012



SEE NOTE 2

MODEL NO.: F48M87A01  
 CUST. P/N: □□□□  
 HP: 3/4  
 ROT: REVERSIBLE  
 RPM: 1075/2 SPD.  
 TYPE: UF  
 FRAME: 48Y  
 VOLTS: 115  
 PH: 1  
 AMPS: 8.9 (10.3 MAX)  
 HZ: 60  
 INS: B  
 AMB: 50°C  
 DUTY: AIR OVER  
 CAP.: 15 MFD/370V  
 ENCL: OPEN  
 CSA LOGO  
 UL LOGO  
 THERMALLY PROTECTED



	12/13	
	[305/330]	
	4.5/5.5	.25[6.4].
	[114/140]	
	4.5/5.5	.25[6.4].
	[114/140]	
	4.5/5.5	.25[6.4].
	[114/140]	
	4.5/5.5	.25[6.4].
	[114/140]	
	26/28	.25[6.4]
	[660/711]	
	26/28	.25[6.4]
	[660/711]	
	26/28	.50[12.7]
	[660/711]	
	26/28	.50[12.7]
	[660/711]	
	26/28	.50[12.7]
	[660/711]	


DISTRIBUTION SERVICES

CARACTERISTICAS DE GEOMETRIA Y SIMBOLOS  
 ▽ PLANICIDAD  
 — RECTITUD  
 ∠ ANGULARIDAD  
 ⊥ PERPENDICULARIDAD (A ESCUADRA)  
 // PARALELISMO  
 ○ REDONDEZ (CIRCULARIDAD)  
 ∅ CILINDRICIDAD  
 △ PERFIL DE CUALQUIER SUPERFICIE  
 ∩ PERFIL DE CUALQUIER LINEA  
 ↗ VARIACION  
 ⊕ POSICION REAL  
 ⊙ CONCENTRICIDAD  
 = SIMETRIA  
 ASME Y14.5M 1994

REGAL-BELOIT CORPORATION (RBC)  
 PROVEE ASISTENCIA TECNICA A  
 NUESTROS CLIENTES EN VARIAS AREAS.  
 DESDE QUE RBC NO RECIBE TODOS  
 LOS DATOS EN RELACION AL USO Y A  
 LA APLICACION DEL MOTOR, LA  
 APLICACION ADECUADA DEL MOTOR  
 DEBE SER DETERMINADA POR EL  
 CLIENTE.

DIMENSIONES SIN TOLERANCIA SON  
 DE REFERENCIA SOLAMENTE

DIBUJADO POR:  
 D M JONES  
 03-15-1999

APROBADO POR:  
 J P MU  
 03-15-1999

TERCER ANGULO  
 DE PROYECCION

CONFIDENCIAL: ESTE DIBUJO Y SU INFORMACION  
 SON PROPIEDAD DE USO EXCLUSIVO Y CONFIDENCIAL DE  
 REGAL-BELOIT CORPORATION. Y NO DEBERAN SER REVELADOS,  
 DUPLICADOS, DISTRIBUIDOS O USARSE DE OTRA MANERA  
 SIN EL CONSENTIMIENTO ESCRITO DE REGAL-BELOIT  
 CORPORATION. -TODOS LOS DERECHOS RESERVADOS.



DESCRIPCION:  
 MODEL-RFHP-48FR  
 OUTLINE

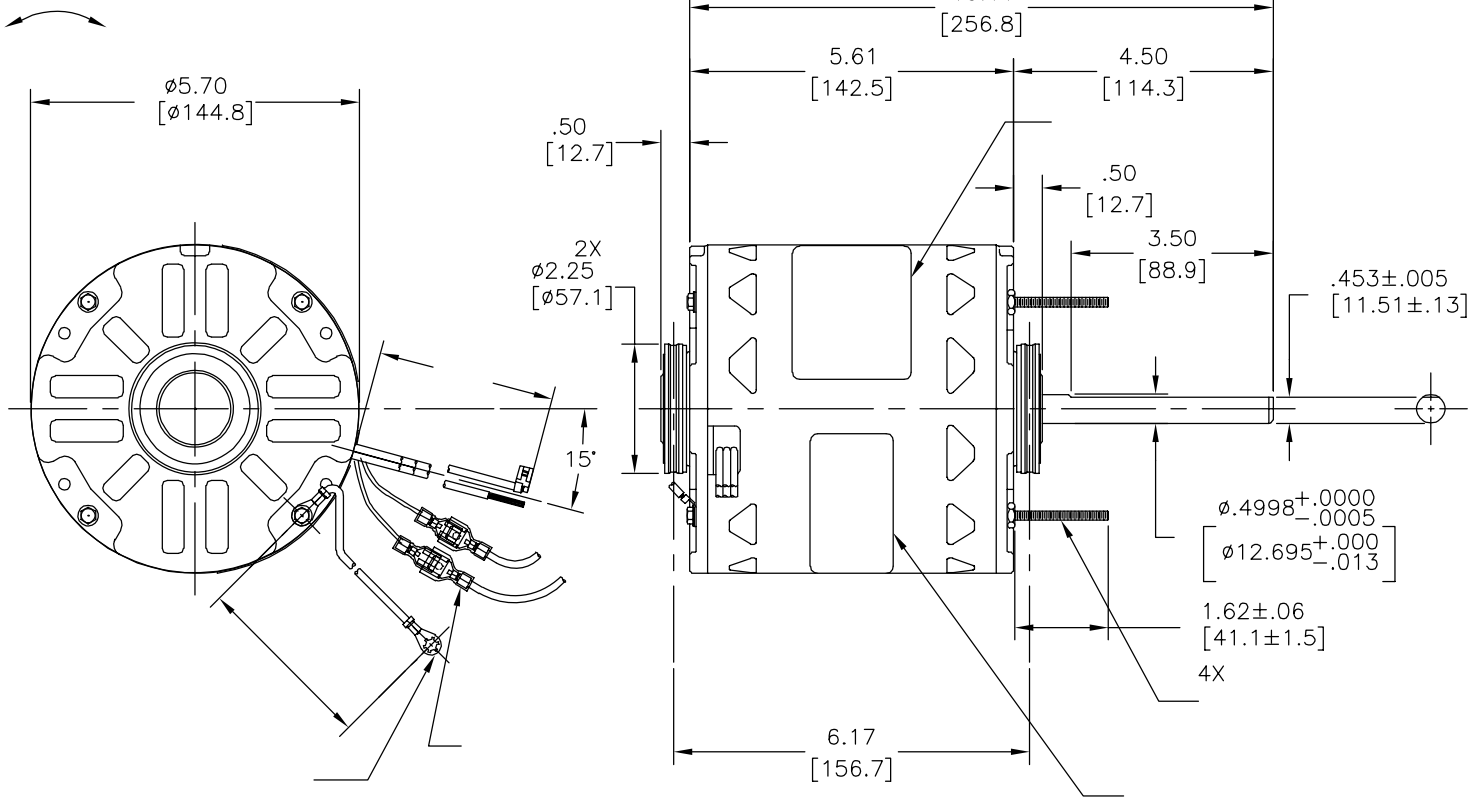
TAMAÑO: C NUMERO DE DIBUJO:  
 11760-082

ESCALA: NONE HOJA: 1

4 3 2 1

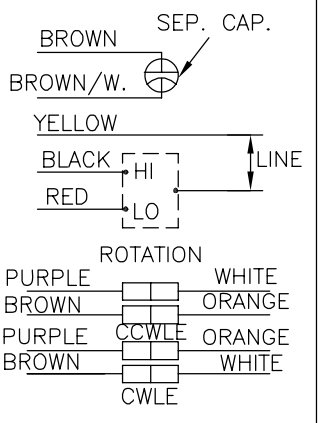
版本	ECO	编制	日期	批准	日期
B	0025543	I. ORTIZ	04-26-2012	D. BALDERRAMA	04-26-2012

D  
C  
B  
A



SEE NOTE 2

MODEL NO.: F48M87A01  
 CUST. P/N: □□□□  
 HP: 3/4  
 ROT: REVERSIBLE  
 RPM: 1075/2 SPD.  
 TYPE: UF  
 FRAME: 48Y  
 VOLTS: 115  
 PH: 1  
 AMPS: 8.9 (10.3 MAX)  
 HZ: 60  
 INS: B  
 AMB: 50°C  
 DUTY: AIR OVER  
 CAP.: 15 MFD/370V  
 ENCL: OPEN  
 CSA LOGO  
 UL LOGO  
 THERMALLY PROTECTED



614131-171

	12/13	
	[305/330]	
	4.5/5.5	.25[6.4].
	[114/140]	
	4.5/5.5	.25[6.4].
	[114/140]	
	4.5/5.5	.25[6.4].
	[114/140]	
	4.5/5.5	.25[6.4].
	[114/140]	
	26/28	.25[6.4]
	[660/711]	
	26/28	.25[6.4]
	[660/711]	
	26/28	.50[12.7]
	[660/711]	
	26/28	.50[12.7]
	[660/711]	
	26/28	.50[12.7]
	[660/711]	


DISTRIBUTION SERVICES

- 形位公差
- 平面度
- 直线度
- ∠ 倾斜度
- ⊥ 垂直度
- ∥ 平行度
- 圆度
- ⊙ 圆柱度
- ⌒ 面轮廓度
- ⌒ 线轮廓度
- ↻ 圆跳动
- ⊕ 位置度
- ⊙ 同轴度
- ≡ 对称度

ASME Y14.5M 1994

REGAL-BELOIT CORPORATION (RBC) 在个别领域为客户提供技术支持。鉴于RBC未收到任何涉及电机使用和应用环境的数据，电机的适用性由客户自己决定。

未注公差尺寸仅供参考。

绘图:	D M JONES	03-15-1999
批准:	J P MU	03-15-1999
第三角投影		图纸格式发布日期 11-11-2011 图纸格式版本 G
机密: 本图纸及相关信息所有权归REGAL-BELOIT CORPORATION。未经REGAL-BELOIT CORPORATION书面授权, 不得泄露、复制、传播或作其他用途。一版权所有		



名称  
MODEL-RFHP-48FR  
OUTLINE

图幅	C	图号	11760-082
比例	NONE	页号	1

A

4 3 2 1