

REV	ECO	REV BY	DATE	APPD	DATE
E	0025543	I. ORTIZ	04-26-2012	D. BALDERRAMA	04-26-2012

**GENERAL INFORMATION:**

SHAFT RUNOUT: .001 [.03] T.I.R. PER INCH LENGTH OF EXTENSION

END PLAY: .010 TO .063 [.25 TO 1.60]

BEARINGS: SLEEVE

MOUNTING POSITION: HORIZONTAL

**ELECTRICAL DATA:**

OVERLOAD PROTECTOR: AUTOMATIC RESET (T.I. 7AM 036)

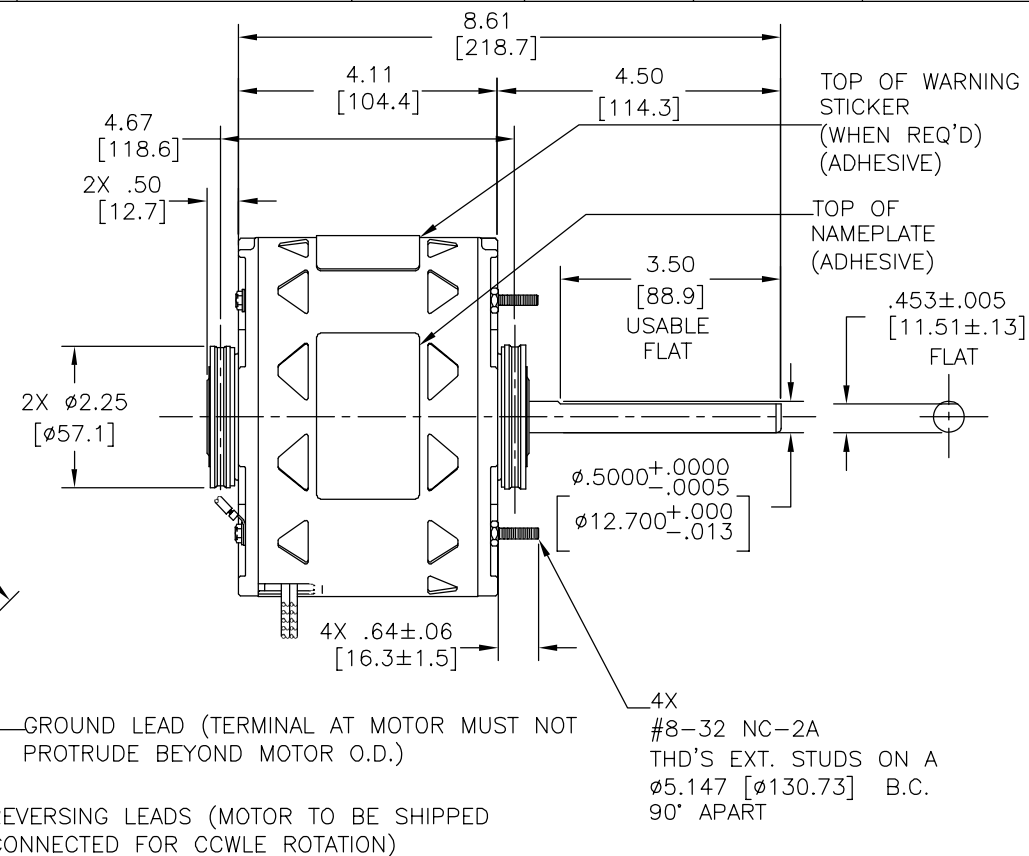
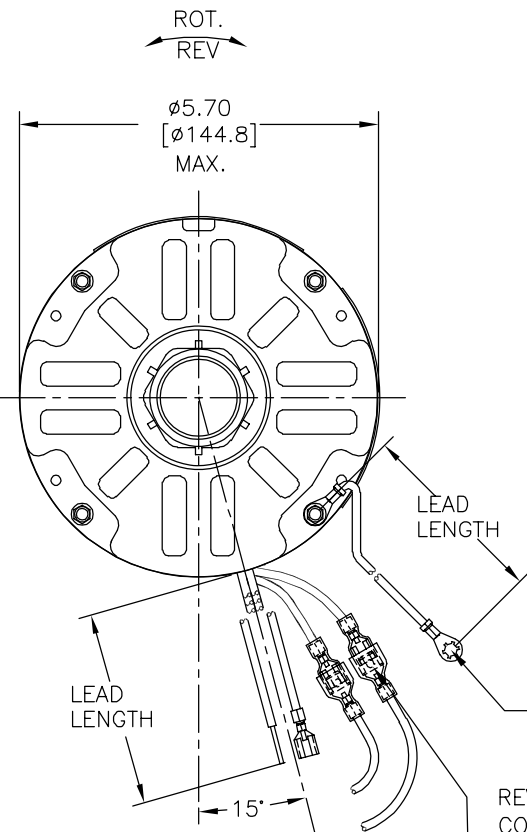
LINE LEADS: NO. 18 GA., .06 [1.5] THK., PVC 125°C INSUL.

REVERSING LEADS: NO. 18 GA., .03 [.8] THK., CROSS-LINKED POLYETHELENE 125°C INSUL.

GROUND LEADS: NO. 18 GA., .03 [.8] THK., (GREEN)INSUL.

**NOTE:**

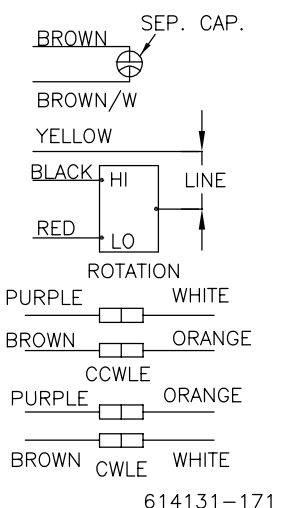
- 4X SPLIT RING ADAPTOR 615035 TO BE PACKED WITH EACH MOTOR.
- DISTRIBUTION:CUST P/N: DLO01  
GRAINGER:CUST P/N: 4KA24



**NAMEPLATE DATA:**

**EXTERNAL CONNECTION DIAGRAM**

MODEL: F48N02A01  
CUST. P/N: [ ]  
HP: 1/4  
ROT: REVERSIBLE  
RPM: 1075/2 SPD  
TYPE: UF  
FRAME: 48Y  
VOLTS: 115  
PH: 1  
AMPS: 3.5 (4.6 MAX.)  
HZ: 60  
INS: B  
AMB: 40 °C  
DUTY: AIR OVER  
CODE: -  
CAP.: 5 MFD/370V  
ENCL: OPEN  
UL LOGO  
CSA LOGO  
THERMALLY PROTECTED



GREEN (GRD)	9.0/11.0 [229/279]	10# EYELET
WHITE (REV)	4.0/6.0 [102/152]	.25[6.4] PER-INSUL. FEMALE SPADE
PURPLE(REV)	4.0/6.0 [102/152]	.25[6.4] PER-INSUL. FEMALE SPADE
ORANGE(REV)	4.0/6.0 [102/152]	.25[6.4] PER-INSUL. FEMALE SPADE
BROWN (REV)	4.0/6.0 [102/152]	.25[6.4] PER-INSUL. FEMALE SPADE
BROWN	25.0/27.0 [635/686]	.25[6.4] FEMALE SPADE
BROWN/WHITE	25.0/27.0 [635/686]	.25[6.4] FEMALE SPADE
YELLOW	25.0/27.0 [635/686]	.60[15.2] SKIN
BLACK	25.0/27.0 [635/686]	.60[15.2] SKIN
RED	25.0/27.0 [635/686]	.60[15.2] SKIN
COLOR	LENGTH	TERMINAL OR STRIP LENGTH

MAIN FRAME - OLE	OPEN
END FRAME - OLE	OPEN
MAIN FRAME - LE	OPEN
END FRAME - LE	OPEN

CUSTOMER	DISTRIBUTION SERVICES
----------	-----------------------

PERFORMANCE CURVE NO.	TORQUE @ 1075 RPM (25°C)	APPROVED SAMPLE	UL COMPONENT FILE #	CCN #	CSA FILE #	CLASS #
C31378	27.1 OZ.FT.	---	E46412	PRGY2	LR43341	4211-01

**GEOMETRIC CHARACTERISTICS & SYMBOLS**  
 □ FLATNESS  
 - STRAIGHTNESS  
 < ANGLARITY  
 ⊥ PERPENDICULARITY (SQUARENESS)  
 // PARALLELISM  
 ○ ROUNDNESS (CIRCULARITY)  
 ∅ CYLINDRICITY  
 △ PROFILE OF ANY SURFACE  
 ∩ PROFILE OF ANY LINE  
 ↗ RUNOUT  
 ⊕ TRUE POSITION  
 ⊙ CONCENTRICITY  
 = SYMMETRY  
 ASME Y14.5M 1994

REGAL-BELOIT CORPORATION (RBC) PROVIDES TECHNICAL ASSISTANCE TO OUR CUSTOMERS IN SEVERAL AREAS. SINCE RBC DOES NOT RECEIVE ALL DATA CONCERNING THE USE AND APPLICATION OF THE MOTOR, THE SUITABILITY OF THE MOTOR FOR THE APPLICATION MUST BE DETERMINED BY THE CUSTOMER.  
 DIMENSIONS WITHOUT TOLERANCES ARE FOR REFERENCE ONLY.

DR BY: D M JONES 04-06-1999  
 APPD: J P MU 04-06-1999  
 THIRD ANGLE PROJECTION  
 EDS DATE 11-11-2011  
 FORMAT REV G  
 CONFIDENTIAL: THIS DRAWING AND ITS INFORMATION ARE THE EXCLUSIVE AND CONFIDENTIAL PROPERTY OF REGAL-BELOIT CORPORATION AND ARE NOT TO BE DISCLOSED, DUPLICATED, DISTRIBUTED OR OTHERWISE USED WITHOUT THE WRITTEN CONSENT OF REGAL-BELOIT CORPORATION. -ALL RIGHTS RESERVED.

**REGAL-BELOIT CORPORATION**

DESCRIPTION: MODEL-RFHP-48FR OUTLINE

SIZE: C DWG NO: 11760-087

SCALE: NONE SHEET: 1

4

3

2

1

REVISION:	ECO	REVISADO POR:	FECHA:	APROBADO POR:	FECHA:
E	0025543	I. ORTIZ	04-26-2012	D. BALDERRAMA	04-26-2012

**INFORMACION GENERAL:**

OSCILACION DE FLECHA .001 [.03] L.T.I. LONGITUD DE EXTENSION POR PULGADA.

JUEGO AXIAL: .010 A .063 [.25 A 1.60]

BALEROS: CHUMACERA RIGIDA

POSICION DEL MONTAJE: HORIZONTAL

**INFORMACION ELECTRICA:**

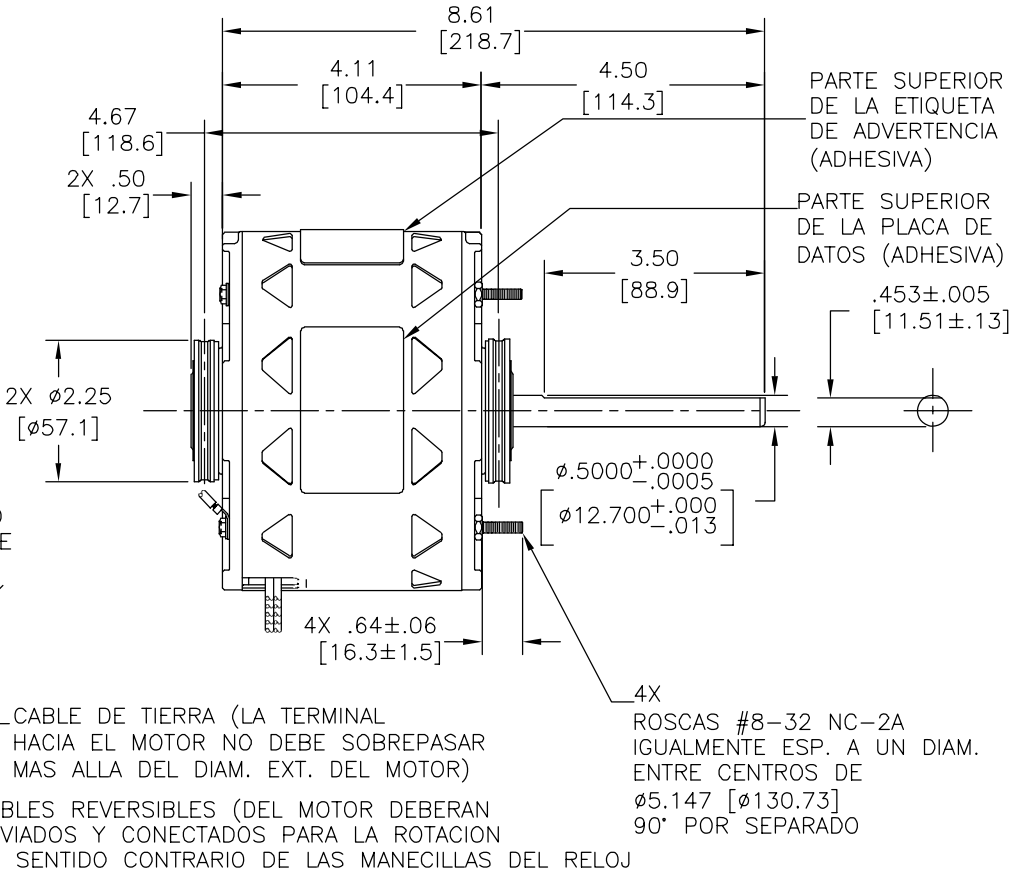
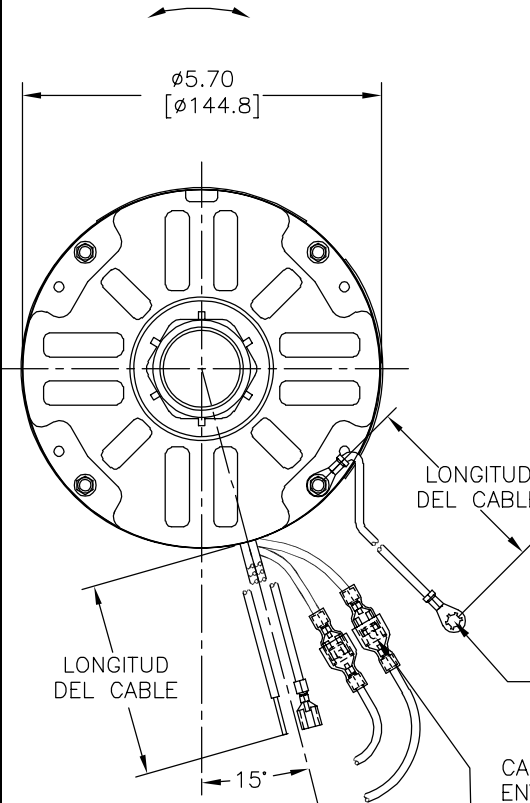
PROTECTOR DE SOBRECARGA: REINICIO AUTOMATICO (T.I. 7AM 036)

CABLES EN LINE: CAL NO. 18, .06 [1.5] DE ESPESOR PVC 105°C AISLAM.

CABLES REVERSIBLES: CAL NO. 18, .03 [.8] DE ESPESOR LIGADO EN CRUZ POLYETHELENE 125°C AISLAM.

CABLE DE TIERRA: CAL NO. 18, .03 [.8] DE ESPESOR (VERDE) AISLAM.

- NOTA:
- 4X RAMAL DEL ANILLO ADAPTADOR DEBERA SER 615035 Y ENPACADO CON UNA PIEZA DEL MOTOR.
  - DISTRIBUCION: CLEINTE P/N: DLO01 GRAINGER:CLIENTE P/N: 4KA24



CABLE DE TIERRA (LA TERMINAL HACIA EL MOTOR NO DEBE SOBREPASAR MAS ALLA DEL DIAM. EXT. DEL MOTOR)

CABLES REVERSIBLES (DEL MOTOR DEBERAN ENVIADOS Y CONECTADOS PARA LA ROTACION EN SENTIDO CONTRARIO DE LAS MANECILLAS DEL RELOJ)

4X ROSCAS #8-32 NC-2A IGUALMENTE ESP. A UN DIAM. ENTRE CENTROS DE Ø5.147 [Ø130.73] 90° POR SEPARADO

VER NOTA 2

INFORMACION DE ETIQUETA:	DIAGRAMA DE CONEXION EXTERNA
MODEL: F48N02A01 CUST. P/N: [-----] HP: 1/4 ROT: REVERSIBLE RPM: 1075/2 SPD TYPE: UF FRAME: 48Y VOLTS: 115 PH: 1 AMPS: 3.5 (4.6 MAX.) HZ: 60 INS: B AMB: 40 °C DUTY: AIR OVER CODE: - CAP.: 5 MFD/370V ENCL: OPEN UL LOGO CSA LOGO THERMALLY PROTECTED	

VERDE (TIERRA)	9.0/11.0 [229/279]	OJAL #10
BLANCO (REV)	4.0/6.0 [102/152]	.25 [6.4] TERMINAL ESPADE HEMBRA
MORADO (REV)	4.0/6.0 [102/152]	.25 [6.4] TERMINAL ESPADE HEMBRA
NARANJA (REV)	4.0/6.0 [102/152]	.25 [6.4] TERMINAL ESPADE HEMBRA
CAFE (REV)	4.0/6.0 [102/152]	.25 [6.4] TERMINAL ESPADE HEMBRA
CAFE	25.0/27.0 [635/686]	.25 [6.4] TERMINAL ESPADE HEMBRA
CAFE/BLANCO	25.0/27.0 [635/686]	.25 [6.4] TERMINAL ESPADE HEMBRA
AMARILLO	25.0/27.0 [635/686]	.60 [15.2] FORRO
NEGRO	25.0/27.0 [635/686]	.60 [15.2] FORRO
ROJO	25.0/27.0 [635/686]	.60 [15.2] FORRO
COLOR	LONGITUD	TERMINAL O LONGITUD DE DESFORRE

DE CARCASA - OLE	ABIERTO
DE TAPA - OLE	ABIERTO
DE CARCASA - LE	ABIERTO
DE TAPA - LE	ABIERTO

CLIENTE	SERVICIOS DISTRIBUCION
---------	------------------------

CURVAS DE FUNCIONAMIENTO	TORSION @ 1075 RPM (25°C)	MUESTRA APROBADA	COMPONENTE UL	CSA
C31378	27.1 OZ.FT.	---	#ARCHIVO PRGY2 LR43341	#CLASE 4211-01

CARACTERISTICAS DE GEOMETRIA Y SIMBOLOS

- PLANICIDAD
- RECTITUD
- ∠ ANGULARIDAD
- ⊥ PERPENDICULARIDAD (A ESCUADRA)
- // PARALELISMO
- REDONDEZ (CIRCULARIDAD)
- ∅ CILINDRICIDAD
- △ PERFIL DE CUALQUIER SUPERFICIE
- ∧ PERFIL DE CUALQUIER LINEA
- ∧ VARIACION
- ⊕ POSICION REAL
- ◎ CONCENTRICIDAD
- = SIMETRIA

ASME Y14.5M 1994

REGAL-BELOIT CORPORATION (RBC) PROVEE ASISTENCIA TECNICA A NUESTROS CLIENTES EN VARIAS AREAS. DESDE QUE RBC NO RECIBE TODOS LOS DATOS EN RELACION AL USO Y A LA APLICACION DEL MOTOR, LA APLICACION ADECUADA DEL MOTOR DEBE SER DETERMINADA POR EL CLIENTE.

DIMENSIONES SIN TOLERANCIA SON DE REFERENCIA SOLAMENTE

DIBUJADO POR: D M JONES 04-06-1999

APROBADO POR: J P MU 04-06-1999

TERCER ANGULO DE PROYECCION

FECHA EDS: 11-11-2011

REV. FORMATO: G

CONFIDENCIAL: ESTE DIBUJO Y SU INFORMACION SON PROPIEDAD DE USO EXCLUSIVO Y CONFIDENCIAL DE REGAL-BELOIT CORPORATION. Y NO DEBERAN SER REVELADOS, DUPLICADOS, DISTRIBUIDOS O USARSE DE OTRA MANERA SIN EL CONSENTIMIENTO ESCRITO DE REGAL-BELOIT CORPORATION. -TODOS LOS DERECHOS RESERVADOS.

**REGAL-BELOIT CORPORATION**

DESCRIPCION: MODEL-RFHP-48FR OUTLINE

TAMAÑO: C NUMERO DE DIBUJO: 11760-087

ESCALA: NONE HOJA: 1

4

3

2

1

4

3

2

1

版本	ECO	编制	日期	批准	日期
E	0025543	I. ORTIZ	04-26-2012	D. BALDERRAMA	04-26-2012

**总要求:**

轴跳动: .001/1 [.03/25.4] (外伸轴)

端部窜动量: .010 - .063 [.25 - 1.60]

轴承: 含油轴承

安装位置: 水平

**电气数据:**

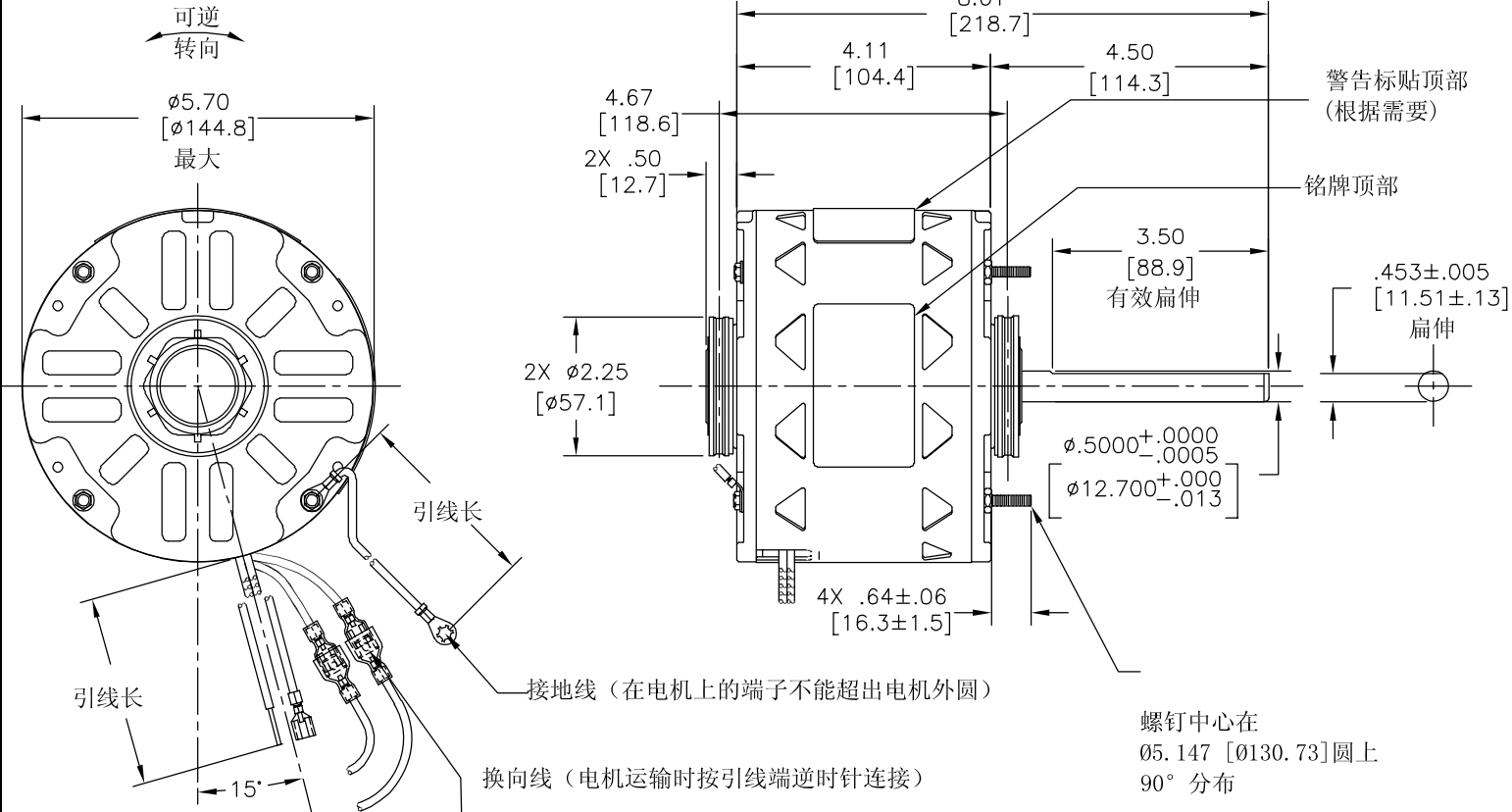
过载保护: 自动复位 (T. I. 7AM 036)

引线: 18 GA., .06[1.5] 厚. 125° C 绝缘

换向引线: 18 GA., .03[.8] 厚. 聚乙烯 125° C 绝缘

接地线: 18 GA., .03 [.8] 厚. (绿色) 绝缘

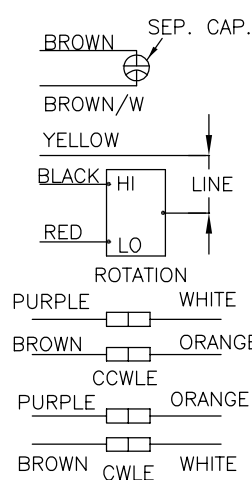
**技术要求:**  
 每台电机包装时附带4个减振圈 (680198-001).  
 DISTRIBUTION:CUST P/N: DL001  
 GRAINGER:CUST P/N: 4KA24



铭牌数据

外部连接详图

MODEL: F48N02A01  
 CUST. P/N: [ ]  
 HP: 1/4  
 ROT: REVERSIBLE  
 RPM: 1075/2 SPD  
 TYPE: UF  
 FRAME: 48Y  
 VOLTS: 115  
 PH: 1  
 AMPS: 3.5 (4.6 MAX.)  
 HZ: 60  
 INS: B  
 AMB: 40 °C  
 DUTY: AIR OVER  
 CODE: -  
 CAP.: 5 MFD/370V  
 ENCL: OPEN  
 UL LOGO  
 CSA LOGO  
 THERMALLY PROTECTED



绿色 (接地)	9.0/11.0 [229/279]	10# 端子
白色 (换向)	4.0/6.0 [102/152]	.25[6.4] 母铲形插带绝缘套
紫色 (换向)	4.0/6.0 [102/152]	.25[6.4] 母铲形插带绝缘套
橙色 (换向)	4.0/6.0 [102/152]	.25[6.4] 母铲形插带绝缘套
棕色 (换向)	4.0/6.0 [102/152]	.25[6.4] 母铲形插带绝缘套
棕色	25.0/27.0 [635/686]	.25[6.4] 母铲形插
棕色/白色	25.0/27.0 [635/686]	.25[6.4] 母铲形插
黄色	25.0/27.0 [635/686]	.60[15.2] 剥线长
黑色	25.0/27.0 [635/686]	.60[15.2] 剥线长
红色	25.0/27.0 [635/686]	.60[15.2] 剥线长
颜色	长度	端子或剥线长度

非引线端机壳	开放
非引线端端盖	开放
引线端机壳	开放
引线端端盖	开放

用户

B

A

性能曲线编号	转矩在1075RPM (25° C)	批准样品	UL部件			
C31378	27.1 OZ.FT.	---	文件号	指南	文件号	指南
			E46412	PRGY2	LR43341	4211-01

- 形位公差
- 平面度
- 直线度
- ∠ 倾斜度
- ⊥ 垂直度
- // 平行度
- 圆度
- ⊙ 圆柱度
- ⊘ 面轮廓度
- △ 线轮廓度
- ↗ 圆跳动
- ⊕ 位置度
- ⊙ 同轴度
- ≡ 对称度

ASME Y14.5M 1994

REGAL-BELOIT CORPORATION (RBC) 在个别领域为客户提供技术支持。鉴于RBC未收到任何涉及电机使用和应用环境的数据, 电机的适用性由客户自己决定。

未注公差尺寸仅供参考。

绘图:	D M JONES	04-06-1999
批准:	J P MU	04-06-1999
第三角投影		图纸格式发布日期 11-11-2011 图纸格式版本 G
机密:	本图纸及相关信息所有权归REGAL-BELOIT CORPORATION。未经REGAL-BELOIT CORPORATION书面授权, 不得泄露、复制、传播或作其他用途。一版权所有	

名称: MODEL-RFHP-48FR OUTLINE

图幅: C 图号: 11760-087

比例: NONE 页号: 1

4

3

2

1