

4

3

2

1

GENERAL INFORMATION:

SHAFT RUNOUT: .001 [.03] T.I.R. PER INCH LENGTH OF EXTENSION

END PLAY: .010[.25] TO .063[1.60]

BEARINGS: SLEEVE

MOUNTING POSITION: HORIZONTAL

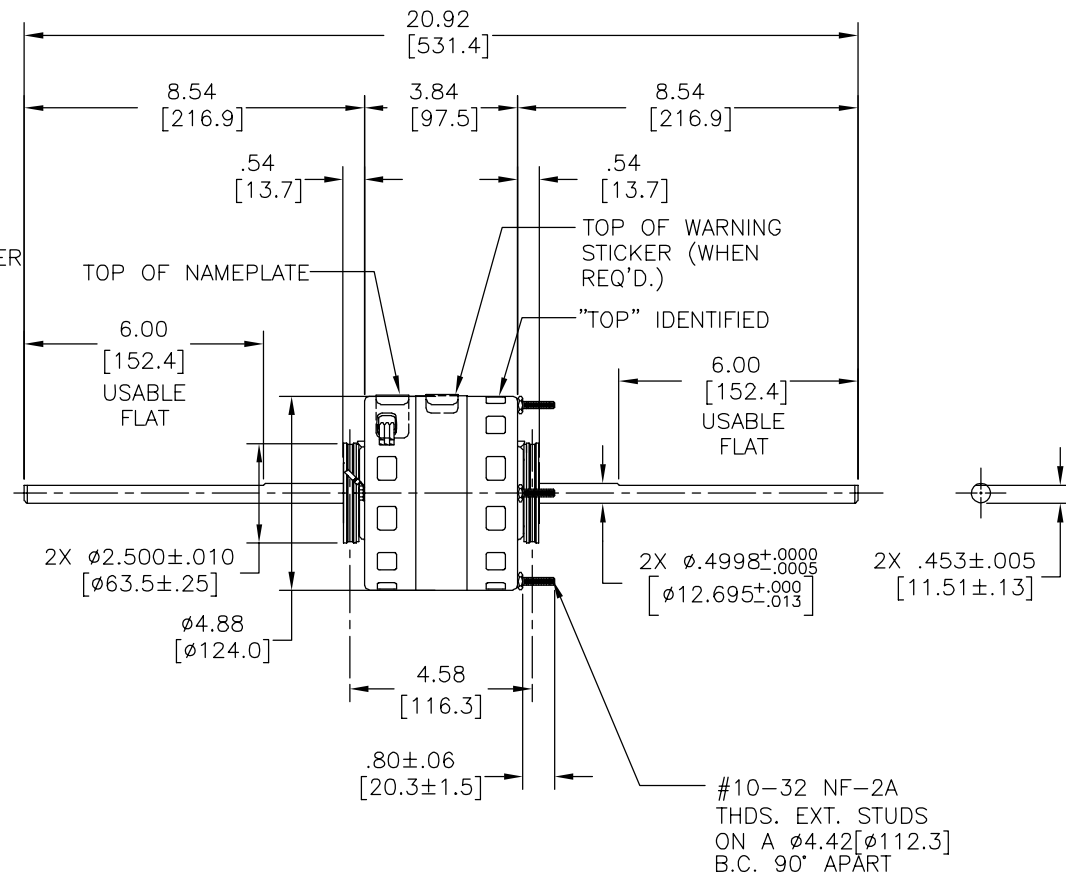
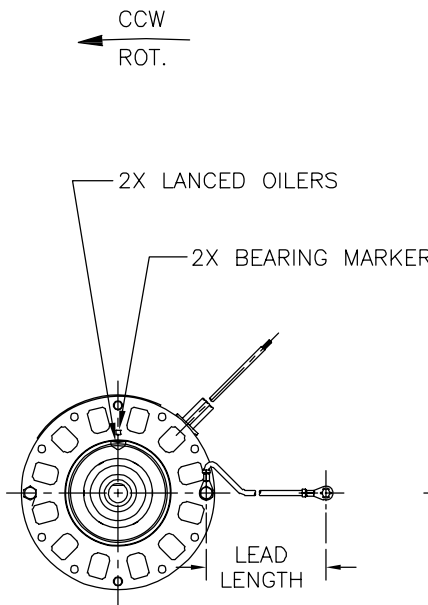
ELECTRICAL DATA:

OVERLOAD PROTECTOR: AUTOMATIC RESET (T.I. 7AM 304)

LEADS: NO. 18 GA., .03 [.8] THK., 125°C INSUL.

GROUND LEAD: NO. 18 GA., .03 [.8] THK. GREEN INSUL.

REV	ECO	REV BY	DATE	APPD	DATE
G	0026394	H.ZHOU	05-29-2012	B.SHEN	05-29-2012

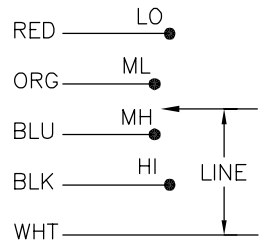


SEE NOTE 2

NAMEPLATE DATA:

EXTERNAL CONNECTION DIAGRAM

MODEL NO.: B42A90A01
 CUST. P/N: []
 HP: 1/6, 1/10, 1/12, 1/15
 ROT.: CCWLE
 RPM: 1550/4 SPD
 TYPE: FE
 FRAME: 42Y
 VOLTS: 115
 PH: 1
 AMPS: 4.0
 HZ: 60
 INS.: B
 AMB.: 40°C
 DUTY: AIR OVER
 CAP: -
 UL & CSA LOGO
 THERMALLY PROTECTED
 TYPE C



GREEN (GRD)	5.5/6.5 [140/165]	#10 EYELET
RED	29.0/31.0 [737/787]	.25 [6.4] SKIN
ORANGE	29.0/31.0 [737/787]	.25 [6.4] SKIN
BLUE	29.0/31.0 [737/787]	.25 [6.4] SKIN
BLACK	29.0/31.0 [737/787]	.25 [6.4] SKIN
WHITE	29.0/31.0 [737/787]	.25 [6.4] SKIN
COLOR	LENGTH	TERMINAL OR STRIP LENGTH

NOTE:

1. MOUNTING BASE AND 2X MOUNTING CLAMP ASSEMBLIES TO BE SHIPPED SEPARATELY IN EACH CARTON WITH MOTOR.
2. DISTRIBUTION PART NUMBER: DCL4423
GRAINGER PART NUMBER: 4UU51

MAIN FRAME - OLE	OPEN
END FRAME - OLE	OPEN
MAIN FRAME - LE	OPEN
END FRAME - LE	OPEN

CUST.	DISTRIBUTION SERVICE
-------	----------------------

PERFORMANCE CURVE NO.	TORQUE @ 1075 RPM (25°C)	APPROVED SAMPLE	UL COMPONENT FILE #	CCN #	CSA FILE #	CLASS #
C30180	9.6 OZ. FT.	A7009D	E46412	PRGY2	LR43341	4211-01

GEOMETRIC CHARACTERISTICS & SYMBOLS
 □ FLATNESS
 - STRAIGHTNESS
 < ANGLARITY
 ⊥ PERPENDICULARITY (SQUARENESS)
 // PARALLELISM
 ○ ROUNDNESS (CIRCULARITY)
 ∅ CYLINDRICITY
 △ PROFILE OF ANY SURFACE
 ∩ PROFILE OF ANY LINE
 ↗ RUNOUT
 ⊕ TRUE POSITION
 ⊙ CONCENTRICITY
 = SYMMETRY
 ASME Y14.5M 1994

REGAL-BELOIT CORPORATION (RBC) PROVIDES TECHNICAL ASSISTANCE TO OUR CUSTOMERS IN SEVERAL AREAS. SINCE RBC DOES NOT RECEIVE ALL DATA CONCERNING THE USE AND APPLICATION OF THE MOTOR, THE SUITABILITY OF THE MOTOR FOR THE APPLICATION MUST BE DETERMINED BY THE CUSTOMER.
 DIMENSIONS WITHOUT TOLERANCES ARE FOR REFERENCE ONLY.

DR BY: J WILLIAMS 08-11-2004
 APPD: J WILL 08-12-2004
 THIRD ANGLE PROJECTION
 EDS DATE 11-11-2011
 FORMAT REV H
 CONFIDENTIAL: THIS DRAWING AND ITS INFORMATION ARE THE EXCLUSIVE AND CONFIDENTIAL PROPERTY OF REGAL-BELOIT CORPORATION AND ARE NOT TO BE DISCLOSED, DUPLICATED, DISTRIBUTED OR OTHERWISE USED WITHOUT THE WRITTEN CONSENT OF REGAL-BELOIT CORPORATION. -ALL RIGHTS RESERVED.

REGAL REGAL-BELOIT CORPORATION
 DESCRIPTION: MODEL-RFHP-42FR OUTLINE
 SIZE: C DWG NO: 11927-051
 SCALE: NONE SHEET: 1

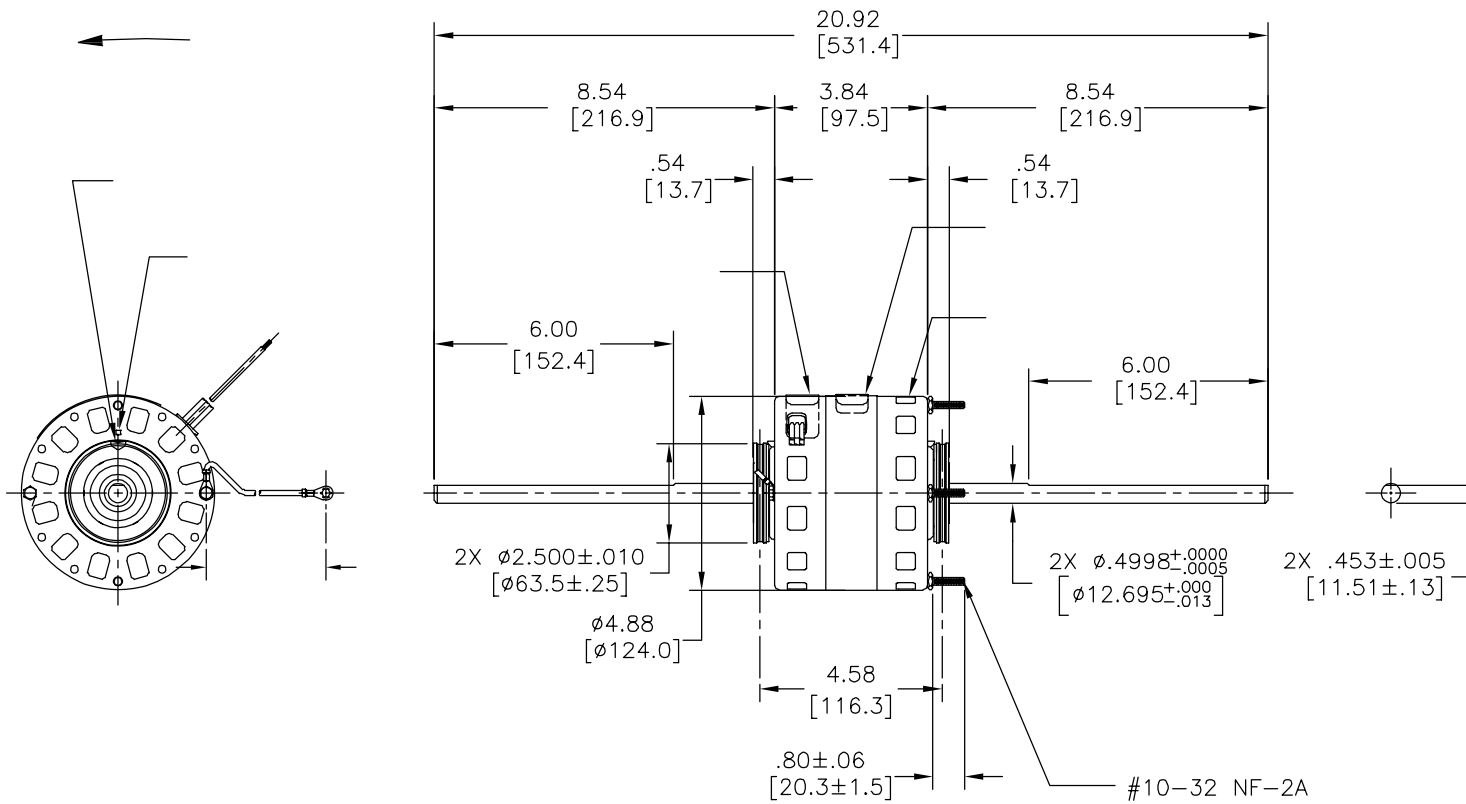
4

3

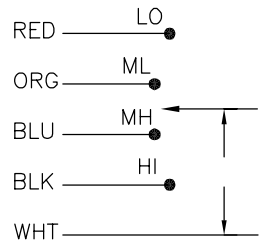
2

1

REVISION:	ECO	REVISADO POR:	FECHA:	APROBADO POR:	FECHA:
G	0026394	H.ZHOU	05-29-2012	B.SHEN	05-29-2012



MODEL NO.: B42A90A01
 CUST. P/N: []
 HP: 1/6,1/10,1/12,1/15
 ROT.: CCWLE
 RPM: 1550/4 SPD
 TYPE: FE
 FRAME: 42Y
 VOLTS: 115
 PH: 1
 AMPS: 4.0
 HZ: 60
 INS.: B
 AMB.: 40°C
 DUTY: AIR OVER
 CAP: -
 UL & CSA LOGO
 THERMALLY PROTECTED
 TYPE C



	5.5/6.5	
	[140/165]	
	29.0/31.0	.25 [6.4]
	[737/787]	
	29.0/31.0	.25 [6.4]
	[737/787]	
	29.0/31.0	.25 [6.4]
	[737/787]	
	29.0/31.0	.25 [6.4]
	[737/787]	

				CSA	
FILE #	CCN #	FILE #	CLASS #		
C30180	9.6 OZ. FT.	A7009D	E46412 PRGY2 LR43341	4211-01	

CARACTERISTICAS DE GEOMETRIA Y SIMBOLOS
 □ PLANICIDAD
 - RECTITUD
 < ANGULARIDAD
 ⊥ PERPENDICULARIDAD (A ESCUADRA)
 // PARALELISMO
 ○ REDONDEZ (CIRCULARIDAD)
 ∅ CILINDRICIDAD
 △ PERFIL DE CUALQUIER SUPERFICIE
 ∇ PERFIL DE CUALQUIER LINEA
 / VARIACION
 ⊕ POSICION REAL
 ⊙ CONCENTRICIDAD
 = SIMETRIA
 ASME Y14.5M 1994

A REQUIS. DEL RECEPTOR (RBC) OTRA MANERA SI SE LE FACILITA A NUESTROS CLIENTES EN VARIAS AREAS. DESDE QUE RBC NO RECIBIÓ DOS DATOS EN RELACION AL USO Y A ANGLA 50 GRADOS DEL MOTOR. LA ELIMINACION ADECUADA DEL MOTOR DEL MOTOR SER DETERMINADA POR EL PULG. 005 - CLIENTE 0.1 0.4 FILETEAR ESQUINA EN R 0.20 mm 0.5 MAQUINAR SUPERFICIES DIMENSIONES SIN TOLERANCIA SON DE REFERENCIA SOLAMENTE DIMS METRICAS MOSTRADAS [PARENTESIS]

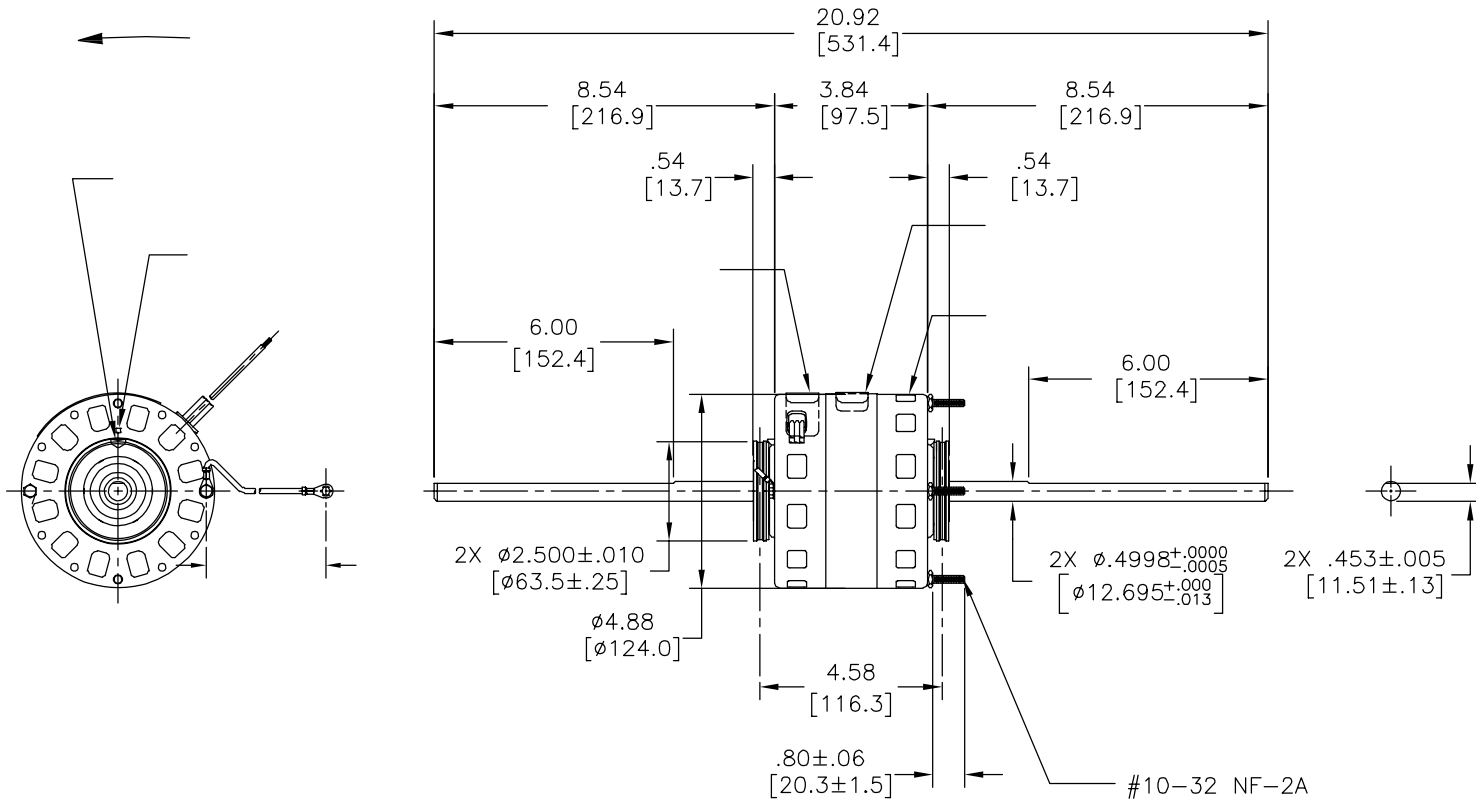
DIBUJADO POR: J WILLIAMS
 APROBADO POR: J WILL
 TERCER ANGULO DE PROYECCION
 FECHA EDS: 11-11-2011
 REV. FORMATO: H
 CONFIDENCIAL: ESTE DIBUJO Y SU INFORMACION SON PROPIEDAD DE USO EXCLUSIVO Y CONFIDENCIAL DE REGAL-BELOIT CORPORATION. Y NO DEBERAN SER REVELADOS, DUPLICADOS, DISTRIBUIDOS O USARSE DE OTRA MANERA SIN EL CONSENTIMIENTO ESCRITO DE REGAL-BELOIT CORPORATION. -TODOS LOS DERECHOS RESERVADOS.

REGAL REGAL-BELOIT CORPORATION
 DESCRIPCION: MODEL-RFHP-42FR OUTLINE
 TAMAÑO: C NUMERO DE DIBUJO: 11927-051
 ESCALA: NONE HOJA: 1

D
C
B
A

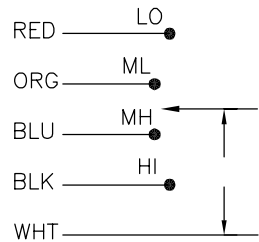
4
3
2
1
4
3
2
1
4
3
2
1

版本	ECO	编制	日期	批准	日期
G	0026394	H.ZHOU	05-29-2012	B.SHEN	05-29-2012



	5.5/6.5	
	[140/165]	
	29.0/31.0	.25 [6.4]
	[737/787]	
	29.0/31.0	.25 [6.4]
	[737/787]	
	29.0/31.0	.25 [6.4]
	[737/787]	
	29.0/31.0	.25 [6.4]
	[737/787]	

MODEL NO.: B42A90A01
 CUST. P/N: []
 HP: 1/6,1/10,1/12,1/15
 ROT.: CCWLE
 RPM: 1550/4 SPD
 TYPE: FE
 FRAME: 42Y
 VOLTS: 115
 PH: 1
 AMPS: 4.0
 HZ: 60
 INS.: B
 AMB.: 40°C
 DUTY: AIR OVER
 CAP: -
 UL & CSA LOGO
 THERMALLY PROTECTED
 TYPE C



CSA			
FILE #	CCN #	FILE #	CLASS #
C30180	9.6 OZ. FT.	A7009D	E46412 PRGY2 LR43341 4211-01

- 形位公差
- 平面度
- 直线度
- ∠ 倾斜度
- ⊥ 垂直度
- // 平行度
- 圆度
- ⊙ 圆柱度
- ⊖ 面轮廓度
- ⊕ 线轮廓度
- ⌒ 圆跳动
- ⊕ 位置度
- ⊙ 同轴度
- ≡ 对称度

ASME Y14.5M 1994

REGAL-BELOIT CORPORATION
 (RBC) 在个别领域为客户
 提供技术支持。RBC
 接收数据并为客户提供
 应用数据。电机的通用性
 由客户自行决定。
 表面粗糙度
 英制公差尺寸仅供参考。
 米制尺寸显示在 []

绘图: J WILLIAMS 08-11-2004
 批准: J WILL 08-12-2004
 第三角投影
 机密: 本图纸及相关信息所有权归REGAL-BELOIT CORPORATION
 未经REGAL-BELOIT CORPORATION书面授权, 不得泄露、
 复制、传播或作其他用途。一版权所有

REGAL REGAL-BELOIT CORPORATION

名称: MODEL-RFHP-42FR OUTLINE
 图幅: C 图号: 11927-051
 比例: NONE 页号: 1

DISTRIBUTION SERVICE