

REV	ECO	REV BY	DATE	APPD	DATE
E	0039066	J.M.RAMIREZ	10-08-2013	G.ALVIDREZ	10-08-2013

GENERAL INFORMATION:

SHAFT RUNOUT: .001[.03] T.I.R. PER INCH LENGTH OF EXTENSION

END PLAY: .010[.25] TO .063[1.60]

BEARINGS: SLEEVE

MOUNTING POSITION: HORIZONTAL

ELECTRICAL DATA:

OVERLOAD PROTECTOR: AUTOMATIC RESET (T.I. 7AM 304)

LEADS: NO. 18 GA. , .06[1.5] THK. , 125°C INSUL.

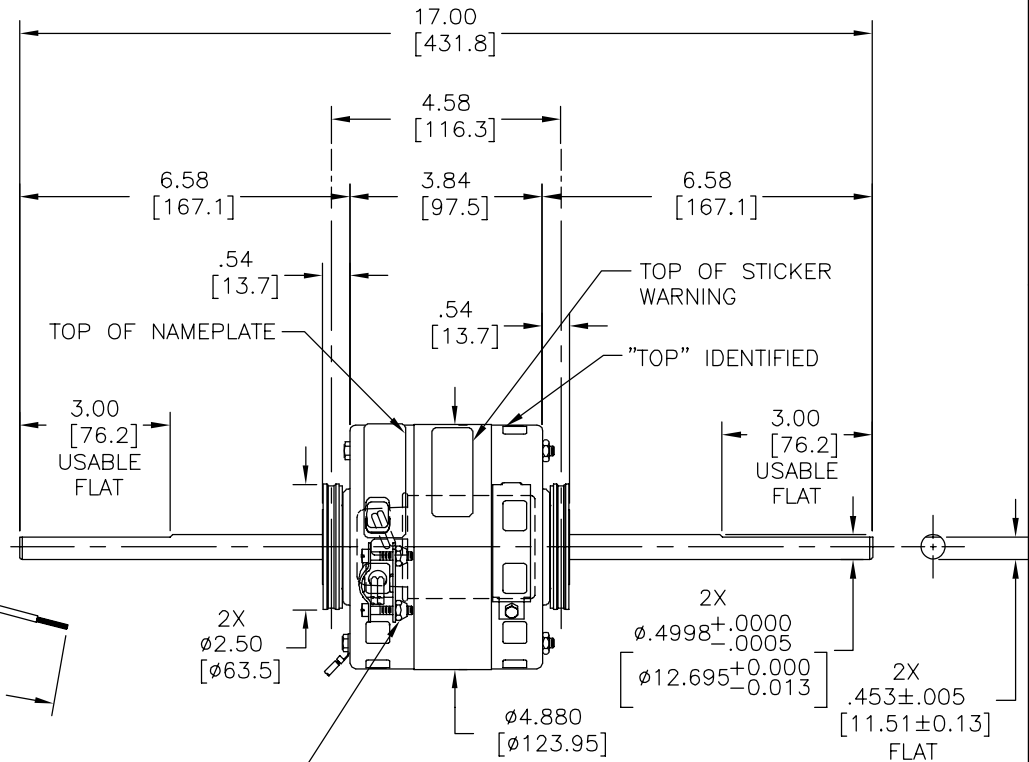
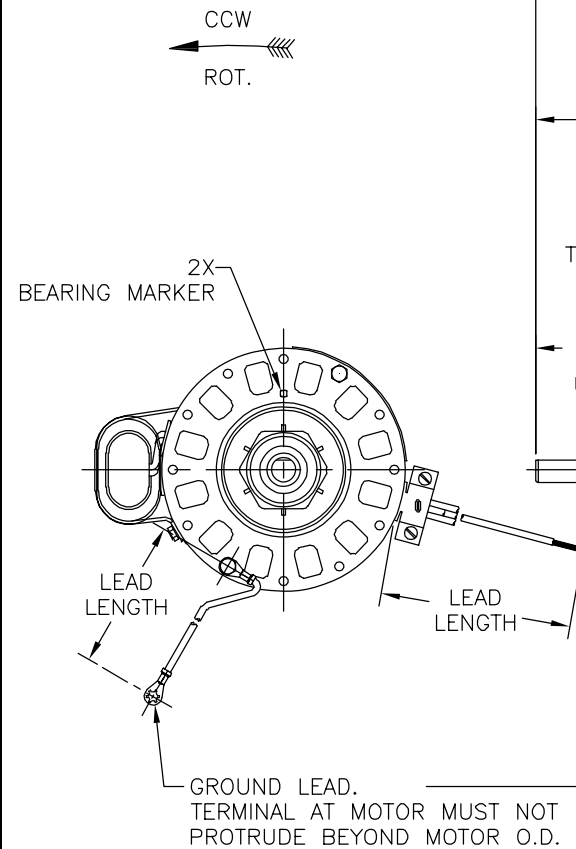
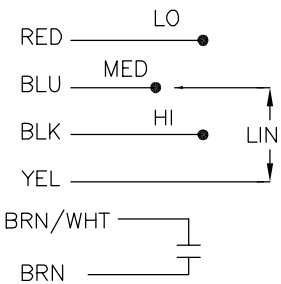
GROUND LEAD: NO. 18 GA. , .03[.8] THK. , (GREEN) INSUL.

SEE NOTE

NAMEPLATE DATA:

EXTERNAL CONNECTION DIAGRAM

MODEL NO.: F42F11A01
 CUST. P/N: []
 HP: 1/5
 ROT.: CCWLE
 RPM: 1550/3 SPD.
 TYPE: FLL
 FRAME: 42 Y
 VOLTS: 208-230
 PH: 1
 AMPS: 1.9
 HZ: 60
 INS.: B
 AMB.: 40°C
 DUTY: AIR COVER
 CAP.: 5 MFD/370V
 ENCL: -
 UL LOGO
 CSA LOGO
 THERMALLY PROTECTED TYPE C



GREEN(GRD)	11.0/13.0 [179/330]	#10 EYELET
BROWN	CONNECTED TO CAPACITOR	.25[6.4] FLAG
BROWN/WHITE	CONNECTED TO CAPACITOR	.25[6.4] FLAG
RED	32.0/34.0 [813/364]	.50[12.7] SKIN
BLUE	32.0/34.0 [813/364]	.50[12.7] SKIN
BLACK	32.0/34.0 [813/364]	.50[12.7] SKIN
YELLOW	32.0/34.0 [813/364]	.50[12.7] SKIN
COLOR	LENGTH	TERMINAL OR STRIP LENGTH

NOTES:

- DISTRIBUTION PART NUMBER MOTOR DCA4522.
- GRAINGER PART NUMBER MOTOR 4ME15.

MAIN FRAME - OLE	OPEN
END FRAME - OLE	OPEN
MAIN FRAME - LE	OPEN
END FRAME - LE	OPEN

CUSTOMER	DISTRIBUTION SERVICE
----------	----------------------

PERFORMANCE CURVE NO.	TORQUE @ 1550 RPM (25°C)	APPROVED SAMPLE	UL COMPONENT		CSA	
C32261	18.5 OZ. FT.	0442375B	FILE #	CCN #	FILE #	CLASS #
			E46412	PRGY2	LR43341	4211-01

GEOMETRIC CHARACTERISTICS & SYMBOLS
 ▮ FLATNESS
 - STRAIGHTNESS
 < ANGLARITY
 ⊥ PERPENDICULARITY (SQUARENESS)
 // PARALLELISM
 ○ ROUNDNESS (CIRCULARITY)
 ∅ CYLINDRICITY
 △ PROFILE OF ANY SURFACE
 ∩ PROFILE OF ANY LINE
 ↗ RUNOUT
 ⊕ TRUE POSITION
 ⊙ CONCENTRICITY
 = SYMMETRY
 ASME Y14.5M 1994

REGAL-BELOIT CORPORATION (RBC) PROVIDES TECHNICAL ASSISTANCE TO OUR CUSTOMERS IN SEVERAL AREAS. SINCE RBC DOES NOT RECEIVE ALL DATA CONCERNING THE USE AND APPLICATION OF THE MOTOR, THE SUITABILITY OF THE MOTOR FOR THE APPLICATION MUST BE DETERMINED BY THE CUSTOMER.

DIMENSIONS WITHOUT TOLERANCES ARE FOR REFERENCE ONLY.

DR BY: J.RUPERT 07-28-2004
 APPD: J.PIATT 07-29-2004
 THIRD ANGLE PROJECTION
 EDS DATE 11-11-2011
 FORMAT REV H
 CONFIDENTIAL: THIS DRAWING AND ITS INFORMATION ARE THE EXCLUSIVE AND CONFIDENTIAL PROPERTY OF REGAL-BELOIT CORPORATION AND ARE NOT TO BE DISCLOSED, DUPLICATED, DISTRIBUTED OR OTHERWISE USED WITHOUT THE WRITTEN CONSENT OF REGAL-BELOIT CORPORATION. -ALL RIGHTS RESERVED.

REGAL REGAL-BELOIT CORPORATION

DESCRIPTION	
MODEL-RFHP-42FR OUTLINE	
SIZE C	DWG NO 11716-023
SCALE NONE	SHEET 1

4

3

2

1

REVISION:	ECO	REVISADO POR:	FECHA:	APROBADO POR:	FECHA:
E	0039066	J.M.RAMIREZ	10-08-2013	G.ALVIDREZ	10-08-2013

INFORMACION GENERAL:

OSCILACION DE FLECHA: .001[.03] L.T.I. POR PULG. LONG. DE EXTENSION

JUEGO AXIAL: .010[.25] A .063[1.60]

BALEROS: MANGA

POSICION DEL MONTAJE: HORIZONTAL

INFORMACION ELECTRICA:

PROTECTOR DE SOBRECARGA: REINICIO AUTOMATICO (T.I. 7AM 304)

CABLES: CALIBRE NO. 18, .06[1.5] ESPESOR, AISL. 125°C

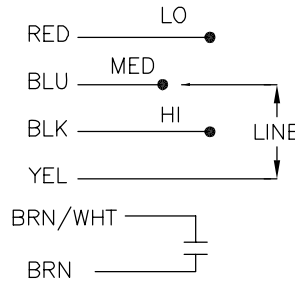
CABLE DE TIERRA: CALIBRE NO. 18, .03[.8] ESPESOR, AISL. (VERDE)

VER NOTA

INFORMACION DE ETIQUETA:

DIAGRAMA DE CONEXION EXTRNA

MODEL NO.: F42F11A01
 CUST. P/N: []
 HP: 1/5
 ROT.: CCWLE
 RPM: 1550/3 SPD.
 TYPE: FLL
 FRAME: 42 Y
 VOLTS: 208-230
 PH: 1
 AMPS: 1.9
 HZ: 60
 INS.: B
 AMB.: 40°C
 DUTY: AIR COVER
 CAP.: 5 MFD/370V
 ENCL: -
 UL LOGO
 CSA LOGO
 THERMALLY PROTECTED TYPE C



CURVAS DE FUNCIONAMIENTO	TORSION @1550 RPM (25°C)	MUESTRA APROBADA	COMPONENTE UL		CSA	
			#ARCHIVO	CCN #	#ARCHIVO	CLASE #
C32261	18.5 OZ. FT.	0442375B	E46412	PRGY2	LR43341	4211-01

VERDE(TIERRA)	11.0/13.0 [179/330]	#10 TERMINAL DE OJO
CAFE	CONECTADO AL CAPACITOR	.25[6.4] BANDERA
CAFE/BLANCO	CONECTADO AL CAPACITOR	.25[6.4] BANDERA
ROJO	32.0/34.0 [813/364]	.50[12.7] DESFORRE
AZUL	32.0/34.0 [813/364]	.50[12.7] DESFORRE
NEGRO	32.0/34.0 [813/364]	.50[12.7] DESFORRE
AMARILLO	32.0/34.0 [813/364]	.50[12.7] DESFORRE
COLOR	LONGITUD	TERMINAL O LONGITUD DE DESFORRE

REGAL-BELOIT CORPORATION (RBC) PROVEE ASISTENCIA TECNICA A NUESTROS CLIENTES EN VARIAS AREAS. DESDE QUE RBC NO RECIBE TODOS LOS DATOS EN RELACION AL USO Y A LA APLICACION DEL MOTOR, LA APLICACION ADECUADA DEL MOTOR DEBE SER DETERMINADA POR EL CLIENTE.

DIMENSIONES SIN TOLERANCIA SON DE REFERENCIA SOLAMENTE

DIBUJADO POR: J.RUPERT 07-28-2004
 APROBADO POR: J.PIATT 07-29-2004
 TERCER ANGULO DE PROYECCION

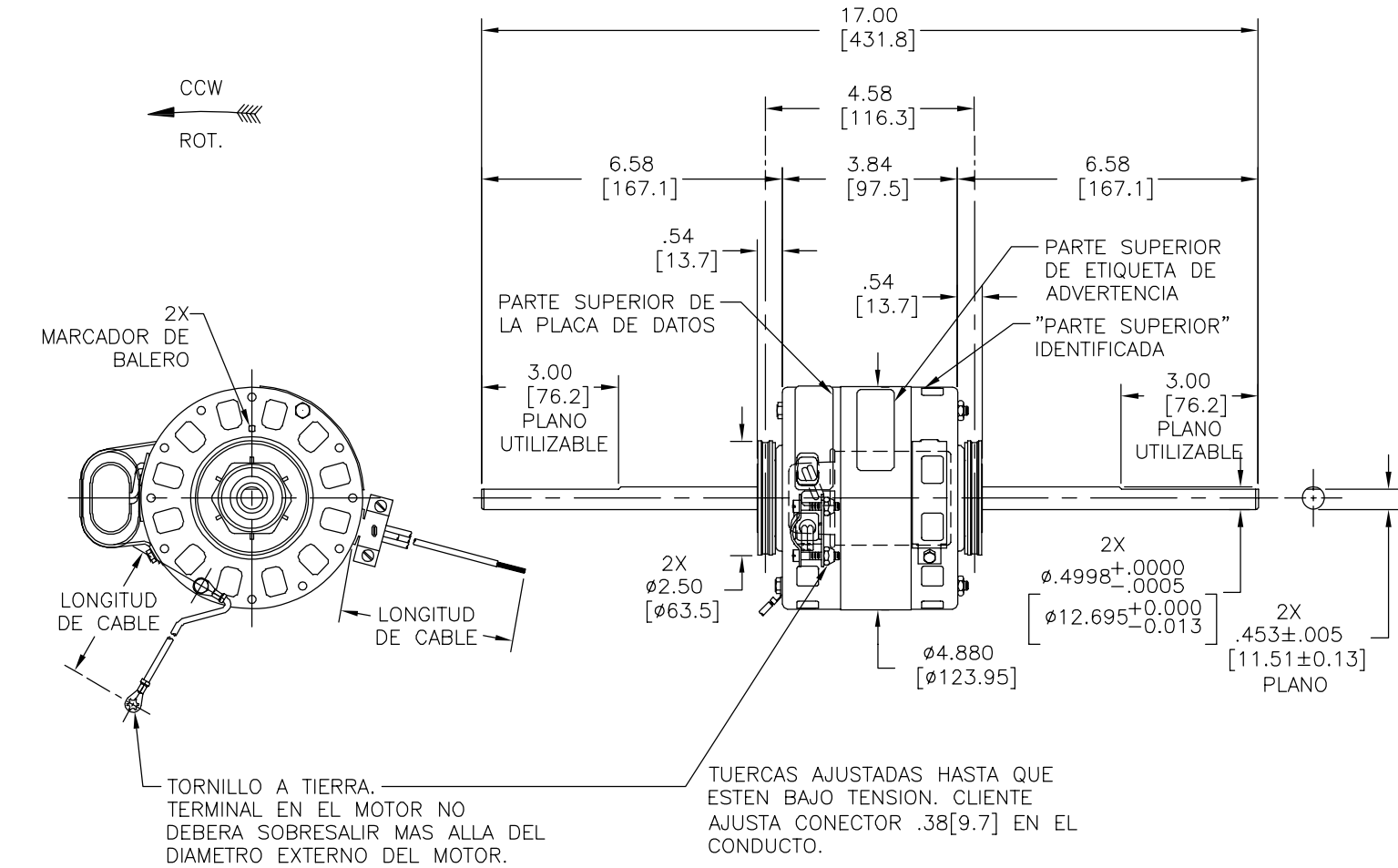
FECHA EDS: 11-11-2011
 REV. FORMATO: H
 CONFIDENCIAL: ESTE DIBUJO Y SU INFORMACION SON PROPIEDAD DE USO EXCLUSIVO Y CONFIDENCIAL DE REGAL-BELOIT CORPORATION. Y NO DEBERAN SER REVELADOS, DUPLICADOS, DISTRIBUIDOS O USARSE DE OTRA MANERA SIN EL CONSENTIMIENTO ESCRITO DE REGAL-BELOIT CORPORATION. -TODOS LOS DERECHOS RESERVADOS.

CARCASA - LOC	ABIERTO
TAPA - LOC	ABIERTO
CARCASA - LC	ABIERTO
TAPA - LC	ABIERTO

CLIENTE	DISTRIBUTION SERVICE
---------	----------------------

NOTAS:

1. NUMERO DE PARTE DEL MOTOR DISTRIBUTION DCA4522.
2. NUMERO DE PARTE DEL MOTOR GRAINGER 4ME15.



D

D

C

C

B

B

A

A

4

3

2

1

REGAL REGAL-BELOIT CORPORATION

DESCRIPCION: MODEL-RFHP-42FR OUTLINE

TAMAÑO: C NUMERO DE DIBUJO: 11716-023

ESCALA: NONE HOJA: 1