

REV	ECO	REV BY	DATE	APPD	DATE
F	0025542	L.HEREDIA	04-25-2012	D.BALDERRAMA	04-25-2012

GENERAL INFORMATION:

SHAFT RUNOUT: .001[.03] T.I.R. PER INCH LENGTH OF EXTENSION.

END PLAY: .010[.25] TO .063[1.60]

BEARINGS: SLEEVE

MOUNTING POSITION: HORIZONTAL

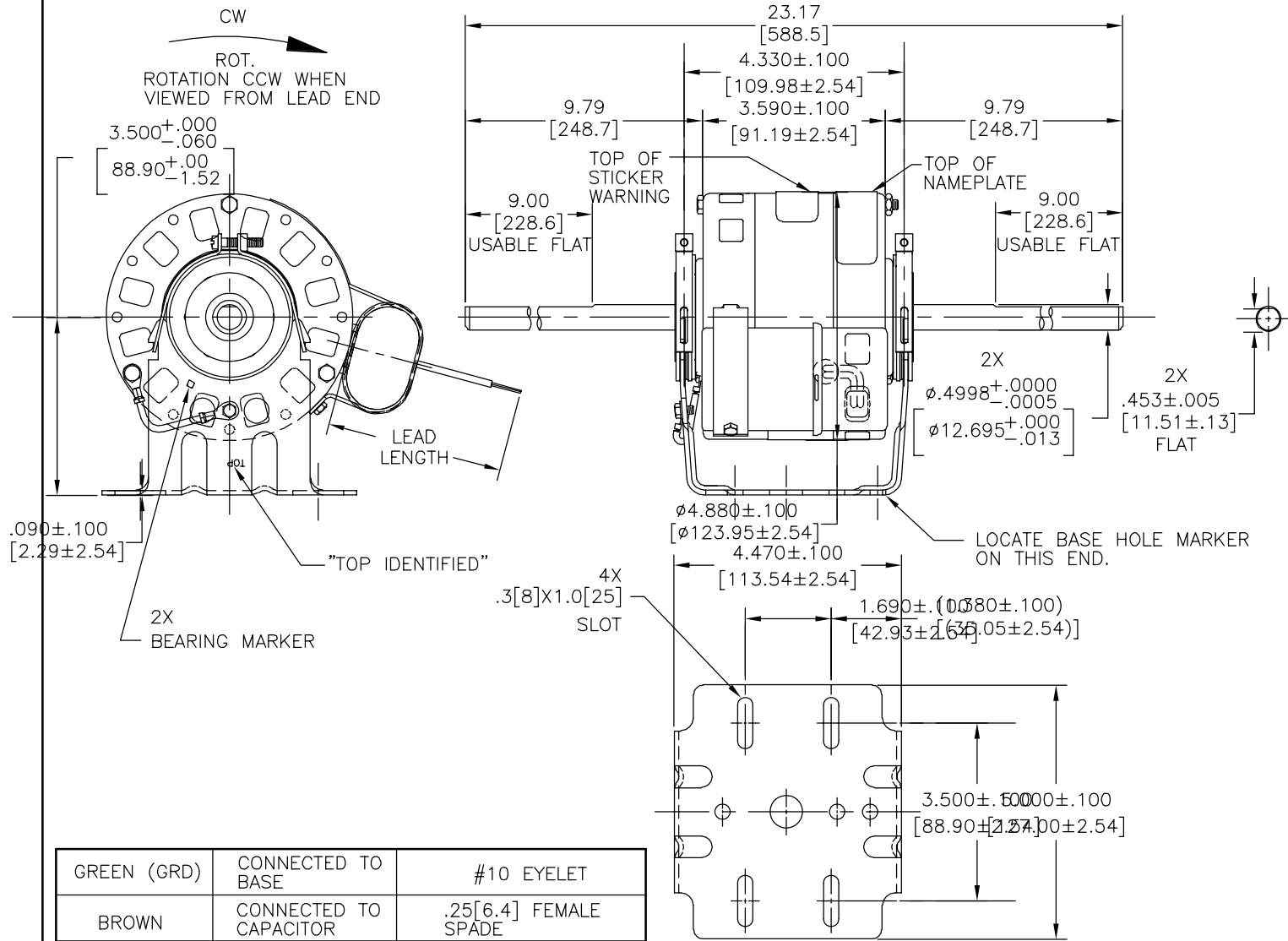
ELECTRICAL DATA:

OVERLOAD PROTECTOR: AUTOMATIC RESET (T.I. 7AM 304)

LEADS: NO. 18 GA., .03[.8] THK., 125°C INSUL.

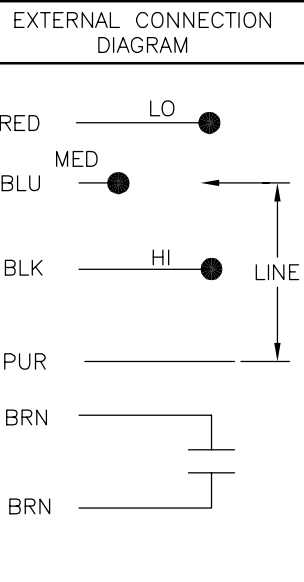
GROUND LEAD: NO. 18 GA., .03[.8] THK., GREEN INSUL.

NOTE:
1. DISTRIBUTION PART NUMBER: DBL6503
GRAINGER PART NUMBER: 4UU21



NAMEPLATE DATA:

MODEL NO.: F42F31A01
CUST. NO.: [-----]
HP: 1/8
ROT: CCWLE
RPM: 1075/3 SPD.
TYPE: FLL
FRAME: 42Y
VOLTS: 115
PH: 1
AMPS: 2.4
HZ: 60
INS: B
AMB: 40'
DUTY: AIR OVER
CAP: 5 MFD/370 V
UL & CSA LOGO
THERMALLY PROTECTED
TYPE C



COLOR	LENGTH	TERMINAL OR STRIP LENGTH
GREEN (GRD)	CONNECTED TO BASE	#10 EYELET
BROWN	CONNECTED TO CAPACITOR	.25[6.4] FEMALE SPADE
BROWN	CONNECTED TO CAPACITOR	.25[6.4] FEMALE SPADE
PURPLE	11.00/13.00 [279.4/330.2]	.60[15.2] SKIN
BLACK	11.00/13.00 [279.4/330.2]	.60[15.2] SKIN
BLUE	11.00/13.00 [279.4/330.2]	.60[15.2] SKIN
RED	11.00/13.00 [279.4/330.2]	.60[15.2] SKIN

ENCLOSURE	CUSTOMER	DISTRIBUTION SERVICE
MAIN FRAME - OLE	OPEN	
END FRAME - OLE	OPEN	
MAIN FRAME - LE	OPEN	
END FRAME - LE	OPEN	

PERFORMANCE CURVE NO.	TORQUE @ 1075 RPM (25°C)	APPROVED SAMPLE	UL COMPONENT FILE #	CCN #	CSA FILE #	CLASS #
C32396	13.6 OZ. FT.	0443750B	E46412	PRGY2	LR43341	4211-01

GEOMETRIC CHARACTERISTICS & SYMBOLS

- FLATNESS
- STRAIGHTNESS
- ANGULARITY
- PERPENDICULARITY (SQUARENESS)
- PARALLELISM
- ROUNDNESS (CIRCULARITY)
- CYLINDRICITY
- PROFILE OF ANY SURFACE
- PROFILE OF ANY LINE
- RUNOUT
- TRUE POSITION
- CONCENTRICITY
- SYMMETRY

ASME Y14.5M 1994

REGAL-BELOIT CORPORATION (RBC) PROVIDES TECHNICAL ASSISTANCE TO OUR CUSTOMERS IN SEVERAL AREAS. SINCE RBC DOES NOT RECEIVE ALL DATA CONCERNING THE USE AND APPLICATION OF THE MOTOR, THE SUITABILITY OF THE MOTOR FOR THE APPLICATION MUST BE DETERMINED BY THE CUSTOMER.

DIMENSIONS WITHOUT TOLERANCES ARE FOR REFERENCE ONLY.

DR BY: GORDON 10-20-2004
APPD: SHROAD 10-26-2004
EDS DATE 11-11-2011
FORMAT REV G

THIRD ANGLE PROJECTION

CONFIDENTIAL: THIS DRAWING AND ITS INFORMATION ARE THE EXCLUSIVE AND CONFIDENTIAL PROPERTY OF REGAL-BELOIT CORPORATION AND ARE NOT TO BE DISCLOSED, DUPLICATED, DISTRIBUTED OR OTHERWISE USED WITHOUT THE WRITTEN CONSENT OF REGAL-BELOIT CORPORATION. -ALL RIGHTS RESERVED.

REGAL-BELOIT CORPORATION

DESCRIPTION: OUTLINE

SIZE: C DWG NO: 11927-055

SCALE: NONE SHEET 1

REVISION:	ECO	REVISADO POR:	FECHA:	APROBADO POR:	FECHA:
F	0025542	L.HEREDIA	04-25-2012	D.BALDERRAMA	04-25-2012

INFORMACION GENERAL:

OSCILACION DE FLECHA:

JUEGO AXIAL:

BALEROS:

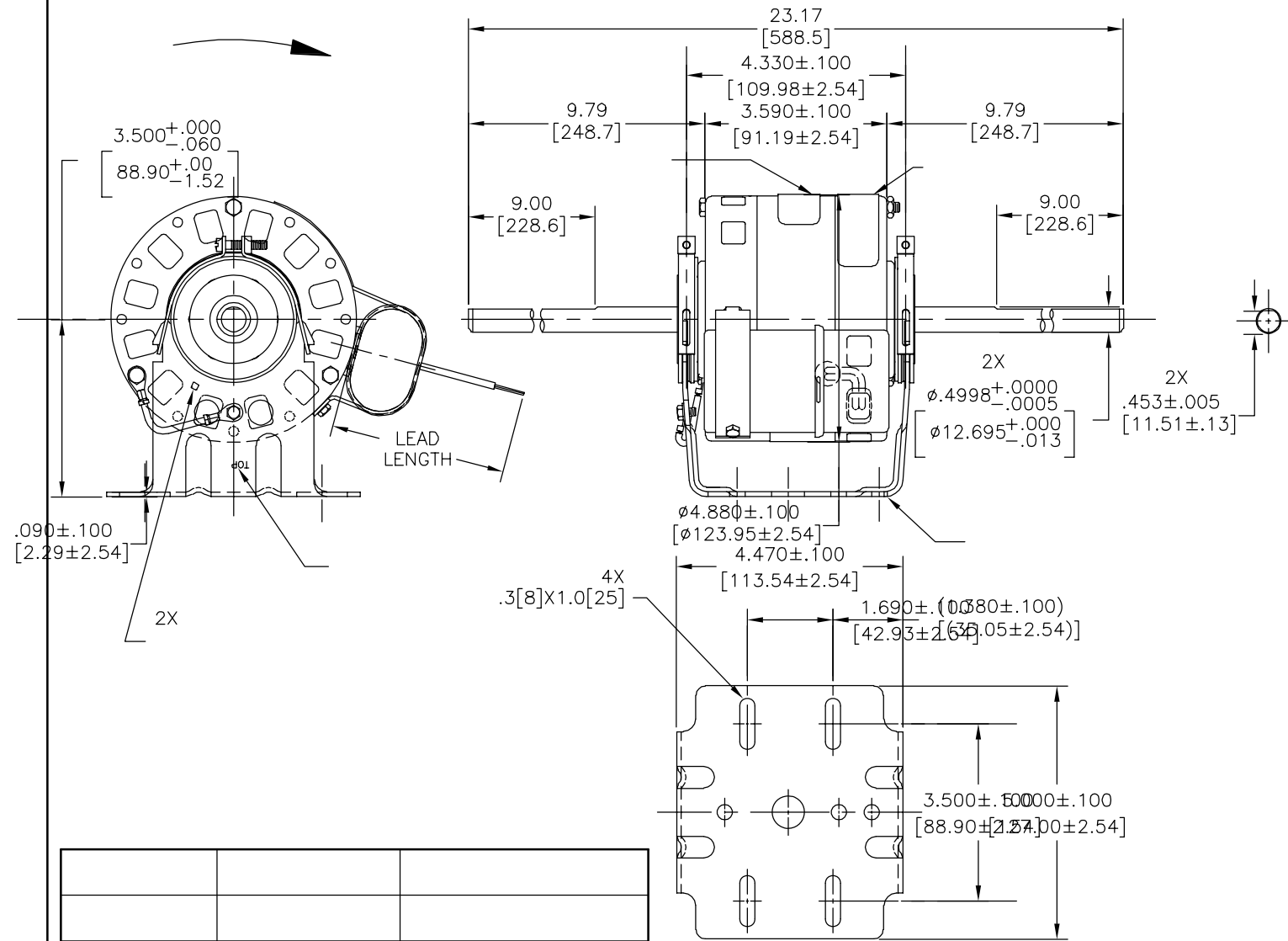
POSICION DEL MONTAJE:

INFORMACION ELECTRICA:

PROTECTOR DE SOBRECARGA

CABLES:

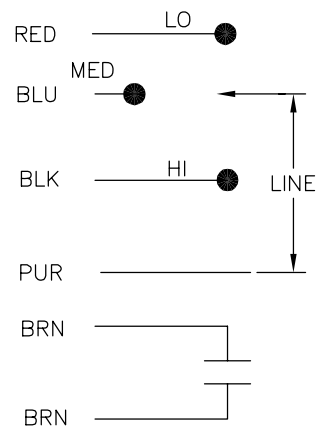
CABLE DE TIERRA:



INFORMACION DE ETIQUETA:

MODEL NO.: F42F31A01
 CUST. NO.: [-----]
 HP: 1/8
 ROT: CCWLE
 RPM: 1075/3 SPD.
 TYPE: FLL
 FRAME: 42Y
 VOLTS: 115
 PH: 1
 AMPS: 2.4
 HZ: 60
 INS: B
 AMB: 40'
 DUTY: AIR OVER
 CAP: 5 MFD/370 V
 UL & CSA LOGO
 THERMALLY PROTECTED
 TYPE C

DIAGRAMA DE CONEXION EXTRNA



CURVAS DE FUNCIONAMIENTO	MUESTRA APROBADA	COMPONENTE UL		CSA	
		#ARCHIVO	CCN #	#ARCHIVO	CLASE #
C32396	13.6 OZ. FT.	0443750B	E46412	PRGY2	LR43341 4211-01

COLOR	LONGITUD	TERMINAL O LONGITUD DE DESFORRE
	11.00/13.00 [279.4/330.2]	.60[15.2]
	11.00/13.00 [279.4/330.2]	.60[15.2]
	11.00/13.00 [279.4/330.2]	.60[15.2]
	11.00/13.00 [279.4/330.2]	.60[15.2]

TIPO DE MOTOR	
CARCASA - LOC	
TAPA - LOC	
CARCASA - LC	
TAPA - LC	

CLIENTE	DISTRIBUTION SERVICE

CARACTERISTICAS DE GEOMETRIA Y SIMBOLOS
 ▽ PLANICIDAD
 — RECTITUD
 < ANGULARIDAD
 ⊥ PERPENDICULARIDAD (A ESCUADRA)
 // PARALELISMO
 ○ REDONDEZ (CIRCULARIDAD)
 ⌀ CILINDRICIDAD
 △ PERFIL DE CUALQUIER SUPERFICIE
 ▽ PERFIL DE CUALQUIER LINEA
 ↗ VARIACION
 ⊕ POSICION REAL
 ⊙ CONCENTRICIDAD
 = SIMETRIA
 ASME Y14.5M 1994

REGAL-BELOIT CORPORATION (RBC) PROVEE ASISTENCIA TECNICA A NUESTROS CLIENTES EN VARIAS AREAS DESDE QUE RBC NO RECIBE TODOS LOS DATOS EN RELACION AL USO Y A LA APLICACION DEL MOTOR, LA APLICACION ADECUADA DEL MOTOR DEBE SER DETERMINADA POR EL CLIENTE.

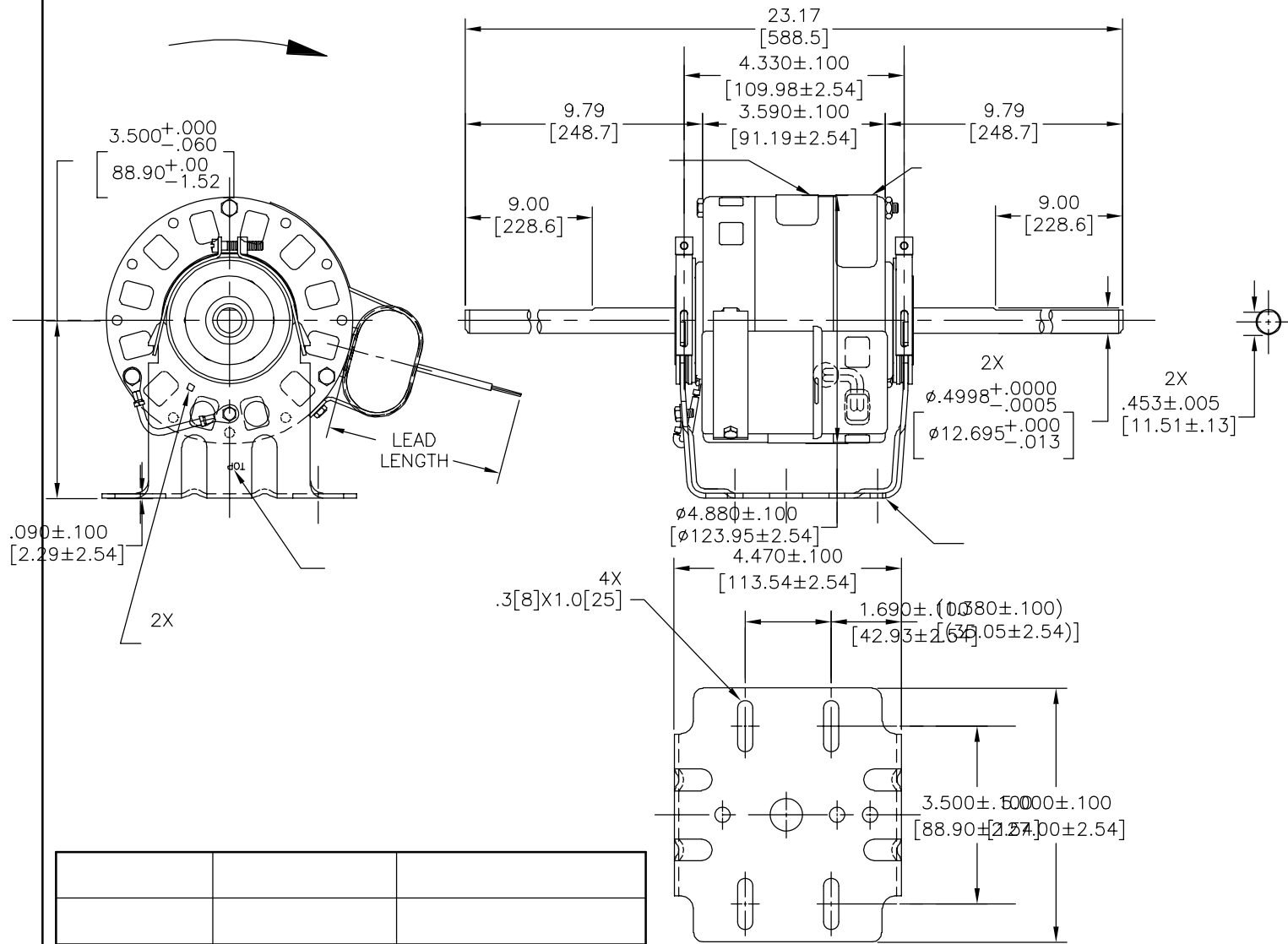
DIMENSIONES SIN TOLERANCIA SON DE REFERENCIA SOLAMENTE

DIBUJADO POR: GORDON 10-20-2004
 APROBADO POR: SHROAD 10-26-2004
 TERCER ANGULO DE PROYECCION
 CONFIDENCIAL: ESTE DIBUJO Y SU INFORMACION SON PROPIEDAD DE USO EXCLUSIVO Y CONFIDENCIAL DE REGAL-BELOIT CORPORATION. Y NO DEBERAN SER REVELADOS, DUPLICADOS, DISTRIBUIDOS O USARSE DE OTRA MANERA SIN EL CONSENTIMIENTO ESCRITO DE REGAL-BELOIT CORPORATION. -TODOS LOS DERECHOS RESERVADOS.

REGAL-BELOIT CORPORATION
 DESCRIPCION: OUTLINE
 TAMANO: C NUMERO DE DIBUJO: 11927-055
 ESCALA: NONE HOJA: 1

版本	ECO	编制	日期	批准	日期
F	0025542	L.HEREDIA	04-25-2012	D.BALDERRAMA	04-25-2012

总技术要求:
 轴跳动:
 端部窜动量
 轴承:
 安装位置:
 电气数据:
 过载保护:
 引线:
 接地线:



颜色	长度	端子或剥线长度
	11.00/13.00 [279.4/330.2]	.60[15.2]
	11.00/13.00 [279.4/330.2]	.60[15.2]
	11.00/13.00 [279.4/330.2]	.60[15.2]
	11.00/13.00 [279.4/330.2]	.60[15.2]

无引线端机壳	
无引线端端盖	
有引线端机壳	
有引线端端盖	

用户	DISTRIBUTION SERVICE
----	----------------------

铭牌数据	外部数据线
MODEL NO.: F42F31A01 CUST. NO.: [-----] HP: 1/8 ROT: CCWLE RPM: 1075/3 SPD. TYPE: FLL FRAME: 42Y VOLTS: 115 PH: 1 AMPS: 2.4 HZ: 60 INS: B AMB: 40' DUTY: AIR OVER CAP: 5 MFD/370 V UL & CSA LOGO THERMALLY PROTECTED TYPE C	<p>RED — LO</p> <p>BLU — MED</p> <p>BLK — HI</p> <p>PUR —</p> <p>BRN —</p> <p>BRN —</p> <p>LINE</p>

性能曲线编号	转矩在 @ RPM (25° C)	批准样品	UL部件		CSA	
C32396	13.6 OZ. FT.	0443750B	文件号	指南	文件号	指南
			E46412	PRGY2	LR43341	4211-01

- 形位公差
- 平面度
- 直线度
- ∠ 倾斜度
- ⊥ 垂直度
- ∥ 平行度
- 圆度
- ⊘ 圆柱度
- ⌒ 面轮廓度
- ⌒ 线轮廓度
- ⊙ 圆跳动
- ⊕ 位置度
- ⊖ 同轴度
- ≡ 对称度

REGAL-BELOIT CORPORATION (RBC) 在个别领域为客户提供技术支持。鉴于RBC未收到任何涉及电机使用和应用环境的数据，电机的适用性由客户自己决定。

未注公差尺寸仅供参考。

绘图: GORDON 10-20-2004
 批准: SHROAD 10-26-2004
 第三角投影

机密: 本图纸及相关信息所有权归REGAL-BELOIT CORPORATION。未经REGAL-BELOIT CORPORATION书面授权，不得泄露、复制、传播或作其他用途。一版权所有

名称		REGAL-BELOIT CORPORATION	
图幅		C	
图号		11927-055	
比例	NONE	页号	1