

REV	ECO	REV BY	DATE	APPD	DATE
E	0026394	H.ZHOU	05-29-2012	B.SHEN	05-29-2012

GENERAL INFORMATION:

SHAFT RUNOUT: .001 [.03] T.I.R. PER INCH LENGTH OF EXTENSION

END PLAY: .010[.25] TO .063[1.60]

BEARINGS: SLEEVE

MOUNTING POSITION: HORIZONTAL

ELECTRICAL DATA:

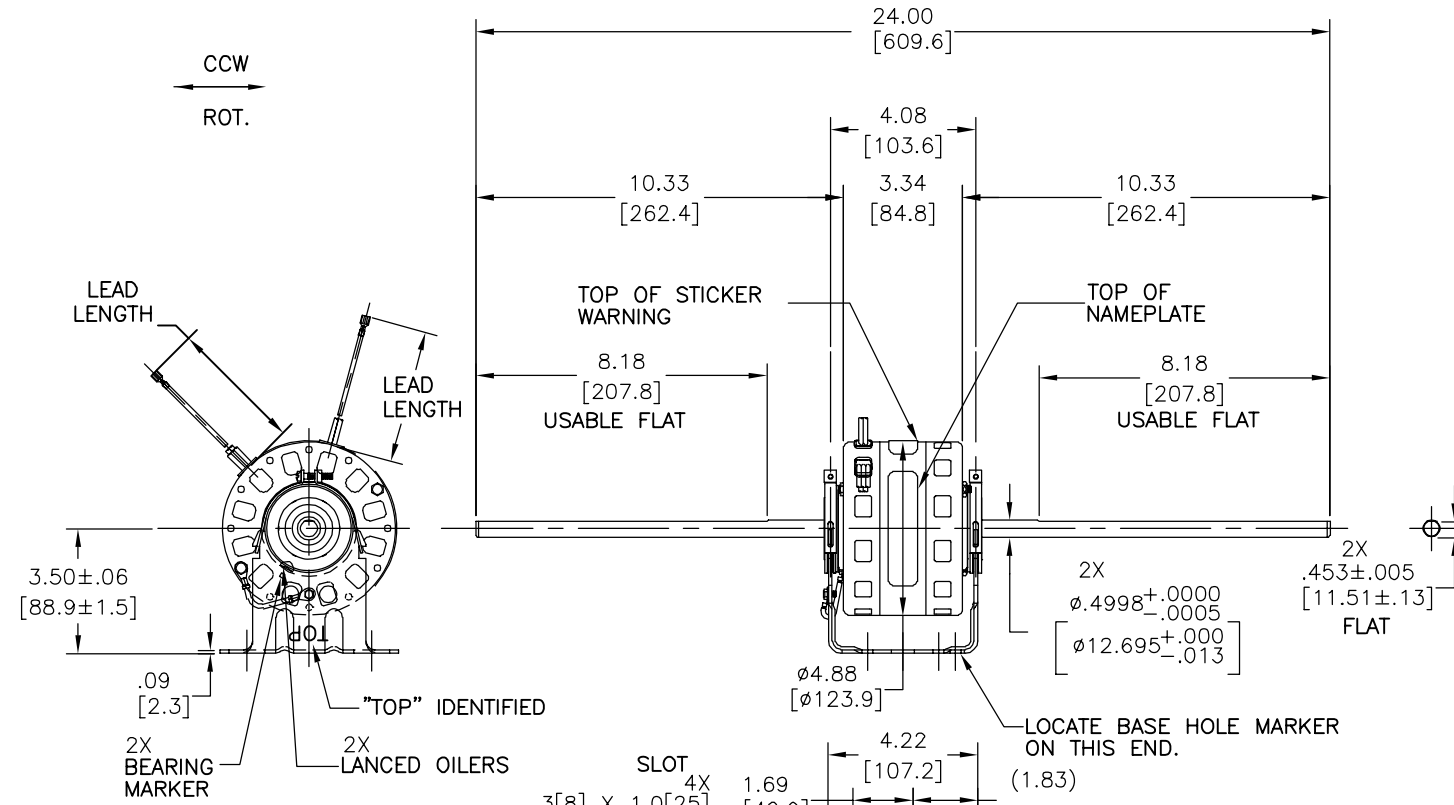
OVERLOAD PROTECTOR: AUTOMATIC RESET (T.I. 7AM 034)

LEADS: NO. 18 GA., .06 [1.5] THK., 125°C INSUL.

GROUND LEAD: NO. 18 GA., .03 [.8] THK., GREEN INSUL.

NOTE:
DISTRIBUTION: CUST. P/N: DBL6S01
GRAINGER: CUST. P/N: 3M771

SEE NOTE



GREEN(GRD)	CONNECTED TO BASE	#8 EYELET
BROWN	23/25 [584/635]	.25[6.4] FEMALE SPADE
BROWN	23/25 [584/635]	.25[6.4] FEMALE SPADE
RED	38.5/41.5 [978/1054]	.25[6.4] FEMALE SPADE
BLUE	38.5/41.5 [978/1054]	.25[6.4] FEMALE SPADE
YELLOW	38.5/41.5 [978/1054]	.25[6.4] FEMALE SPADE
BLACK	38.5/41.5 [978/1054]	.25[6.4] FEMALE SPADE
WHITE	38.5/41.5 [978/1054]	.25[6.4] FEMALE SPADE
COLOR	LENGTH	TERMINAL OR STRIP LENGTH

MAIN FRAME - OLE	OPEN
END FRAME - OLE	OPEN
MAIN FRAME - LE	OPEN
END FRAME - LE	OPEN

CUSTOMER	DISTRIBUTION SERVICES
----------	-----------------------

LEAD DATA

REGAL-BELOIT CORPORATION (RBC) PROVIDES TECHNICAL ASSISTANCE TO OUR CUSTOMERS IN SEVERAL AREAS. SINCE RBC DOES NOT RECEIVE ALL DATA CONCERNING THE USE AND APPLICATION OF THE MOTOR, THE SUITABILITY OF THE MOTOR FOR THE APPLICATION MUST BE DETERMINED BY THE CUSTOMER.

DIMENSIONS WITHOUT TOLERANCES ARE FOR REFERENCE ONLY.

DR BY: J.RUPERT 02-19-1996
APPD: W.HEAL 03-01-1996
EDS DATE 11-11-2011
FORMAT REV H

THIRD ANGLE PROJECTION

CONFIDENTIAL: THIS DRAWING AND ITS INFORMATION ARE THE EXCLUSIVE AND CONFIDENTIAL PROPERTY OF REGAL-BELOIT CORPORATION AND ARE NOT TO BE DISCLOSED, DUPLICATED, DISTRIBUTED OR OTHERWISE USED WITHOUT THE WRITTEN CONSENT OF REGAL-BELOIT CORPORATION. -ALL RIGHTS RESERVED.

REGAL REGAL-BELOIT CORPORATION

DESCRIPTION: **OUTLINE DISTRIBUTION SERVICES**

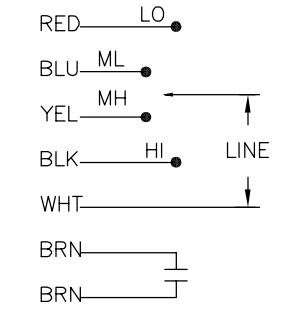
SIZE: C DWG NO: 11927-021

SCALE: NONE SHEET: 1

NAMEPLATE DATA:

MODEL NO.: F42D58A01
CUST. P/N: []
HP: 1/10,1/12,1/15,1/20
ROT.: CCWLE
RPM: 1075/4 SPD
TYPE: FLL
FRAME: 42Y
VOLTS: 115
PH: 1
AMPS: 1.7,1.6,0.9,0.8
HZ: 60
INS.: A
AMB.: 40° C
DUTY: AIR OVER
CAP.: 5 MFD/370V
ENCL: -
UL LOGO
CSA LOGO
THERMALLY PROTECTED

EXTERNAL CONNECTION DIAGRAM



PERFORMANCE CURVE NO.	TORQUE @ 1075 RPM (25°C)	APPROVED SAMPLE	UL COMPONENT FILE #	CCN #	CSA FILE #	CLASS #
C31745	10.6 OZ. FT.	98AC386B	E46412	PRGY2	LR43341	260-ø-0

GEOMETRIC CHARACTERISTICS & SYMBOLS
 ▽ FLATNESS
 — STRAIGHTNESS
 < ANGLARITY
 ⊥ PERPENDICULARITY (SQUARENESS)
 // PARALLELISM
 ○ ROUNDNESS (CIRCULARITY)
 ∅ CYLINDRICITY
 △ PROFILE OF ANY SURFACE
 ∩ PROFILE OF ANY LINE
 / RUNOUT
 ⊕ TRUE POSITION
 ⊙ CONCENTRICITY
 ≡ SYMMETRY

ASME Y14.5M 1994

4

3

2

1

INFORMACION GENERAL:

OSCILACION DE FLECHA: .001 [.03] L.T.I. LONGITUD DE EXTENSION POR PULGADA

JUEGO AXIAL: .010[.25] A .063[1.60]

BALEROS: MANGA

POSICION DEL MONTAJE: HORIZONTAL

INFORMACION ELECTRICA:

PROTECTOR DE SOBRECARGA: REINICIO AUTOMATICO (T.I. 7AM 304)

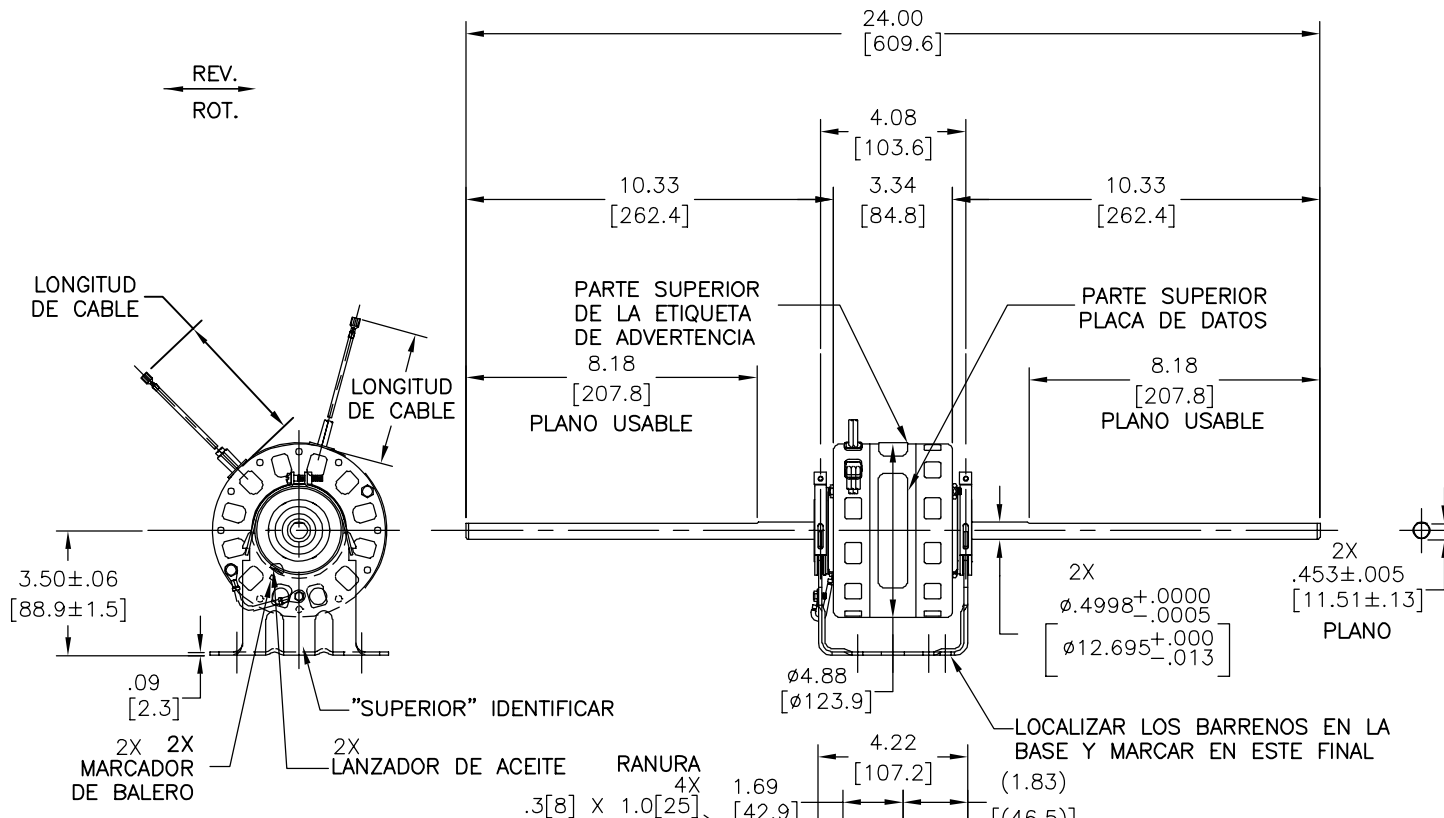
CABLES: CAL. NO. 18, .03 [.8] ESPESOR 125°C AISLANTE

CABLE DE TIERRA: CAL. NO. 18, .03 [.8] ESPESOR (VERDE) AISLANTE

NOTA: DISTRIBUCION: N/P CLIENTE: DBL6S01 GRAINGER: N/P CLIENTE: 3M771

VER NOTA

REVISION:	ECO	REVISADO POR:	H.ZHOU	FECHA:	05-29-2012	APROBADO POR:	B.SHEN	FECHA:	05-29-2012
E	0026394								



VERDE (TIERRA)	CONECTADO A LA BASE	OJAL
	23/25	.25[6.4] TERMINAL HEMBRA
CAFE	[584/635]	.25[6.4] TERMINAL HEMBRA
CAFE	[584/635]	.25[6.4] TERMINAL HEMBRA
ROJO	38.5/41.5	.25[6.4] TERMINAL HEMBRA
ROJO	[978/1054]	.25[6.4] TERMINAL HEMBRA
AZUL	38.5/41.5	.25[6.4] TERMINAL HEMBRA
AZUL	[978/1054]	.25[6.4] TERMINAL HEMBRA
AMARILLO	38.5/41.5	.25[6.4] TERMINAL HEMBRA
AMARILLO	[978/1054]	.25[6.4] TERMINAL HEMBRA
NEGRO	38.5/41.5	.25[6.4] TERMINAL HEMBRA
NEGRO	[978/1054]	.25[6.4] TERMINAL HEMBRA
BLANCO	38.5/41.5	.25[6.4] TERMINAL HEMBRA
BLANCO	[978/1054]	.25[6.4] TERMINAL HEMBRA
COLOR	LONGITUD	TERMINAL O LONGITUD DE DESFORRE

CARCASA - LOC	ABIERTO
TAPA - LOC	ABIERTO
CARCASA - LC	ABIERTO
TAPA - LC	ABIERTO

CLIENTE	DISTRIBUTION SERVICES
---------	-----------------------

INFORMACION DE ETIQUETA:

MODEL NO.: F42D58A01
 CUST. P/N: []
 HP: 1/10,1/12,1/15,1/20
 ROT.: CCWLE
 RPM: 1075/4 SPD
 TYPE: FLL
 FRAME: 42Y
 VOLTS: 115
 PH: 1
 AMPS: 1.7,1.6,0.9,0.8
 HZ: 60
 INS.: A
 AMB.: 40° C
 DUTY: AIR OVER
 CAP.: 5 MFD/370V
 ENCL: -
 UL LOGO
 CSA LOGO
 THERMALLY PROTECTED

DIAGRAMA DE CONEXION EXTRNA

RED — LO
 BLU — ML
 YEL — MH
 BLK — HI
 WHT — LINE
 BRN —
 BRN —

CURVAS DE FUNCIONAMIENTO	TORSION @1075 RPM (25°C)	MUESTRA APROBADA	COMPONENTE UL	CSA
C31745	10.6 OZ. FT.	98AC386B	#ARCHIVO CEN #	#ARCHIVO CLASE #
			E46412 PRGY2 LR43341	260-φ-0

CARACTERISTICAS DE GEOMETRIA Y SIMBOLOS

- PLANICIDAD
- RECTITUD
- ANGULARIDAD
- PERPENDICULARIDAD (A ESCUADRA)
- PARALELISMO
- REDONDEZ (CIRCULARIDAD)
- CILINDRICIDAD
- PERFIL DE CUALQUIER SUPERFICIE
- PERFIL DE CUALQUIER LINEA
- VARIACION
- POSICION REAL
- CONCENTRICIDAD
- SIMETRIA

ASME Y14.5M 1994

A MENOS QUE SE ESPECIFIQUE (RBC) OTRA MANERA ASISTENCIA TECNICA A NUESTROS CLIENTES EN VARIAS AREAS. PUEDE QUE RECIBAN INFORMACIONES DE LOS DATOS EN RELACIONAL USO Y A LA 50 PLACAS DEL MOTOR LA ELIMINAR PARA DECORAR DEL MOTOR DEL DEBE SER DETERMINADA POR EL PULG. 003-011 EN 0.1-0.4 FILETEAR ESQUINAS EN 0.20 mm 0.5 MAQUINAR SUPERFICIES. DIMENSIONES SIN TOLERANCIA SON DE REFERENCIA SOLAMENTE DIMS METRICAS MOSTRADAS [PARENTESIS]

DIBUJADO POR: J.RUPERT 02-19-1996
 APROBADO POR: W.HEAL 03-01-1996
 TERCER ANGULO DE PROYECCION
 FECHA EDS: 11-11-2011
 REV. FORMATO: H
 CONFIDENCIAL: ESTE DIBUJO Y SU INFORMACION SON PROPIEDAD DE USO EXCLUSIVO Y CONFIDENCIAL DE REGAL-BELOIT CORPORATION. Y NO DEBERAN SER REVELADOS, DUPLICADOS, DISTRIBUIDOS O USARSE DE OTRA MANERA SIN EL CONSENTIMIENTO ESCRITO DE REGAL-BELOIT CORPORATION. -TODOS LOS DERECHOS RESERVADOS.

REGAL REGAL-BELOIT CORPORATION

DESCRIPCION: OUTLINE DISTRIBUTION SERVICES

TAMAÑO: C NUMERO DE DIBUJO: 11927-021

ESCALA: NONE HOJA: 1

4

3

2

1

版本	ECO	编制	日期	批准	日期
E	0026394	H.ZHOU	05-29-2012	B.SHEN	05-29-2012

总技术要求:

轴跳动:

端部窜动量

轴承:

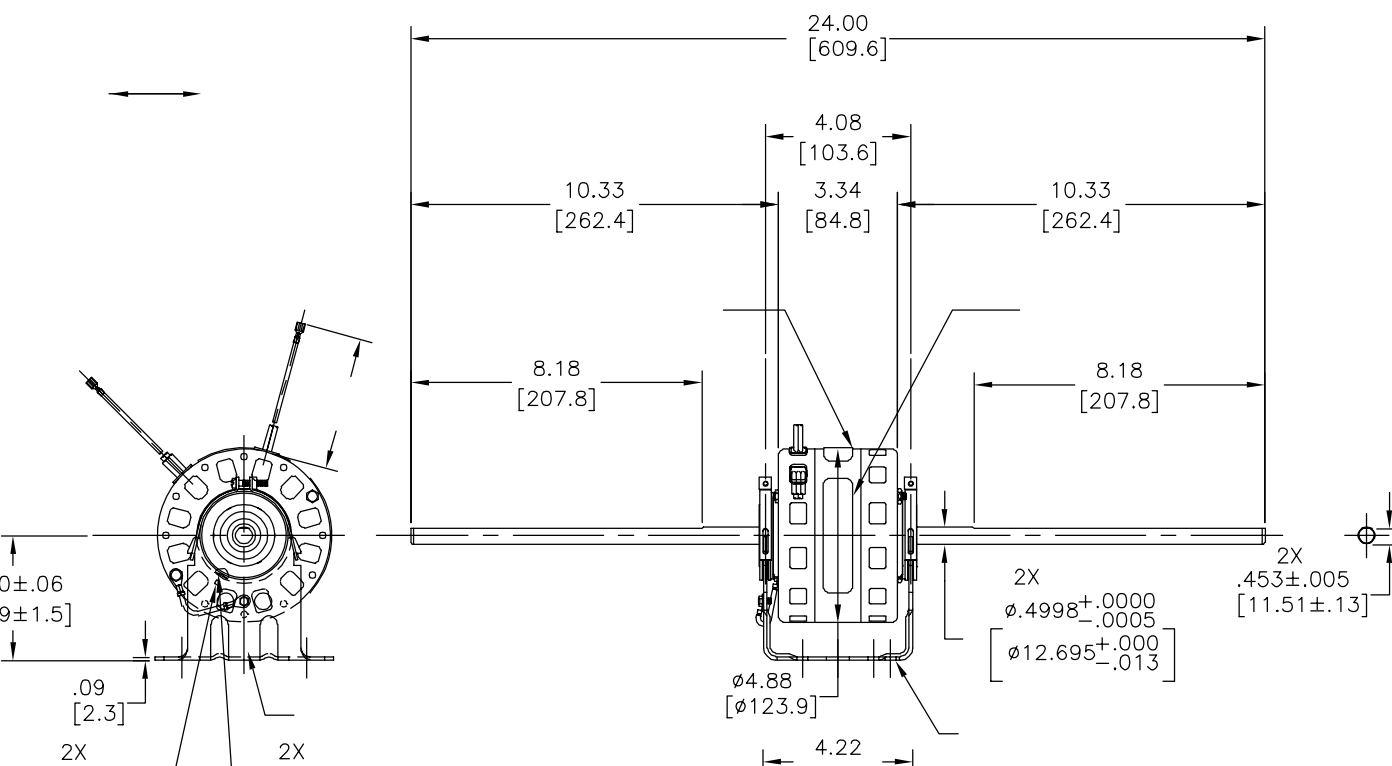
安装位置:

电气数据:

过载保护:

引线:

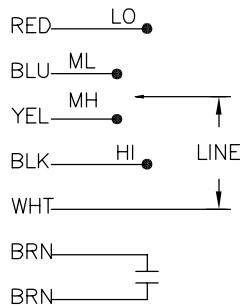
接地线:



铭牌数据

外部数据线

MODEL NO.: F42D58A01
 CUST. P/N:
 HP: 1/10,1/12,1/15,1/20
 ROT.: CCWLE
 RPM: 1075/4 SPD
 TYPE: FLL
 FRAME: 42Y
 VOLTS: 115
 PH: 1
 AMPS: 1.7,1.6,0.9,0.8
 HZ: 60
 INS.: A
 AMB.: 40° C
 DUTY: AIR OVER
 CAP.: 5 MFD/370V
 ENCL: -
 UL LOGO
 CSA LOGO
 THERMALLY PROTECTED



颜色	长度	端子或剥线长度
23/25	[584/635]	
23/25	[584/635]	
38.5/41.5	[978/1054]	
38.5/41.5	[978/1054]	
38.5/41.5	[978/1054]	
38.5/41.5	[978/1054]	
38.5/41.5	[978/1054]	
38.5/41.5	[978/1054]	

引线数据

无引线端机壳	
无引线端端盖	
有引线端机壳	
有引线端端盖	

密封性

用户	DISTRIBUTION SERVICES
----	-----------------------

REGAL-BELOIT CORPORATION
 (REGAL-BELOIT CORPORATION)
 11-11-2011
 03-01-1996
 02-19-1996
 03-01-1996
 02-19-1996
 03-01-1996

绘图:	J.RUPERT	02-19-1996
批准:	W.HEAL	03-01-1996
第三角投影		图纸格式发布日期 11-11-2011 图纸格式版本 H
机密: 本图纸及相关信息所有权利归REGAL-BELOIT CORPORATION, 未经REGAL-BELOIT CORPORATION书面授权, 不得泄露、复制、传播或作其他用途。一版权所有		



名称 OUTLINE DISTRIBUTION SERVICES	
图幅 C	图号 11927-021
比例 NONE	页号 1

ASME Y14.5M 1994