

4

3

2

1

REV	ECO	REV BY	DATE	APPD	DATE
C	0025542	L.HEREDIA	04-24-2012	D.BALDERRAMA	04-24-2012

GENERAL INFORMATION:

SHAFT RUNOUT: .001[.03] T.I.R. PER INCH LENGTH OF EXTENSION

END PLAY: .010[.25] TO .063[1.60]

BEARINGS: SLEEVE

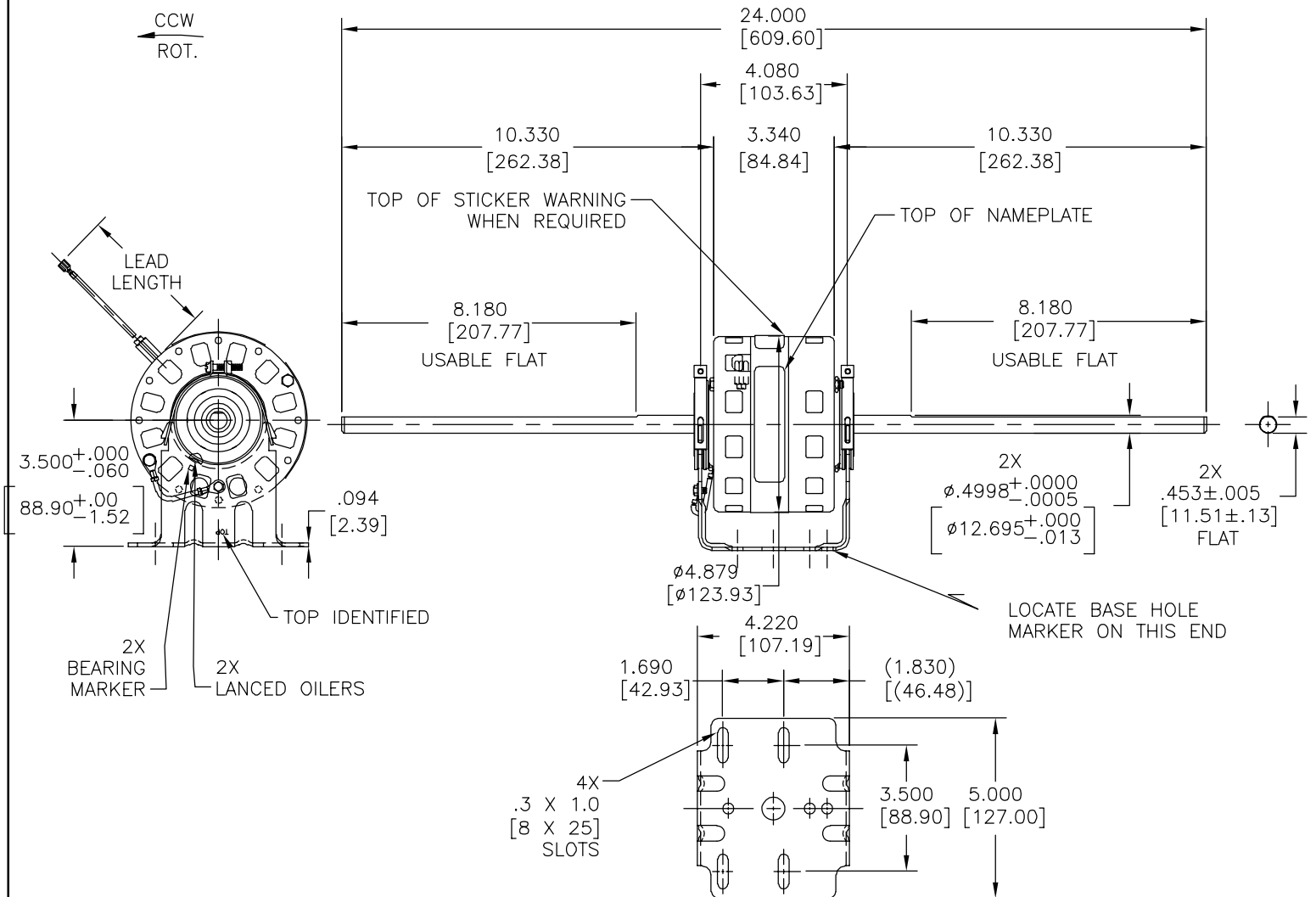
MOUNTING POSITION: HORIZONTAL

ELECTRICAL DATA:

OVERLOAD PROTECTOR: AUTOMATIC RESET (T.I. 7AM 304)

LEADS: NO. 18 GA., .03[.8] THK., 125°C INSULATION

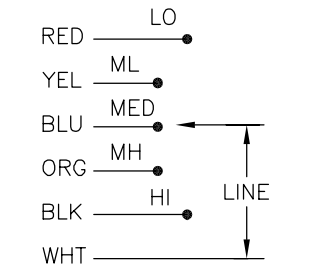
GROUND LEAD: NO. 18 GA., .03[.8] THK., GREEN INSULATION



NAMEPLATE DATA:

EXTERNAL CONNECTION DIAGRAM

MODEL NO.: 326P120
 CUST. P/N: DBL6409
 HP: 1/10, 1/15, 1/20, 1/25, 1/30
 ROT.: CCWLE
 RPM: 1050/5 SPD
 TYPE: FE
 FRAME: 42Y
 VOLTS: 115
 PH: 1
 AMPS: 3.5, 2.8, 2.2, 1.9, 1.6
 HZ: 60
 INS.: B*
 AMB.: 40° C
 DUTY: AIR OVER
 CAP.: -
 ENCL.: -
 UL LOGO
 CSA LOGO
 THERMALLY PROTECTED



GREEN (GRD)	CONNECTED TO BASE	#8 EYELET
RED	38.5/41.5 [978/1054]	.25[6.4] FEMALE SPADE
YELLOW	38.5/41.5 [978/1054]	.25[6.4] FEMALE SPADE
BLUE	38.5/41.5 [978/1054]	.25[6.4] FEMALE SPADE
ORANGE	38.5/41.5 [978/1054]	.25[6.4] FEMALE SPADE
BLACK	38.5/41.5 [978/1054]	.25[6.4] FEMALE SPADE
WHITE	38.5/41.5 [978/1054]	.25[6.4] FEMALE SPADE
COLOR	LENGTH	TERMINAL OR STRIP LENGTH

MAIN FRAME - OLE	OPEN
END FRAME - OLE	OPEN
MAIN FRAME - LE	OPEN
END FRAME - LE	OPEN

CUSTOMER	DISTRIBUTION SERVICE
----------	----------------------

PERFORMANCE CURVE NO.	TORSION @ 11050 RPM (50°C)	APPROVED SAMPLE	UL COMPONENT	CSA
-	8.0 OZ. FT.	PSE 7418	FILE # E46412 PRGY2	FILE # LR43341 CLASS # 4211-01

GEOMETRIC CHARACTERISTICS & SYMBOLS
 □ FLATNESS
 - STRAIGHTNESS
 < ANGLARITY
 ⊥ PERPENDICULARITY (SQUARENESS)
 // PARALLELISM
 ○ ROUNDNESS (CIRCULARITY)
 ∅ CYLINDRICITY
 △ PROFILE OF ANY SURFACE
 ∩ PROFILE OF ANY LINE
 ↗ RUNOUT
 ⊕ TRUE POSITION
 ⊙ CONCENTRICITY
 = SYMMETRY
 ASME Y14.5M 1994

REGAL-BELOIT CORPORATION (RBC) PROVIDES TECHNICAL ASSISTANCE TO OUR CUSTOMERS IN SEVERAL AREAS. SINCE RBC DOES NOT RECEIVE ALL DATA CONCERNING THE USE AND APPLICATION OF THE MOTOR, THE SUITABILITY OF THE MOTOR FOR THE APPLICATION MUST BE DETERMINED BY THE CUSTOMER.
 DIMENSIONS WITHOUT TOLERANCES ARE FOR REFERENCE ONLY.

DR BY: RUPERT 02-22-1996
 APPD: -
 THIRD ANGLE PROJECTION
 EDS DATE 11-11-2011
 FORMAT REV G
 CONFIDENTIAL: THIS DRAWING AND ITS INFORMATION ARE THE EXCLUSIVE AND CONFIDENTIAL PROPERTY OF REGAL-BELOIT CORPORATION AND ARE NOT TO BE DISCLOSED, DUPLICATED, DISTRIBUTED OR OTHERWISE USED WITHOUT THE WRITTEN CONSENT OF REGAL-BELOIT CORPORATION. -ALL RIGHTS RESERVED.

REGAL-BELOIT CORPORATION	
DESCRIPTION	OUTLINE
SIZE C	DWG NO 11927-026
SCALE NONE	SHEET 1

4

3

2

1

4

3

2

1

REVISION:	ECO	REVISADO POR:	FECHA:	APROBADO POR:	FECHA:
C	0025542	L.HEREDIA	04-24-2012	D.BALDERRAMA	04-24-2012

INFORMACION GENERAL:

OSCILACION DE FLECHA:

JUEGO AXIAL:

BALEROS:

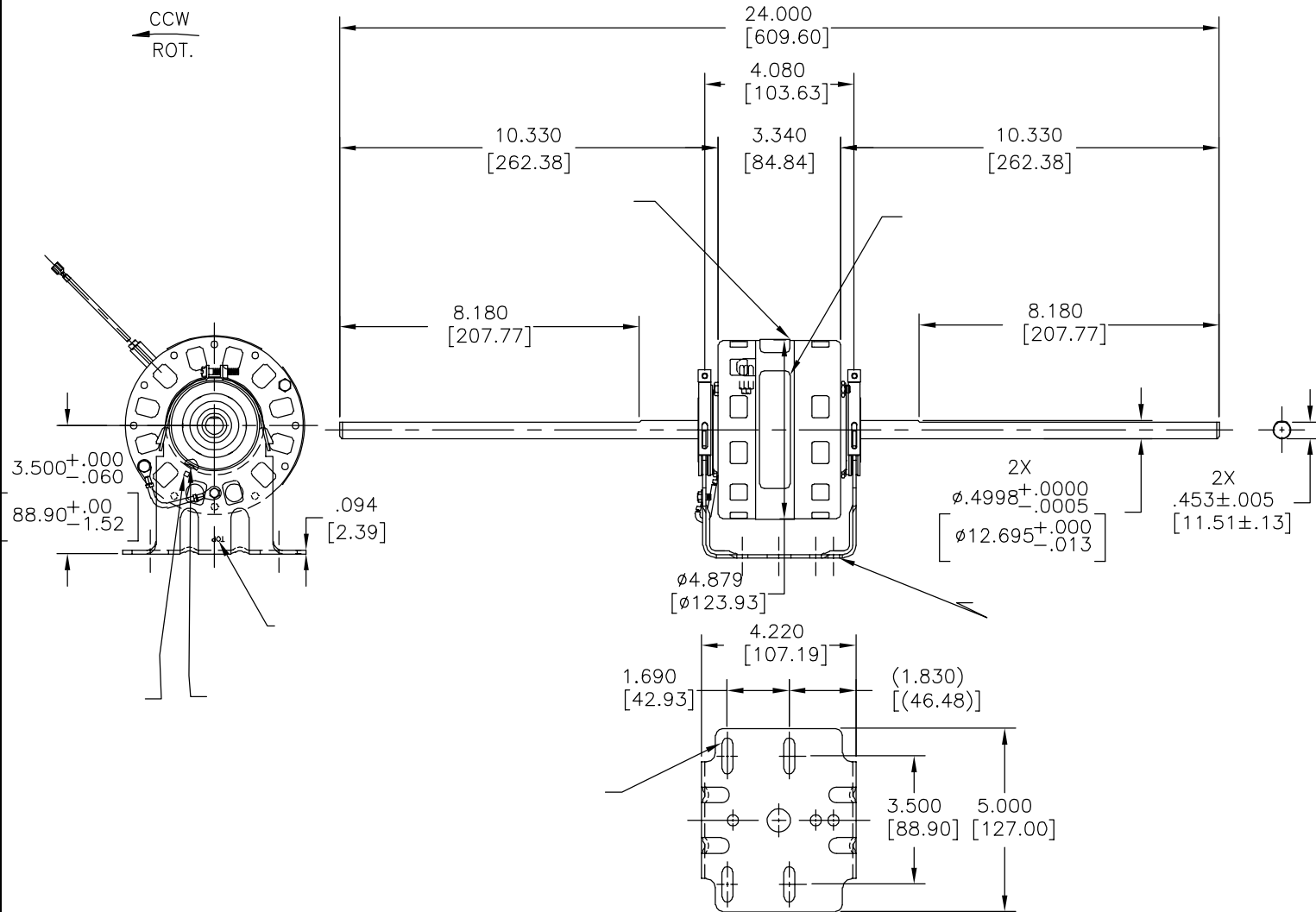
POSICION DEL MONTAJE:

INFORMACION ELECTRICA:

PROTECTOR DE SOBRECARGA

CABLES:

CABLE DE TIERRA:



INFORMACION DE ETIQUETA:	DIAGRAMA DE CONEXION EXTRNA
MODEL NO.: 326P120 CUST. P/N: DBL6409 HP: 1/10, 1/15, 1/20, 1/25, 1/30 ROT.: CCWLE RPM: 1050/5 SPD TYPE: FE FRAME: 42Y VOLTS: 115 PH: 1 AMPS: 3.5, 2.8, 2.2, 1.9, 1.6 HZ: 60 INS.: B* AMB.: 40° C DUTY: AIR OVER CAP.: - ENCL.: - UL LOGO CSA LOGO THERMALLY PROTECTED	

	CONNECTED TO BASE
	38.5/41.5 [978/1054]
	38.5/41.5 [978/1054]
	38.5/41.5 [978/1054]
	38.5/41.5 [978/1054]
	38.5/41.5 [978/1054]
	38.5/41.5 [978/1054]
	38.5/41.5 [978/1054]
	38.5/41.5 [978/1054]
COLOR	LONGITUD
	LONGITUD DE DESFORRE

CARCASA - LOC	-
TAPA - LOC	-
CARCASA - LC	-
TAPA - LC	-

CLIENTE	DISTRIBUTION SERVICE
---------	----------------------

CURVAS DE FUNCIONAMIENTO	MUESTRA APROBADA	COMPONENTE UL	CSA
-	8.0 OZ. FT.	PSE 7418	E46412 PRGY2 LR43341 4211-01

CARACTERISTICAS DE GEOMETRIA Y SIMBOLOS
 ▽ PLANICIDAD
 - RECTITUD
 < ANGULARIDAD
 ⊥ PERPENDICULARIDAD (A ESCUADRA)
 // PARALELISMO
 ○ REDONDEZ (CIRCULARIDAD)
 ∅ CILINDRICIDAD
 △ PERFIL DE CUALQUIER SUPERFICIE
 ∩ PERFIL DE CUALQUIER LINEA
 ∠ VARIACION
 ⊕ POSICION REAL
 ⊙ CONCENTRICIDAD
 = SIMETRIA
 ASME Y14.5M 1994

REGAL-BELOIT CORPORATION (RBC) PROVEE ASISTENCIA TECNICA A NUESTROS CLIENTES EN VARIAS AREAS. DESDE QUE RBC NO RECIBE TODOS LOS DATOS EN RELACION AL USO Y A LA APLICACION DEL MOTOR, LA APLICACION ADECUADA DEL MOTOR DEBE SER DETERMINADA POR EL CLIENTE.
 DIMENSIONES SIN TOLERANCIA SON DE REFERENCIA SOLAMENTE

DIBUJADO POR: RUPERT 02-22-1996
 APROBADO POR: -
 TERCER ANGULO DE PROYECCION
 CONFIDENCIAL: ESTE DIBUJO Y SU INFORMACION SON PROPIEDAD DE USO EXCLUSIVO Y CONFIDENCIAL DE REGAL-BELOIT CORPORATION. Y NO DEBERAN SER REVELADOS, DUPLICADOS, DISTRIBUIDOS O USARSE DE OTRA MANERA SIN EL CONSENTIMIENTO ESCRITO DE REGAL-BELOIT CORPORATION. -TODOS LOS DERECHOS RESERVADOS.

REGAL-BELOIT CORPORATION

DESCRIPCION: **OUTLINE**

TAMAÑO: C NUMERO DE DIBUJO: 11927-026

ESCALA: NONE HOJA: 1

4

3

2

1

4

3

2

1

总技术要求:

轴跳动:

端部窜动量

轴承:

安装位置:

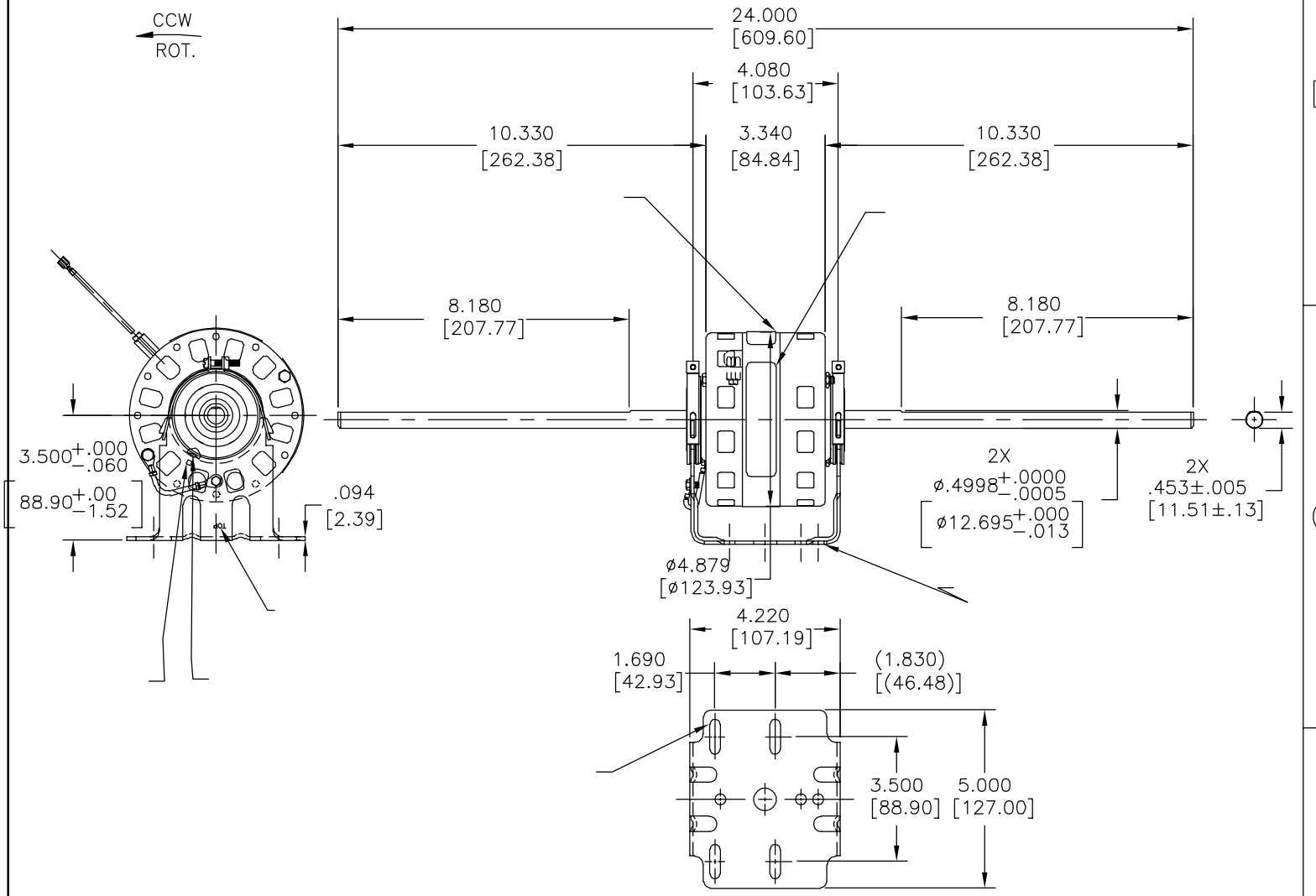
电气数据:

过载保护:

引线:

接地线:

版本	ECO	编制	日期	批准	日期
C	0025542	L.HEREDIA	04-24-2012	D.BALDERRAMA	04-24-2012



铭牌数据	外部数据线
MODEL NO.: 326P120 CUST. P/N: DBL6409 HP: 1/10, 1/15, 1/20, 1/25, 1/30 ROT.: CCWLE RPM: 1050/5 SPD TYPE: FE FRAME: 42Y VOLTS: 115 PH: 1 AMPS: 3.5, 2.8, 2.2, 1.9, 1.6 HZ: 60 INS.: B* AMB.: 40° C DUTY: AIR OVER CAP.: - ENCL.: - UL LOGO CSA LOGO THERMALLY PROTECTED	

颜色	长度	端子或剥线长度
	CONNECTED TO BASE	
	38.5/41.5	
	[978/1054]	
	38.5/41.5	
	[978/1054]	
	38.5/41.5	
	[978/1054]	
	38.5/41.5	
	[978/1054]	
	38.5/41.5	
	[978/1054]	

无引线端机壳	
无引线端端盖	
有引线端机壳	
有引线端端盖	

性能曲线编号	转矩在 @ --- RPM (25° C)	批准样品	UL部件	CSA
-	8.0 OZ. FT.	PSE 7418	文件号 E46412 指南 PRGY2	文件号 LR43341 指南 4211-01

- 形位公差
- 平面度
- 直线度
- ∠ 倾斜度
- ⊥ 垂直度
- // 平行度
- 圆度
- ⊘ 圆柱度
- △ 面轮廓度
- ∩ 线轮廓度
- ∩ 圆跳动
- ⊕ 位置度
- ⊙ 同轴度
- ≡ 对称度

ASME Y14.5M 1994

REGAL-BELOIT CORPORATION (RBC) 在个别领域为客户 提供技术支持。鉴于RBC 未收到任何涉及电机使用和 应用环境的数据，电机的适用性 由客户自己决定。

未注公差尺寸仅供参考。

绘图:	RUPERT	02-22-1996
批准:	-	-
第三角投影		图纸格式发布日期 11-11-2011 图纸格式版本 G
机密: 本图纸及相关信息所有权归REGAL-BELOIT CORPORATION 未经REGAL-BELOIT CORPORATION书面授权, 不得泄露、 复制、传播或作其他用途。—版权所有		

名称 OUTLINE	
图幅 C	图号 11927-026
比例 NONE	页号 1

4

3

2

1