

GENERAL INFORMATION:

SHAFT RUNOUT: .001 [.03] T.I.R. PER INCH LENGTH OF EXTENSION

END PLAY: .010[.25] TO .063[1.60]

BEARINGS: SLEEVE

MOUNTING POSITION: HORIZONTAL

ELECTRICAL DATA:

OVERLOAD PROTECTOR: AUTOMATIC RESET SENSATA 7AM 034

LEADS: NO. 18 GA., .03[.8] THK., 125°C INSUL.

GROUND LEAD: NO. 18 GA., .03 [.8] THK., GREEN INSUL.

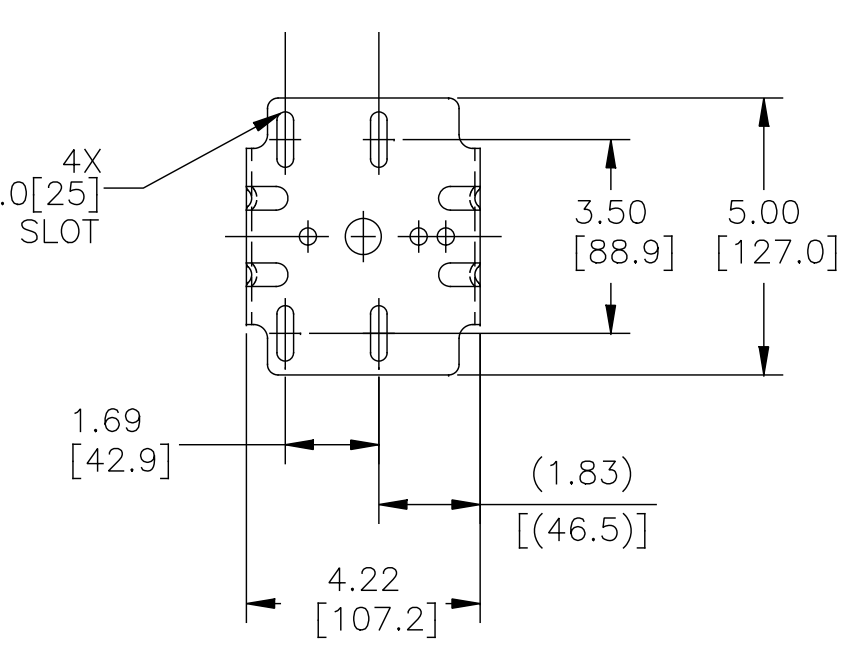
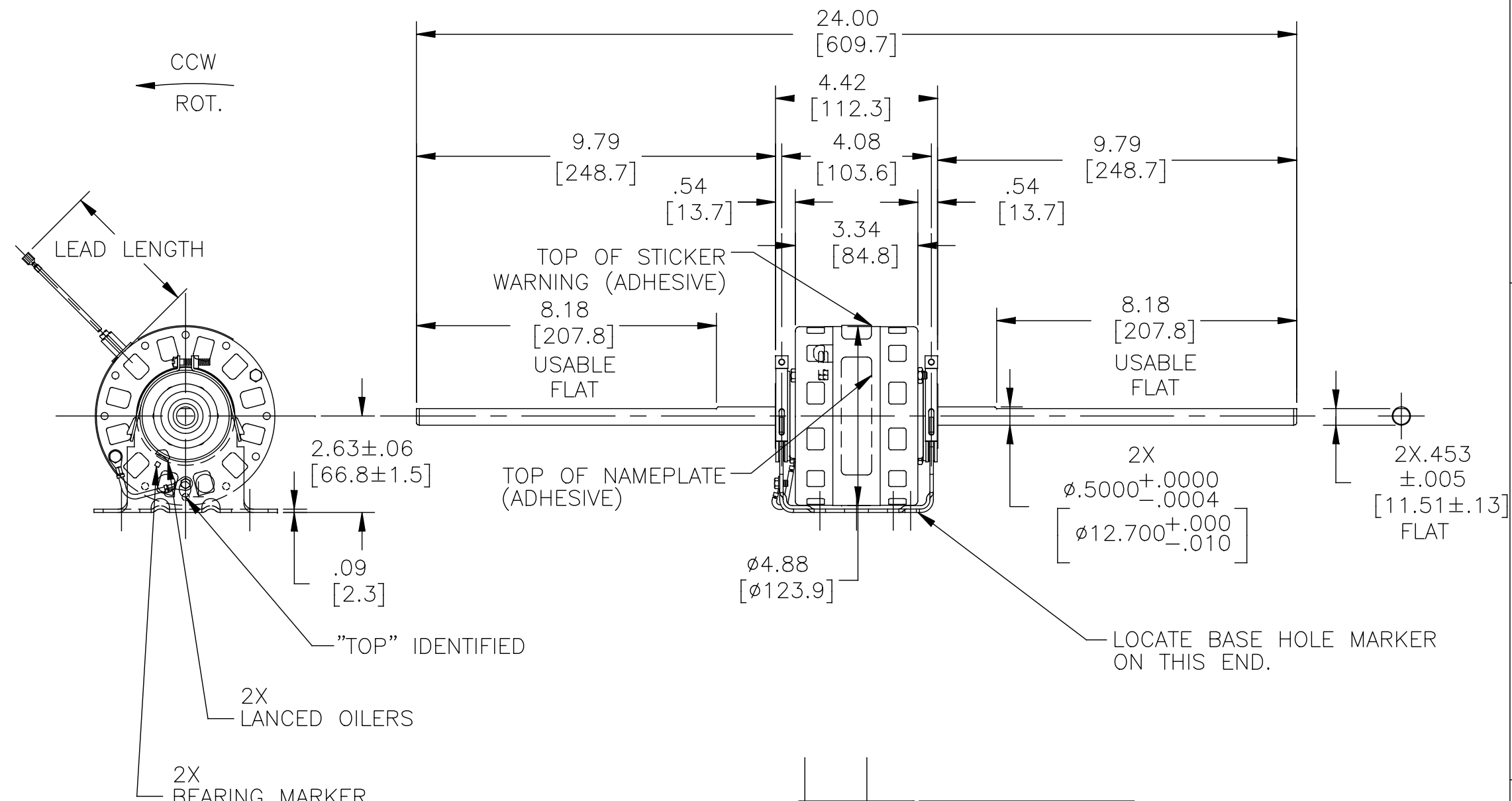
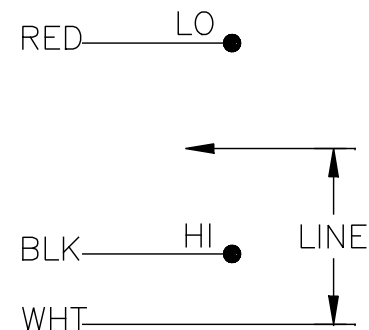
NOTES:  
1. DISTRIBUTION PART NUMBER: DBL64062  
GRAINGER PART NUMBER: 4LY99

SEE NOTE 1

NAMEPLATE DATA:

MODEL NO.: B42A84A01  
CUST. P/N:   
HP: 1/10  
ROT.: CCWLE  
RPM: 1050/2 SPD  
TYPE: FE  
FRAME: 42Y  
VOLTS: 115  
PH: 1  
AMPS: 3.7  
HZ: 60  
INS.: B  
AMB.: 40°C  
DUTY: AIR OVER  
CAP.: -  
ENCL: -  
UL LOGO  
CSA LOGO  
THERMALLY PROTECTED

EXTERNAL CONNECTION DIAGRAM



GREEN(GRD)	CONNECTED TO BASE	#10 EYELET
RED	38.5/41.5 [978/1054]	.25[6.4] FEMALE SPADE
BLACK	38.5/41.5 [978/1054]	.25[6.4] FEMALE SPADE
WHITE	38.5/41.5 [978/1054]	.25[6.4] FEMALE SPADE
COLOR	LENGTH	TERMINAL OR STRIP LENGTH

MAIN FRAME - OLE	OPEN
END FRAME - OLE	OPEN
MAIN FRAME - LE	OPEN
END FRAME - LE	OPEN

CUSTOMER DISTRIBUTION SERVICES

PERFORMANCE CURVE NO.	TORQUE @ 1050 RPM (25°C)	APPROVED SAMPLE	UL COMPONENT FILE #	CCN #	CSA FILE #	CLASS #
C32236	8.8 OZ. FT.	0442800A	E46412	PRGY2	LR43341	4211-01

DRAWING REVISION F	REVISION BY J. RUPERT	DATE 08-01-2016
ECO-0106896	APPROVED BY J. RUPERT	DATE 08-01-2016
ECO DESCRIPTION CORRECT TOP OF NAMEPLATE & WARNING ST.		

DRAWN BY: GORDON	REGAL™ Regal Beloit America, Inc.	
DATE: 06-24-2004	DESCRIPTION MODEL-RFHP-42FR OUTLINE	
APPROVED BY: PIATT	MATERIAL	PROCESS/FINISH
DATE: 06-29-2004		
REFERENCE	SIZE DWG NO	SHEET
THIRD ANGLE PROJECTION	C DBL64062	1

COPYRIGHT REGAL BELOIT AMERICA, INC. ALL RIGHTS RESERVED. PROPRIETARY AND CONFIDENTIAL INFORMATION - THIS DOCUMENT IS THE PROPERTY OF REGAL BELOIT AMERICA, INC. (OWNER) AND CONTAINS OWNER'S PROPRIETARY INFORMATION. ANY PERSON, CORPORATION OR OTHER FIRM RECEIVING IT IS DEEMED, BY RECEIVING IT, TO AGREE THAT IT, AND/OR ANY PART OF IT, SHALL NOT BE DISCLOSED TO ANY PERSON, CORPORATION OR OTHER ENTITY, DUPLICATED, AND/OR USED, EXCEPT AS EXPRESSLY APPROVED IN WRITING IN ADVANCE BY OWNER. THIS DOCUMENT SHALL BE RETURNED TO OWNER UPON REQUEST. IT MAY BE SUBJECT TO CERTAIN RESTRICTIONS UNDER APPLICABLE EXPORT CONTROL LAWS AND REGULATIONS.