

4

3

2

1

GENERAL INFORMATION:

SHAFT RUNOUT: .001 [.03]T.I.R. PER INCH LENGTH OF EXTENSION

END PLAY: .010[.25] TO .063[1.60]

BEARINGS: SLEEVE

MOUNTING POSITION: HORIZONTAL

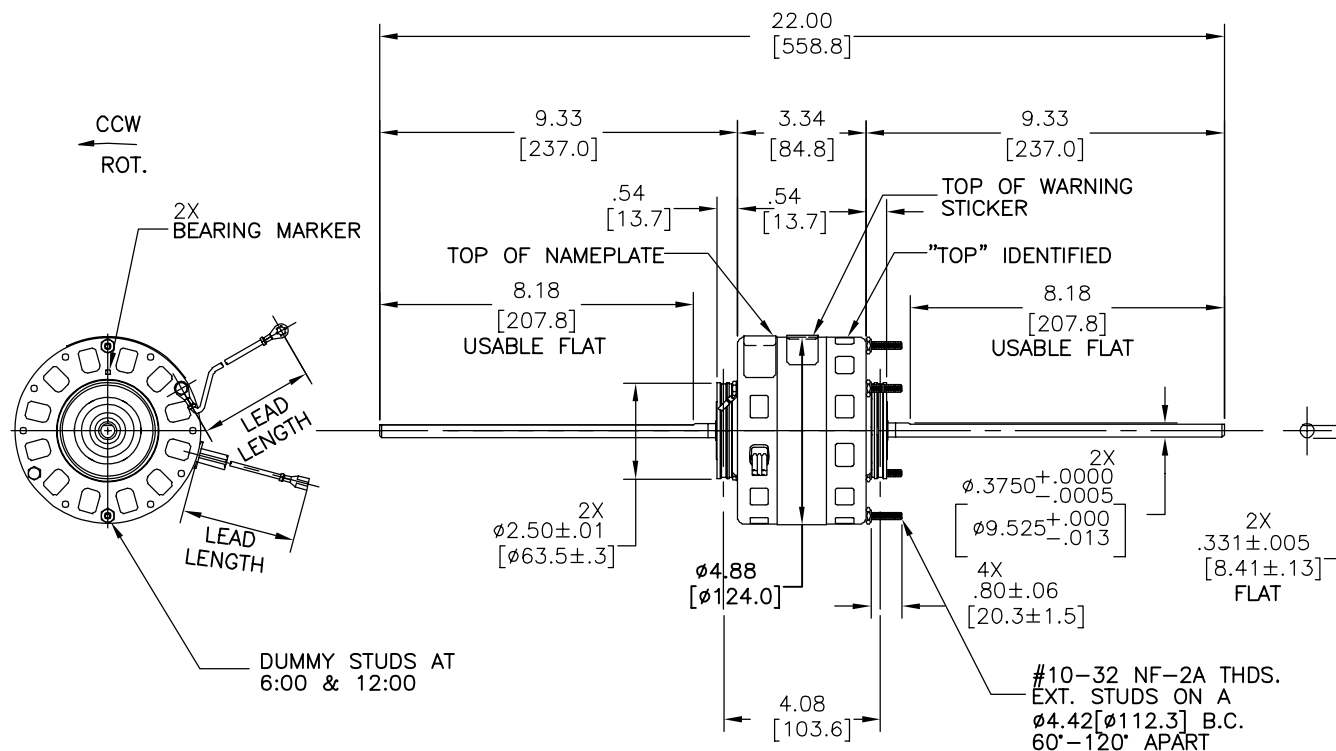
ELECTRICAL DATA:

OVERLOAD PROTECTOR: AUTOMATIC RESET (T.I. 7AM 304)

LEADS: NO. 18 GA., .03 [.8] THK. 125°C X-LINKED INSUL.

GROUND LEAD: NO. 18 GA., .03 [.8] THK. (GREEN) INSUL.

REV	ECO	REV BY	DATE	APPD	DATE
D	0025542	L.HEREDIA	04-25-2012	D.BALDERRAMA	04-25-2012



COLOR	LENGTH	TERMINAL OR STRIP LENGTH
GREEN (GRD)	3/5 [76/127]	#8 EYELET
RED	38.5/41.5 [978/1054]	.25[6.4] FEMALE SPADE
ORANGE	38.5/41.5 [978/1054]	.25[6.4] FEMALE SPADE
BLUE	38.5/41.5 [978/1054]	.25[6.4] FEMALE SPADE
BLACK	38.5/41.5 [978/1054]	.25[6.4] FEMALE SPADE
WHITE	38.5/41.5 [978/1054]	.25[6.4] FEMALE SPADE

NOTE:  
 1. 1X MOUNTING BASE  
 2X MOUNTING CLAMP ASSEMBLIES & 1X SCEW TO BE SHIPPED SEPARATELY IN EACH CARTON WITH MOTOR  
 2. DISTRIBUTION PART NUMBER: DBL4411  
 GRAINBER PART NUMBER: 4UU45

MAIN FRAME - OLE	OPEN
END FRAME - OLE	OPEN
MAIN FRAME - LE	OPEN
END FRAME - LE	OPEN

CUSTOMER	DISTRIBUTION SERVICE
----------	----------------------

NAMEPLATE DATA: SEE NOTE 2

EXTERNAL CONNECTION DIAGRAM

MODEL NO.: B42B07A01  
 CUST. P/N: [ ]  
 HP: 1/10  
 ROT: CCWLE  
 RPM: 1550/4 SPD.  
 TYPE: FE  
 FRAME:  
 VOLTS:  
 PH: 1  
 AMPS: 3.5  
 HZ: 60  
 INS: A  
 AMB: 40C  
 DUTY: AIR OVER  
 CAP.: -  
 UL & CSA LOGO  
 THERMALLY PROTECTED TYPE C

RED — LO  
 ORG — ML  
 BLU — MH  
 BLK — HI  
 WHT — LINE

PERFORMANCE CURVE NO.	TORQUE @1550 RPM (25°C)	APPROVED SAMPLE	UL COMPONENT	CSA
FILE #	CCN #	FILE #	CLASS #	
C32330	6.6 OZ. FT.	0443464A	E46412 PRGY2	LR43341 4211-01

GEOMETRIC CHARACTERISTICS & SYMBOLS  
 ▽ FLATNESS  
 — STRAIGHTNESS  
 < ANGLARITY  
 ⊥ PERPENDICULARITY (SQUARENESS)  
 // PARALLELISM  
 ○ ROUNDNESS (CIRCULARITY)  
 ∅ CYLINDRICITY  
 △ PROFILE OF ANY SURFACE  
 ∩ PROFILE OF ANY LINE  
 / RUNOUT  
 ⊕ TRUE POSITION  
 ⊙ CONCENTRICITY  
 ≡ SYMMETRY  
 ASME Y14.5M 1994

REGAL-BELOIT CORPORATION (RBC) PROVIDES TECHNICAL ASSISTANCE TO OUR CUSTOMERS IN SEVERAL AREAS. SINCE RBC DOES NOT RECEIVE ALL DATA CONCERNING THE USE AND APPLICATION OF THE MOTOR, THE SUITABILITY OF THE MOTOR FOR THE APPLICATION MUST BE DETERMINED BY THE CUSTOMER.  
 DIMENSIONS WITHOUT TOLERANCES ARE FOR REFERENCE ONLY.

DR BY: GORDON 12-08-2004  
 APPD: PIATT 12-09-2004  
 EDS DATE 11-11-2011  
 FORMAT REV G  
 THIRD ANGLE PROJECTION  
 CONFIDENTIAL: THIS DRAWING AND ITS INFORMATION ARE THE EXCLUSIVE AND CONFIDENTIAL PROPERTY OF REGAL-BELOIT CORPORATION AND ARE NOT TO BE DISCLOSED, DUPLICATED, DISTRIBUTED OR OTHERWISE USED WITHOUT THE WRITTEN CONSENT OF REGAL-BELOIT CORPORATION. -ALL RIGHTS RESERVED.

REGAL-BELOIT CORPORATION

DESCRIPTION: OUTLINE

SIZE: C DWG NO: 11927-057

SCALE: NONE SHEET: 1

4

3

2

1

4

3

2

1

REVISION:	ECO	REVISADO POR:	FECHA:	APROBADO POR:	FECHA:
D	0025542	L.HEREDIA	04-25-2012	D.BALDERRAMA	04-25-2012

INFORMACION GENERAL:

OSCILACION DE FLECHA:.004 [.03]

JUEGO AXIAL: -

BALEROS: -

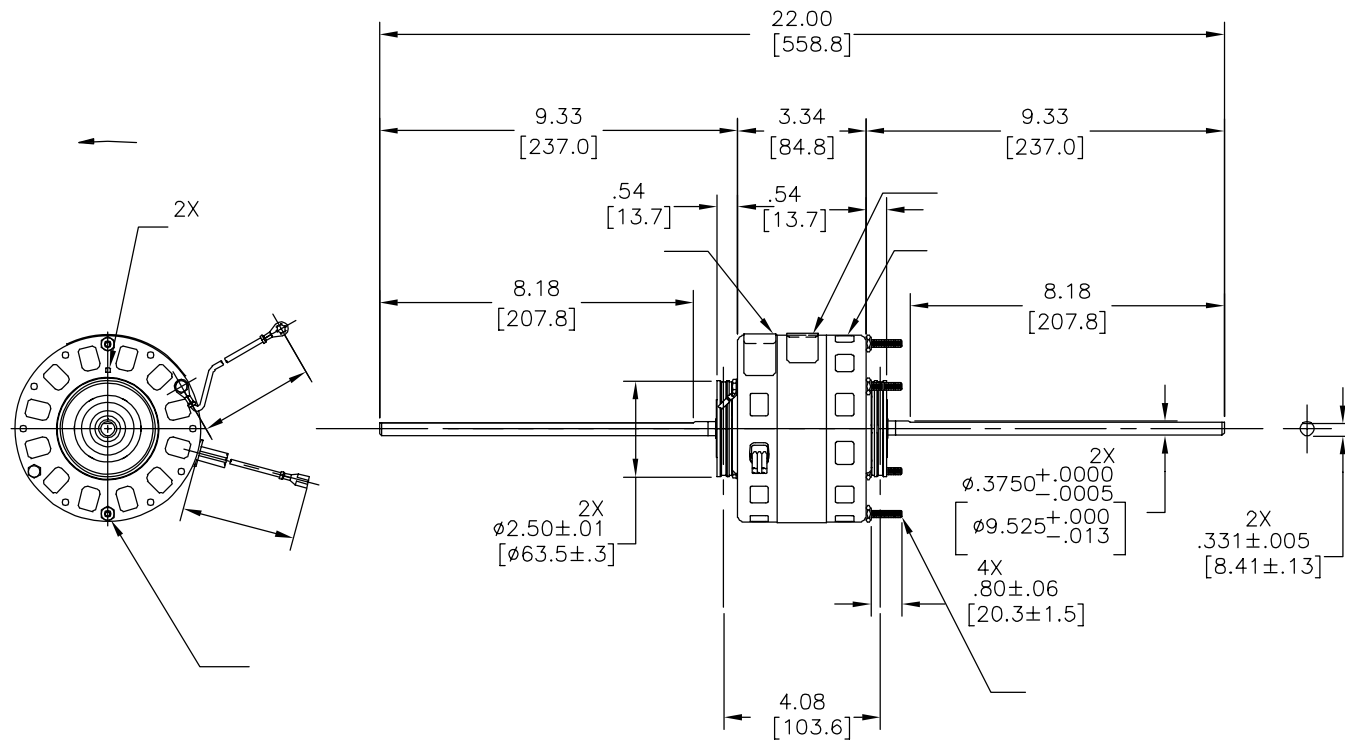
POSICION DEL MONTAJE: -

INFORMACION ELECTRICA:

PROTECTOR DE SOBRECARGA AUTOMATIC RESET (T.I. 7AM 304)

CABLES: -

CABLE DE TIERRA: -



SEE NOTE 2

INFORMACION DE ETIQUETA:	DIAGRAMA DE CONEXION EXTRNA
MODEL NO.: B42B07A01 CUST. P/N: [ ] [ ] [ ] [ ] [ ] [ ] HP: 1/10 ROT: CCWLE RPM: 1550/4 SPD. TYPE: FE FRAME: VOLTS: PH: 1 AMPS: 3.5 HZ: 60 INS: A AMB: 40C DUTY: AIR OVER CAP.: - UL & CSA LOGO THERMALLY PROTECTED TYPE C	

CURVAS DE FUNCIONAMIENTO	TORSION @ RPM (25C)	MUESTRA APROBADA	COMPONENTE UL	CSA
C32330	6.6 OZ. FT.	0443464A	E46412 PRGY2	LR43341 4211-01

	3/5	
	[76/127]	
	38.5/41.5	.25[6.4]
	[978/1054]	
	38.5/41.5	.25[6.4]
	[978/1054]	
	38.5/41.5	.25[6.4]
	[978/1054]	
	38.5/41.5	.25[6.4]
	[978/1054]	
	38.5/41.5	.25[6.4]
	[978/1054]	

CARCASA - LOC	
TAPA - LOC	
CARCASA - LC	
TAPA - LC	

CLIENTE	
---------	--

CARACTERISTICAS DE GEOMETRIA Y SIMBOLOS ▽ PLANICIDAD - RECTITUD < ANGULARIDAD ⊥ PERPENDICULARIDAD (A ESCUADRA) // PARALELISMO ○ REDONDEZ (CIRCULARIDAD) ∅ CILINDRICIDAD △ PERFIL DE CUALQUIER SUPERFICIE ▲ PERFIL DE CUALQUIER LINEA ↑ VARIACION ⊕ POSICION REAL ⊙ CONCENTRICIDAD ≡ SIMETRIA ASME Y14.5M 1994
---

REGAL-BELOIT CORPORATION (RBC) PROVEE ASISTENCIA TECNICA A NUESTROS CLIENTES EN VARIAS AREAS. DESDE QUE RBC NO RECIBE TODOS LOS DATOS EN RELACION AL USO Y LA APLICACION DEL MOTOR, LA APLICACION ADECUADA DEL MOTOR DEBE SER DETERMINADA POR EL CLIENTE.

DIMENSIONES SIN TOLERANCIA SON DE REFERENCIA SOLAMENTE

DIBUJADO POR: GORDON	12-08-2004
APROBADO POR: PIATT	12-09-2004
TERCER ANGULO DE PROYECCION	FECHA EDS: 11-11-2011 REV. FORMATO: G
CONFIDENCIAL: ESTE DIBUJO Y SU INFORMACION SON PROPIEDAD DE USO EXCLUSIVO Y CONFIDENCIAL DE REGAL-BELOIT CORPORATION. Y NO DEBERAN SER REVELADOS, DUPLICADOS, DISTRIBUIDOS O USARSE DE OTRA MANERA SIN EL CONSENTIMIENTO ESCRITO DE REGAL-BELOIT CORPORATION. -TODOS LOS DERECHOS RESERVADOS.	

DESCRIPCION: OUTLINE	
TAMAÑO: C	NUMERO DE DIBUJO: 11927-057
ESCALA: NONE	HOJA: 1

4

3

2

1

版本	ECO	编制	日期	批准	日期
D	0025542	L.HEREDIA	04-25-2012	D.BALDERRAMA	04-25-2012

总技术要求:

轴跳动: .001 [.03]

端部窜动量

轴承:

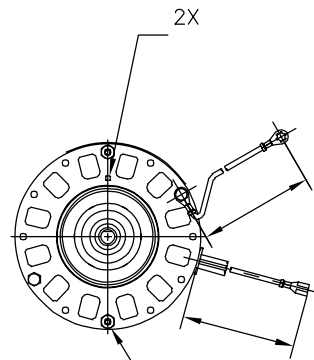
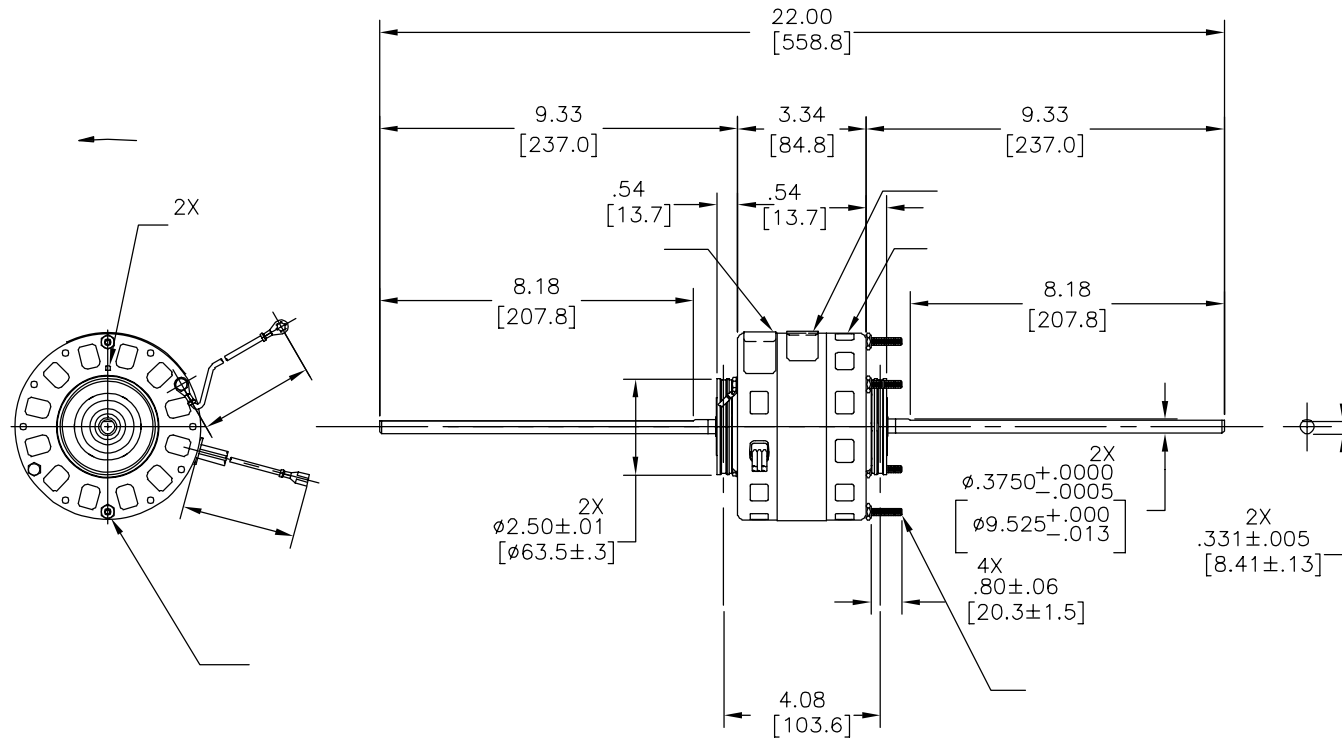
安装位置:

电气数据:

过载保护: AUTOMATIC RESET (T.I. 7AM 304)

引线:

接地线:



	3/5	
	[76/127]	
	38.5/41.5	.25[6.4]
	[978/1054]	
	38.5/41.5	.25[6.4]
	[978/1054]	
	38.5/41.5	.25[6.4]
	[978/1054]	
	38.5/41.5	.25[6.4]
	[978/1054]	
	38.5/41.5	.25[6.4]
	[978/1054]	

颜色	长度	端子或剥线长度
----	----	---------

无引线端机壳	
无引线端端盖	
有引线端机壳	
有引线端端盖	

用户	
----	--

铭牌数据	外部数据
MODEL NO.: B42B07A01 CUST. P/N: [ ] [ ] [ ] [ ] [ ] [ ] HP: 1/10 ROT: CCWLE RPM: 1550/4 SPD. TYPE: FE FRAME: VOLTS: PH: 1 AMPS: 3.5 HZ: 60 INS: A AMB: 40C DUTY: AIR OVER CAP.: - UL & CSA LOGO THERMALLY PROTECTED TYPE C	

性能曲线编号	转矩在 @ --- RPM (25°C)	批准样品	UL部件		CSA	
C32330	6.6 OZ. FT.	0443464A	文件号	指南	文件号	指南
			E46412	PRGY2	LR43341	4211-01

- 形位公差
- 平面度
- 直线度
- ∠ 倾斜度
- ⊥ 垂直度
- ∥ 平行度
- 圆度
- ⊘ 圆柱度
- ⌒ 面轮廓度
- ⌒ 线轮廓度
- ↻ 圆跳动
- ⊕ 位置度
- ⊙ 同轴度
- ≡ 对称度

ASME Y14.5M 1994

REGAL-BELOIT CORPORATION (RBC) 在个别领域为客户提供技术支持。鉴于 RBC 未收到任何涉及电机使用和 应用环境的数据，电机的适用性 由客户自己决定。

未注公差尺寸仅供参考。

绘图:	GORDON	12-08-2004
批准:	PIATT	12-09-2004

第三角投影		图纸格式发布日期 11-11-2011 图纸格式版本 G
-------	--	---------------------------------

机密: 本图纸及相关信息所有权归 REGAL-BELOIT CORPORATION 未经 REGAL-BELOIT CORPORATION 书面授权, 不得泄露、复制、传播或作其他用途。— 版权所有

名称		OUTLINE	
图幅	C	图号	11927-057
比例	NONE	页号	1

4

3

2

1

4

3

2

1