

4 3 2 1

GENERAL INFORMATION:

SHAFT RUNOUT: .001 [.03] T.I.R. PER INCH LENGTH OF EXTENSION

END PLAY: .010[.25] TO .063[1.60]

BEARINGS: SLEEVE

MOUNTING POSITION: HORIZONTAL

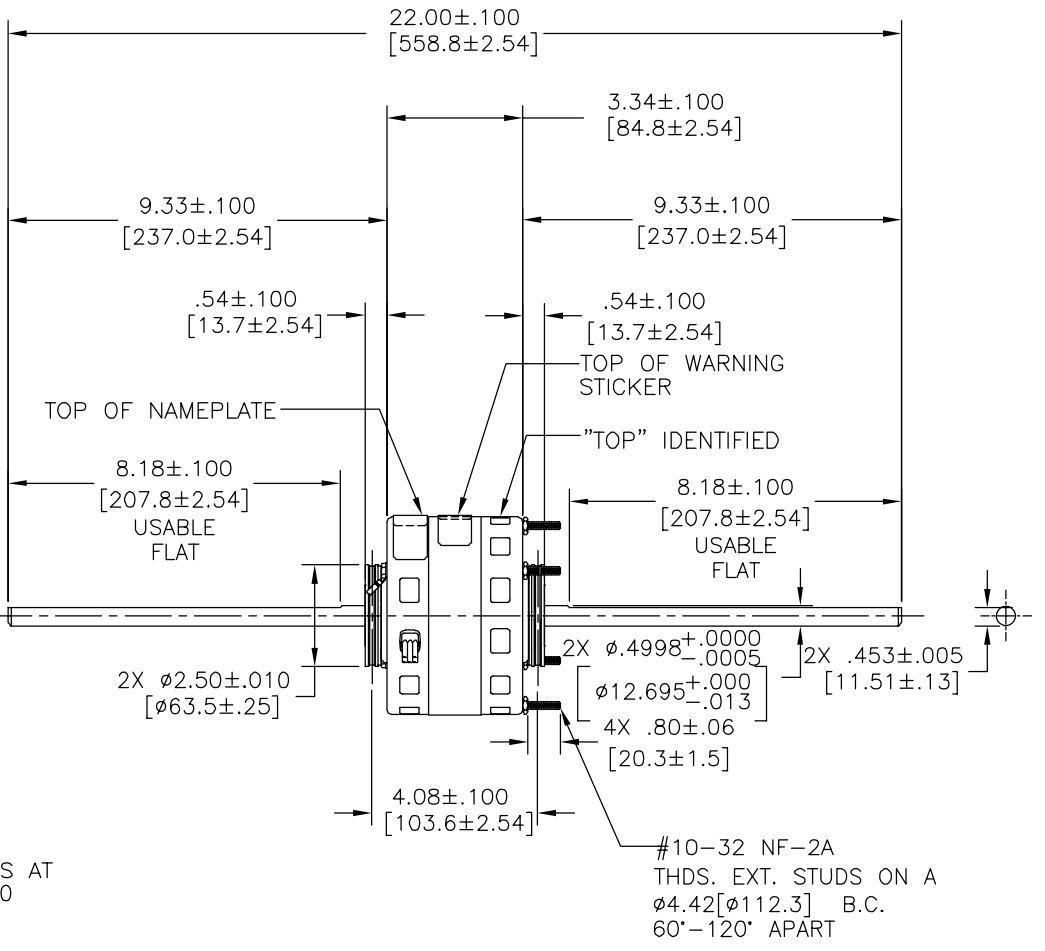
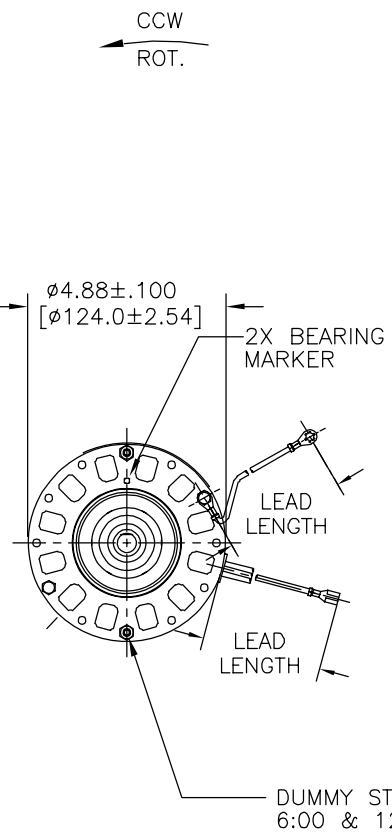
ELECTRICAL DATA:

OVERLOAD PROTECTOR: AUTOMATIC RESET (T.I. 7AM 034)

LEADS: NO. 18 GA., .03 [.8] THK., 125°C X-LINKED INSUL.

GROUND LEAD: NO. 18 GA., .03 [.8] THK. (GREEN) INSUL.

NOTE:  
DISTRIBUTION: CUST. P/N: DBL4410  
GRAINGER: CUST. P/N: 4UU44



SEE NOTE

NAMEPLATE DATA:	EXTERNAL CONNECTION DIAGRAM
MODEL NO.: B42A95A01 CUST. P/N: [ ] HP: 1/10 ROT.: CCWLE RPM: 1550/4 SPD TYPE: FE FRAME: 42Y VOLTS: 115 PH: 1 AMPS: 3.5 HZ: 60 INS.: A AMB.: 40°C DUTY: AIR OVER CAP.: - UL & CSA LOGO THERMALLY PROTECTED TYPE C	

NOTES\*  
1. MOUNTING BASE, 2X MOUNTING CLAMP ASSEMBLIES & SCREW TO BE SHIPPED SEPARATELY IN EACH CARTON WITH MOTOR.

COLOR	LENGTH	TERMINAL OR STRIP LENGTH
GREEN(GRD)	3.0/5.0 [76/127]	#8 EYELET
RED	38.5/41.5 [978/1054]	.25 [6.4] FEMALE SPADE
ORANGE	38.5/41.5 [978/1054]	.25 [6.4] FEMALE SPADE
BLUE	38.5/41.5 [978/1054]	.25 [6.4] FEMALE SPADE
BLACK	38.5/41.5 [978/1054]	.25 [6.4] FEMALE SPADE
WHITE	38.5/41.5 [978/1054]	.25 [6.4] FEMALE SPADE

REGAL-BELOIT CORPORATION (RBC) PROVIDES TECHNICAL ASSISTANCE TO OUR CUSTOMERS IN SEVERAL AREAS. SINCE RBC DOES NOT RECEIVE ALL DATA CONCERNING THE USE AND APPLICATION OF THE MOTOR, THE SUITABILITY OF THE MOTOR FOR THE APPLICATION MUST BE DETERMINED BY THE CUSTOMER.

DIMENSIONS WITHOUT TOLERANCES ARE FOR REFERENCE ONLY.	
MAIN FRAME - OLE	OPEN
END FRAME - OLE	OPEN
MAIN FRAME - LE	OPEN
END FRAME - LE	OPEN

PERFORMANCE CURVE NO.	TORQUE @ 1075 RPM (25°C)	APPROVED SAMPLE	UL COMPONENT FILE #	CCN #	CSA FILE #	CLASS #
C32330	6.6 OZ. FT.	0443464A	E46412	PRGY2	LR43341	4211-01

DRAWING REVISION	REVISION BY	DATE
E	J.AGUILERA	06-13-2014
ECO	APPROVED BY	DATE
0052535	D.VALENCIANO	06-13-2014

TOLERANCES UNLESS OTHERWISE SPECIFIED:  
 DEC. INCH DIM. ANGLE  
 .X ±0.1 (±2.5) ±0.5°  
 .XX ±0.02 (±0.51)  
 .XXX ±0.005 (±0.127)  
 .XXXX ±0.0005 (±0.0127)  
 REMOVE BURRS & BREAK SHARP EDGES .003/.015 (.076/.381)  
 CORNER FILLETS .02 (.51)  
 MACHINED SURFACES 125/32 INCH/mm SHOWN IN [BRACKETS]

DRAWN BY:	DATE:
S. RECKERS	08-13-2004
APPROVED BY:	DATE:
G.PIATT	08-31-2004

DESCRIPTION	MATERIAL	PROCESS/FINISH
MODEL-RFHP-42FR OUTLINE		
THIRD ANGLE PROJECTION	SIZE DWG NO. DBL4410	SHEET 1

4 3 2 1