

GENERAL INFORMATION:

SHAFT RUNOUT: .001[.03] T.I.R. PER INCH LENGTH OF EXTENSION

END PLAY: .010 TO .063[.25 TO 1.60]

BEARINGS: SLEEVE

MOUNTING POSITION: HORIZONTAL

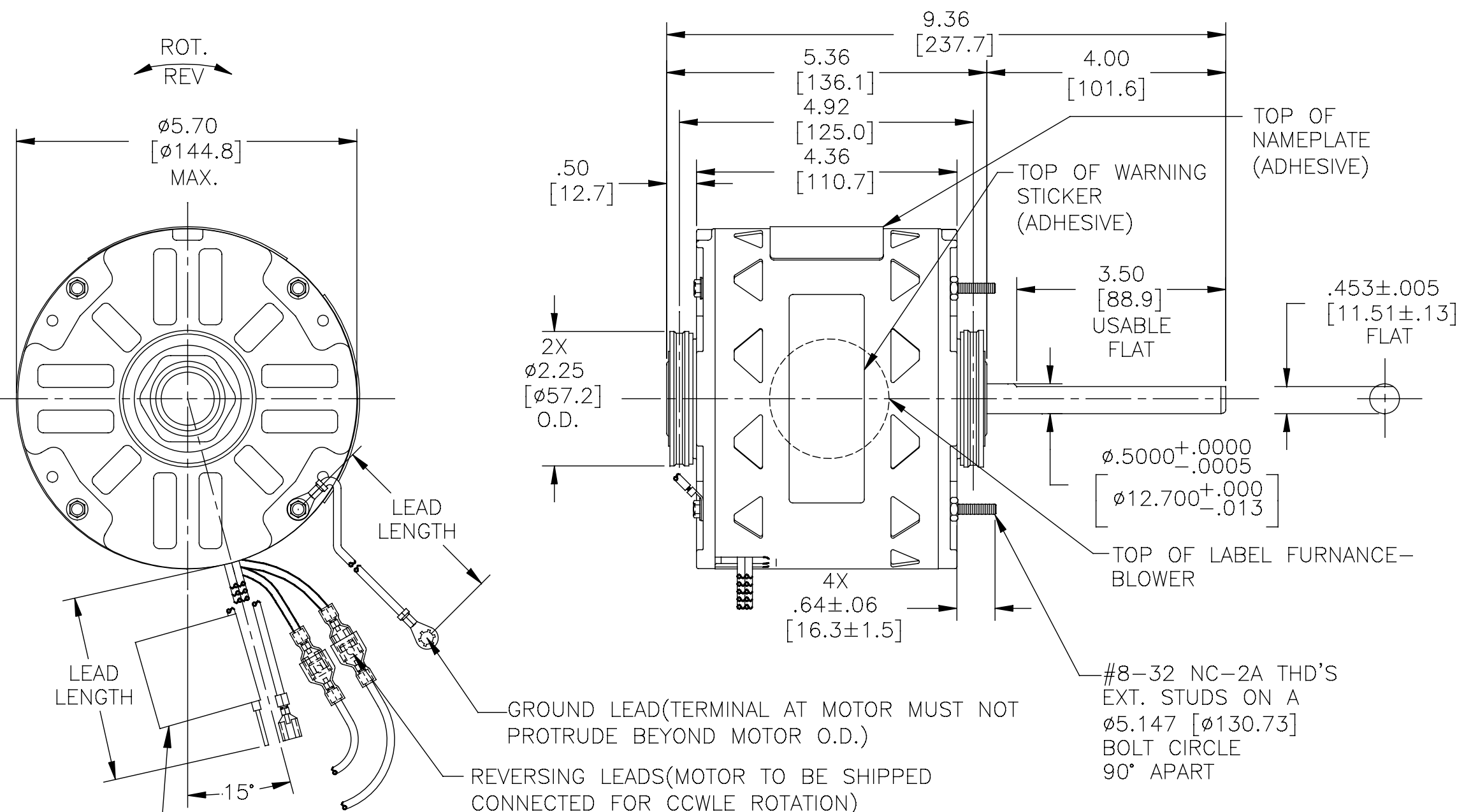
ELECTRICAL DATA:

OVERLOAD PROTECTOR: AUTOMATIC RESET (SENSATA 7AM 036)

LINE LEADS: NO. 18 GA., .03[.8] THK.,125°C INSUL.

REVERSING LEADS: NO. 18 GA., .03[.8] THK.,CROSS-LINKED POLYETHELENE 125°C INSUL.

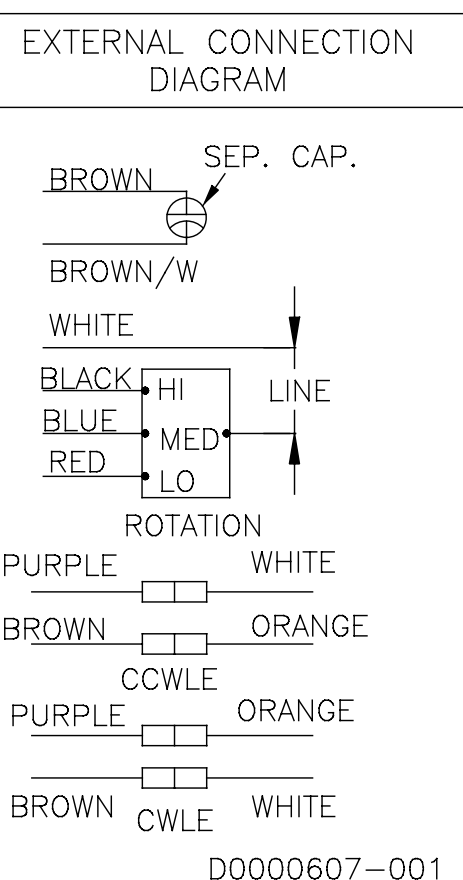
GROUND LEADS: NO. 18 GA., .03[.8] THK.,(GREEN)INSUL.



SEE NOTES 2

NAMEPLATE DATA:

MODEL: F48H03A01  
 CUST. P/N: D1036  
 HP: 1/3  
 ROT: REVERSIBLE  
 RPM: 1075/3 SPD  
 TYPE: UF  
 FRAME: 48  
 VOLTS: 208-230  
 PH: 1  
 AMPS: 2.7  
 HZ: 60  
 INS: B  
 AMB: 40 °C  
 DUTY: AIR OVER  
 CODE: -  
 CAP.: 5 MFD/370V  
 ENCL: OPEN  
 UL LOGO  
 CSA LOGO  
 THERMALLY PROTECTED



LEAD DATA		
COLOR	LENGTH	TERMINAL OR STRIP LENGTH
RED	25.0/27.0 [635/686]	.60[15.2] SKIN
BLUE	25.0/27.0 [635/686]	.60[15.2] SKIN
BLACK	25.0/27.0 [635/686]	.60[15.2] SKIN
WHITE	25.0/27.0 [635/686]	.60[15.2] SKIN
BROWN/WHITE	25.0/27.0 [635/686]	.25[6.4] FEMALE SPADE
BROWN	25.0/27.0 [635/686]	.25[6.4] FEMALE SPADE
BROWN (REV)	4.0/6.0 [102/152]	.25[6.4] PER-INSUL. FEMALE SPADE
ORANGE (REV)	4.0/6.0 [102/152]	.25[6.4] PER-INSUL. MALE TAB
PURPLE (REV)	4.0/6.0 [102/152]	.25[6.4] PER-INSUL. FEMALE SPADE
WHITE (REV)	4.0/6.0 [102/152]	.25[6.4] PER-INSUL. MALE TAB
GREEN (GRD)	9.0/11.0 [229/279]	10# EYELET

NOTES:

- SPLIT RING ADAPTOR 615035 (4 REQ'D) TO BE PACKED WITH EACH MOTOR.
- ATTACH WARNING/CONNECTION LABEL TO COMMON (WHITE) LEAD APPROX. 2.0[51] FROM MOTOR (ADHESIVE).

REGAL-BELOIT CORPORATION (RBC) PROVIDES TECHNICAL ASSISTANCE TO OUR CUSTOMERS IN SEVERAL AREAS. SINCE RBC DOES NOT RECEIVE ALL DATA CONCERNING THE USE AND APPLICATION OF THE MOTOR, THE SUITABILITY OF THE MOTOR FOR THE APPLICATION MUST BE DETERMINED BY THE CUSTOMER.

DIMENSIONS WITHOUT TOLERANCES ARE FOR REFERENCE ONLY.

ENCLOSURE	
END FRAME - LE	OPEN
MAIN FRAME - LE	OPEN
END FRAME - OLE	OPEN
MAIN FRAME - OLE	OPEN

CUSTOMER	DISTRIBUTION SERVICES
----------	-----------------------

PERFORMANCE CURVE NO.	TORQUE @ 1075 RPM (25°C)	APPROVED SAMPLE	UL COMPONENT FILE #	CCN #	CSA FILE #	CLASS #
C0000745	39.5 OZ.FT.	X-0003284B	E46412	PRGY2	LR43341	4211-01

DRAWING REVISION J	REVISION BY J.ZHU	DATE 09-13-2015
ECO-0084773	APPROVED BY C.ZHANG	DATE 09-13-2015
SEE ECO		

COPYRIGHT REGAL-BELOIT AMERICA, INC. ALL RIGHTS RESERVED. PROPRIETARY AND CONFIDENTIAL INFORMATION - THIS DOCUMENT IS THE PROPERTY OF REGAL-BELOIT AMERICA, INC. (OWNER) AND CONTAINS OWNER'S PROPRIETARY INFORMATION. ANY PERSON, CORPORATION OR OTHER FIRM RECEIVING IT IS DEEMED, BY RECEIVING IT, TO AGREE THAT IT, AND/OR ANY PART OF IT, SHALL NOT BE DISCLOSED TO ANY PERSON, CORPORATION OR OTHER ENTITY, DUPLICATED, AND/OR USED, EXCEPT AS EXPRESSLY APPROVED IN WRITING IN ADVANCE BY OWNER. THIS DOCUMENT SHALL BE RETURNED TO OWNER UPON REQUEST. IT MAY BE SUBJECT TO CERTAIN RESTRICTIONS UNDER APPLICABLE EXPORT CONTROL LAWS AND REGULATIONS.

DRAWN BY: W. HEATH	
DATE: 07-23-1996	
APPROVED BY: TPR	
DATE: 07-26-1996	
PROCESS/FINISH: -	
THIRD ANGLE PROJECTION	SIZE DWG NO C

<b>Regal Beloit America, Inc.</b>	
DESCRIPTION	MODEL-RFHP-48FR OUTLINE
MATERIAL	-
SIZE DWG NO	D1036
SHEET	1