

GENERAL INFORMATION:

SHAFT RUNOUT: .001[.03] T.I.R. PER INCH LENGTH OF EXTENSION

END PLAY: .010 TO .063[.25 TO 1.60]

BEARINGS: SLEEVE

MOUNTING POSITION: HORIZONTAL

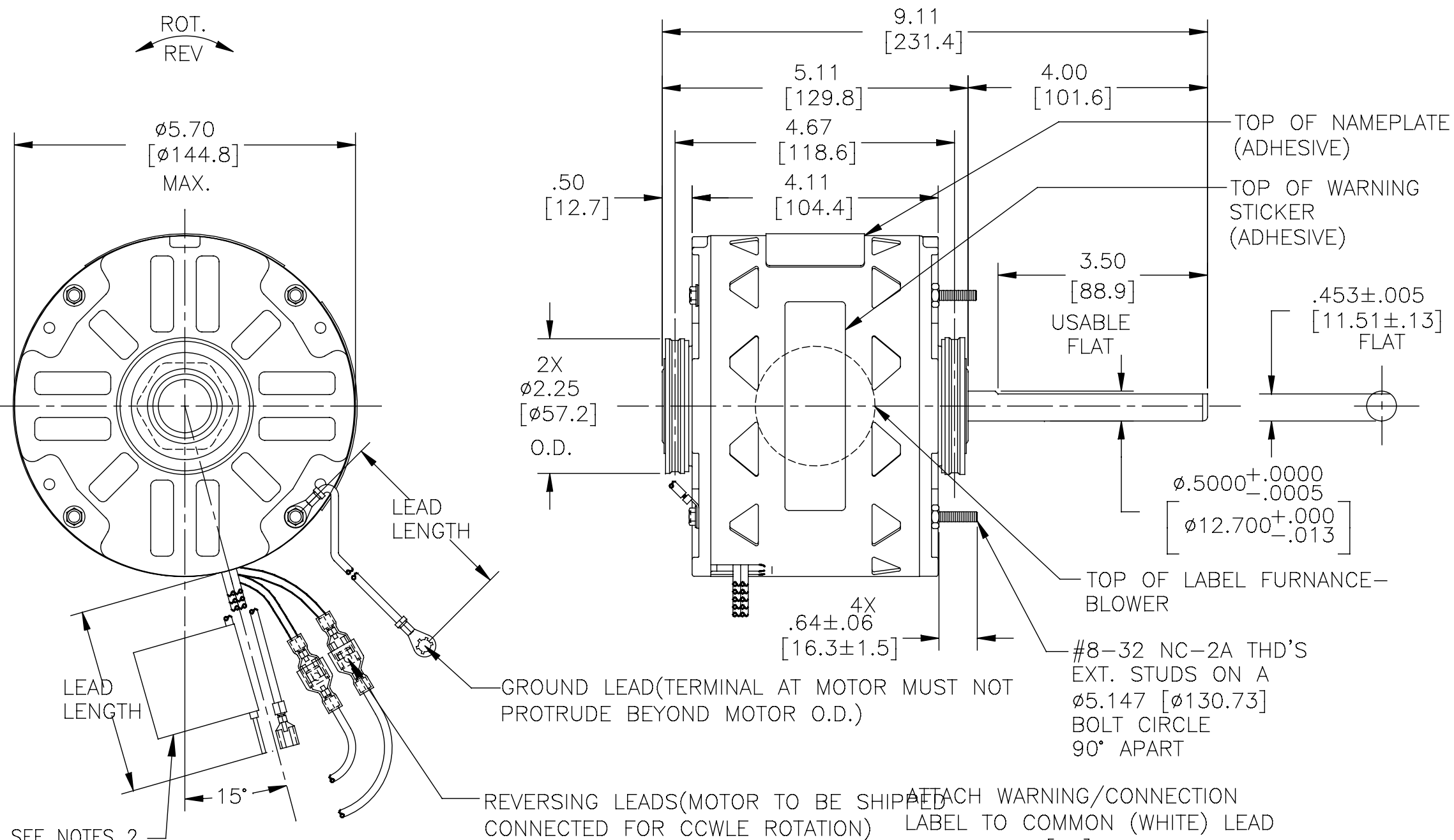
ELECTRICAL DATA:

OVERLOAD PROTECTOR: AUTOMATIC RESET (SENSATA 7AM 036)

LEADS: NO. 18 GA., .03[.8] THK.,XLP 125°C INSUL.

REVERSING LEADS: NO. 18 GA., .03[.8] THK., XLP 125°C INSUL.

GROUND LEAD: NO. 18 GA., .03[.8] THK.,(GREEN)INSUL.



SEE NOTES 2

LEAD DATA		
COLOR	LENGTH	TERMINAL OR STRIP LENGTH
RED	25.0/27.0 [635/686]	.60[15.2] SKIN
BLUE	25.0/27.0 [635/686]	.60[15.2] SKIN
BLACK	25.0/27.0 [635/686]	.60[15.2] SKIN
WHITE	25.0/27.0 [635/686]	.60[15.2] SKIN
BROWN/WHITE	25.0/27.0 [635/686]	.25[6.4] FEMALE SPADE
BROWN	25.0/27.0 [635/686]	.25[6.4] FEMALE SPADE
BROWN (REV)	4.0/6.0[102/152]	.25[6.4] PRE-INSUL. FEMALE SPADE
ORANGE(REV)	4.0/6.0[102/152]	.25[6.4] PRE-INSUL. FEMALE SPADE
PURPLE(REV)	4.0/6.0[102/152]	.25[6.4] PRE-INSUL. FEMALE SPADE
WHITE (REV)	4.0/6.0[102/152]	.25[6.4] PRE-INSUL. FEMALE SPADE
GREEN (GRD)	9.0/11.0 [229/279]	10# EYELET

NOTES:

- SPLIT RING ADAPTOR 615035 (4 REQ'D) TO BE PACKED WITH EACH MOTOR.
- ATTACH WARNING/CONNECTION LABEL TO COMMON (WHITE) LEAD APPROX. 2.0[51] FROM MOTOR (ADHESIVE).

REGAL-BELOIT CORPORATION (RBC) PROVIDES TECHNICAL ASSISTANCE TO OUR CUSTOMERS IN SEVERAL AREAS. SINCE RBC DOES NOT RECEIVE ALL DATA CONCERNING THE USE AND APPLICATION OF THE MOTOR, THE SUITABILITY OF THE MOTOR FOR THE APPLICATION MUST BE DETERMINED BY THE CUSTOMER.

DIMENSIONS WITHOUT TOLERANCES ARE FOR REFERENCE ONLY.

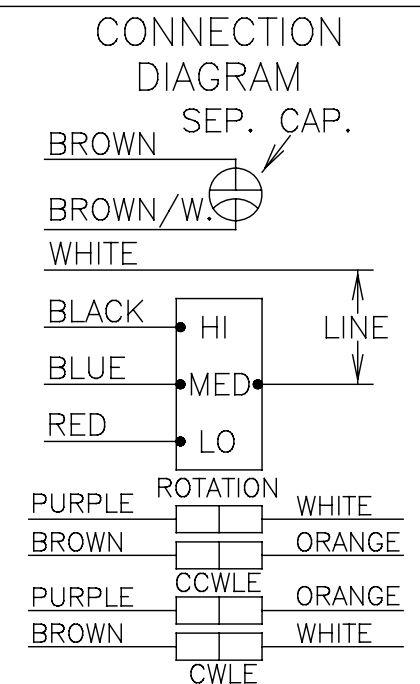
ENCLOSURE	
END FRAME - LE	OPEN
MAIN FRAME - LE	OPEN
END FRAME - OLE	OPEN
MAIN FRAME - OLE	OPEN

CUSTOMER	DISTRIBUTION SERVICES
----------	-----------------------

NAMEPLATE DATA:

MODEL: F48AE38A01
 CUST. P/N: D1026
 HP: 1/4
 ROT: REVERSIBLE
 RPM: 1075/3 SPD
 TYPE: UF
 FRAME: 48
 VOLTS: 208-230
 PH: 1
 AMPS: 2.0
 HZ: 60
 INS: B
 AMB: 40°C
 DUTY: AIR OVER
 CODE: -
 CAP.: 5 MFD/370V
 ENCL: OPEN
 UL LOGO
 CSA LOGO
 THERMALLY PROTECTED

EXTERNAL CONNECTION DIAGRAM



D0000607-001

PERFORMANCE CURVE NO.	TORQUE @ 1075 RPM (25°C)	APPROVED SAMPLE	UL COMPONENT		CSA	
			FILE #	CCN #	FILE #	CLASS #
C0000780	25.8 OZ.FT.	X-0002749	E46412	PRGY2	LR43341	4211-01

DRAWING REVISION	REVISION BY	DATE
F	J.ZHU	09-13-2015
ECO	APPROVED BY	DATE
ECO-0084773	C.ZHANG	09-13-2015
ECO DESCRIPTION		
SEE ECO		

COPYRIGHT REGAL-BELOIT AMERICA, INC. ALL RIGHTS RESERVED. PROPRIETARY AND CONFIDENTIAL INFORMATION - THIS DOCUMENT IS THE PROPERTY OF REGAL-BELOIT AMERICA, INC. (OWNERS) AND CONTAINS OWNERS PROPRIETARY INFORMATION. ANY PERSON, CORPORATION OR OTHER FIRM RECEIVING IT IS DEEMED, BY RECEIVING IT, TO AGREE THAT IT, AND/OR ANY PART OF IT, SHALL NOT BE DISCLOSED TO ANY PERSON, CORPORATION OR OTHER ENTITY, DUPLICATED, AND/OR USED, EXCEPT AS EXPRESSLY APPROVED IN WRITING IN ADVANCE BY OWNER. THIS DOCUMENT SHALL BE RETURNED TO OWNER UPON REQUEST. IT MAY BE SUBJECT TO CERTAIN RESTRICTIONS UNDER APPLICABLE EXPORT CONTROL LAWS AND REGULATIONS.

DRAWN BY:	J. ZHU
DATE:	02-20-2013
APPROVED BY:	B. SHEN
DATE:	02-20-2013
PROCESS/FINISH:	-
THIRD ANGLE PROJECTION	

REGAL™ Regal Beloit America, Inc.	
DESCRIPTION	MODEL-RFHP-48FR OUTLINE
MATERIAL	-
SIZE	DWG NO
C	D1026
SHEET	1